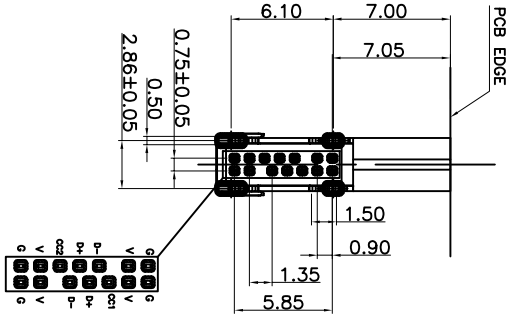
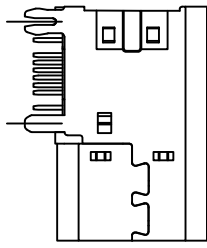
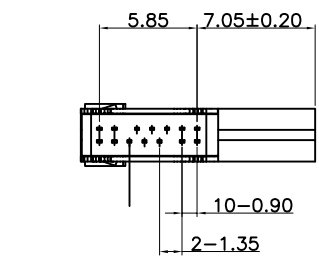
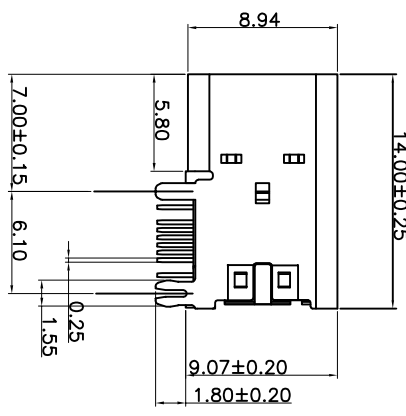
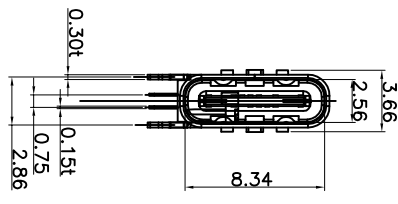
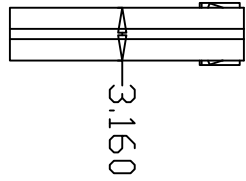


ROHS

客户图

目錄 MAPX	变更内容 MODIFICATION	日期 DATE
A0	NEW	09-10-20

PCB板厚建议1.3~1.6MM



A1	GND	B12	GND
A4	VBUS	B9	VBUS
A5	CC1	B7	DN2
A6	DP1	B6	DP2
A7	DN1	B5	CC2
A9	VBUS	B4	VBUS
A12	GND	B1	GND
PIN	SIGNAL NAME	PIN	SIGNAL NAME

- SPECIFICATIONS:
- MECHANICAL:
 - INSERTION FORCE: 5N~20N
 - WITHDRAWAL FORCE: 8N~20N
AFTER 10,000 CYCLES MATING: 2N MIN.
 - ELECTRICAL:
 - CONTACT CURRENT RATING: 3A.
 - VOLTAGE RATING: 30V AC (rms)
 - WITHSTANDING VOLTAGE: 100 VAC FOR 1 MINUTE.
INSULATION RESISTANCE: 100 MEGOHMS MIN.
 - CONTACT RESISTANCE: 40 MILLIOHMS MAX.
 - ENVIRONMENTAL:
 - OPERATING TEMPERATURE: -25° C TO +85° C

7					
6					
5					
4	TYPE C MD	HIGH TEMP	BLACK	UL 94V-0	
3	CENTER PIECE	STAINLESS STEEL	—	NO Plated	
2	TYPE C TERMINAL	COPPER ALLOY	—	Gold Plated	
1	SHELL	STAINLESS STEEL	—	Ni Plated	
NO.	DESCRIPTION	MATERIAL	COLOR	REMARK	

产品图

深圳市鑫风雷电子有限公司

公差一览表 TOLERANCE UNLESS OTHERWISE SPECIFIED		单位 UNITS	MM	制图 DRAWING	王冠	产品料号 PRODUCT PART NO.	01008-UCAP002-X
X	±0.30	X'	±5'	审核 CHECK	雷永健	产品名称 PRODUCT NO.	TYPE C母座侧插14P针长1.7
.XX	±0.25	.X'	±2'	批准 APPRO	雷永健	角法 VIEW	版本 VER
.XXX	±0.30	.XX'	±1'	日期 DATE	2009/10/20		A0
	±0.15	.XXX'	±0.5'				