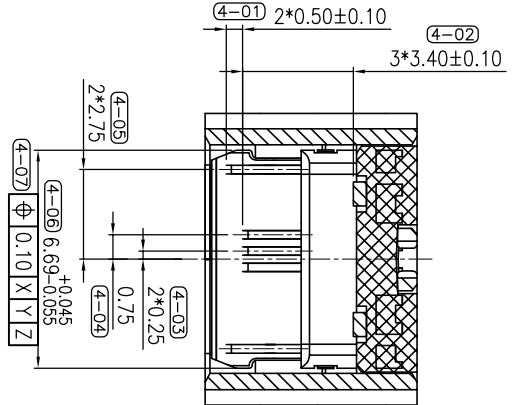
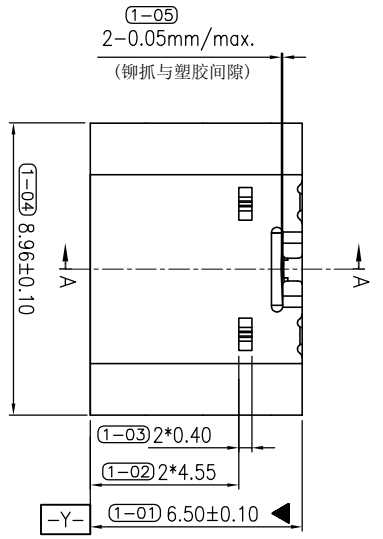
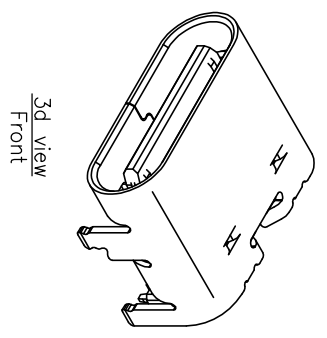


ROHS 客户图

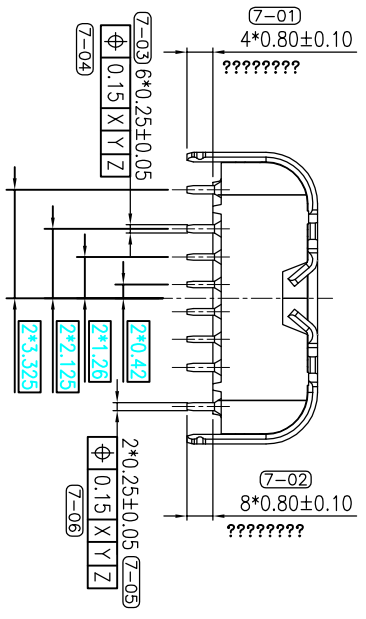
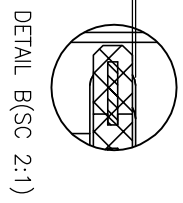
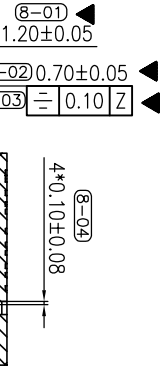
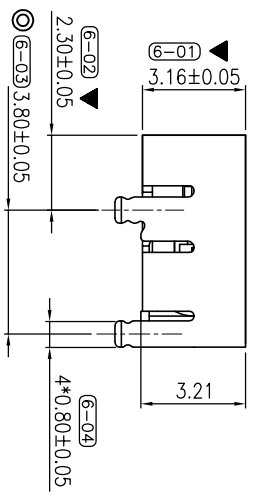
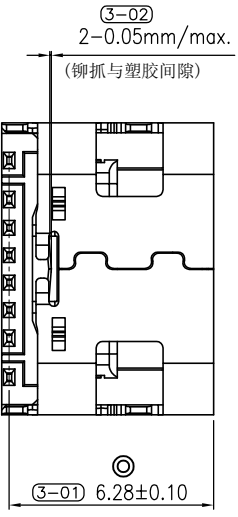
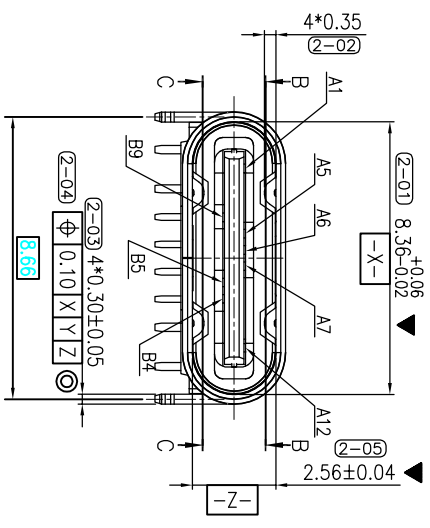
目錄 MAPX	变更内容 MODIFICATION	日期 DATE
A0	NEW	09-10-20



SECTION:B-B



3d view
Front view



产品图

公差一览表
TOLERANCE UNLESS OTHERWISE SPECIFIED

公差	单位
±0.30	mm
±0.25	mm
±0.20	mm
±0.15	mm
±0.10	mm
±0.05	mm

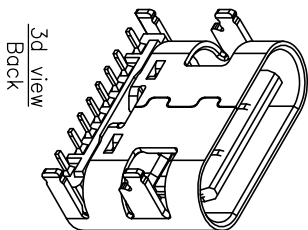
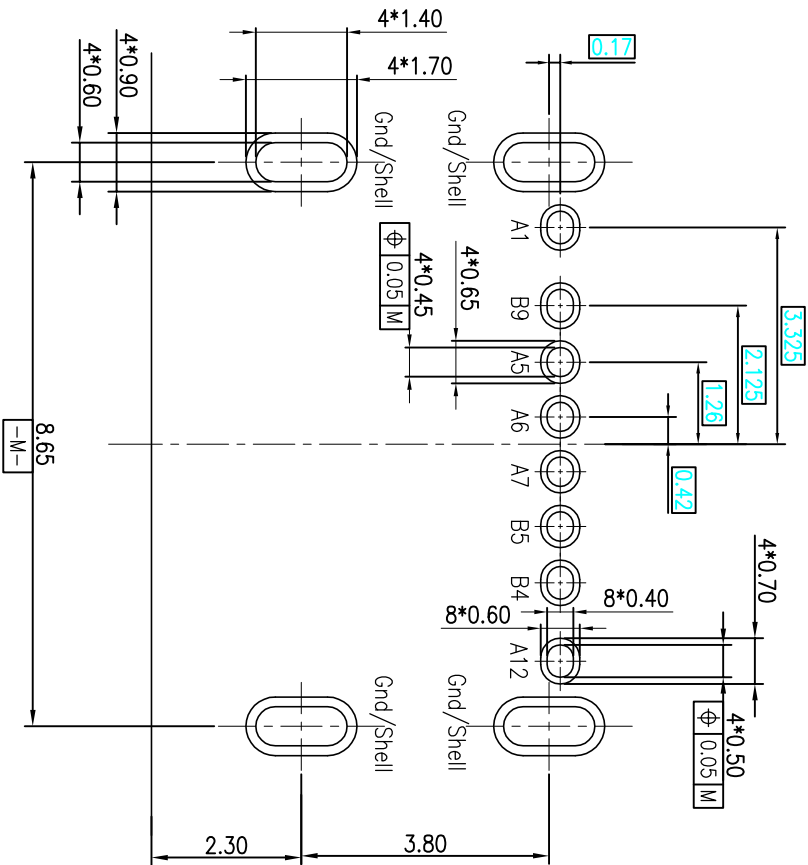
深圳市鑫风雷电子有限公司
Shenzhen xinfenglei Electronics Co., Ltd

制图 DRAWING	王冠 Wangguan	产品料号 PRODUCT PART NO.	01013-UCAP009-X
审核 CHKD	雷永健 Lei Yongjian	产品名称 PRODUCT NAME	Type C 8p母座90度插板 L=6.5
核准 Appvd	雷永健 Lei Yongjian	联系方式 CONTACT INFO	mailto:sale1@xflecom.com www.xflecom.com
日期 DATE	2009/10/20	比例 SCALE	1:1

RoHS 客户图

PIN ASSIGNMENTS:

A1	A2	A3	A4	A5	A6	A7	A8	A9	A10	A11	A12
GND				CC1	D+	D-					GND
B12	B11	B10	B9	B8	B7	B6	B5	B4	B3	B2	B1
			VBUS				CC2	VBUS			



目錄 MAPX	變更內容 MODIFICATION	日期 DATE
A0	NEW	09-10-20

SPECIFICATION:

- ELECTRICAL CHARACTERISTICS:
 - CURRENT RATING: 3A/ TOTAL POWER PIN 1.25A/Pin MAX(A1,A12,B1,B12),0.25A(OTHER PIN)
 - CONTACT RESISTANCE: 40 MILLIONHM MAX.
 - DIELECTRIC WITHSTANDING VOLTAGE: 100 VAC r.m.s
 - INSULATION RESISTANCE: 100 MEGOHMS MIN.
- MECHANICAL CHARACTERISTICS
 - INSERTION FORCE: 5~20N
 - EXTRACTION FORCE: Initial:8~20N;Durability:5~20N(10000cycles);
 - DURABILITY:10000 CYCLES
- ENVIRONMENTAL CHARACTERISTICS
 - TEMPERATURE RANGE: -40 °C ~ 85 °C
 - IR REFLOW: THE PEAK TEMPERATURE ON THE BOARD SHALL BE MAINTAINED FOR 10 SECONDS AT 260°C.

Part NO. Detailed List

ITEM	PART NUMBER	Au Plating SPEC
1	XFL60-32120802-D1	Au 3u"Plated on Contactor area
2	XFL60-32120805-D5	Au 15u"Plated on Contactor area
2	XFL60-32120807-D7	Au 30u"Plated on Contactor area

NO.	DESCRIPTION	QTY.	MATERIAL	FINISH
④	MID PLATE	1 POS	STAINLESS STEEL	NO SURFACE TREATMENT
③	CONTACT	1 SET	COPPER OLLAY	Ni 50u" MIN. UNDER PLATED OVER ALL. Au PLATED ON THE FUNCTIONAL AREA OF CONTACT.
②	HOUSING	1 POS	THERMOPLASTIC	COLOR: BLACK
①	SHELL	1 POS	STAINLESS STEEL	Ni 30u" MIN. UNDER PLATED OVER ALL.

产品图

PRODUCT CHART DWG

公差一览表

TOLERANCE UNLESS OTHERWISE	X.	X.	X.	X.	XXX
±0.30	X.	±5'			
±0.25	X.	±2'			
±0.20	XX	±1'			
±0.15	XXX	±0.5'			

深圳市鑫风雷电子有限公司

Shenzhen xinfenglei Electronics Co., Ltd

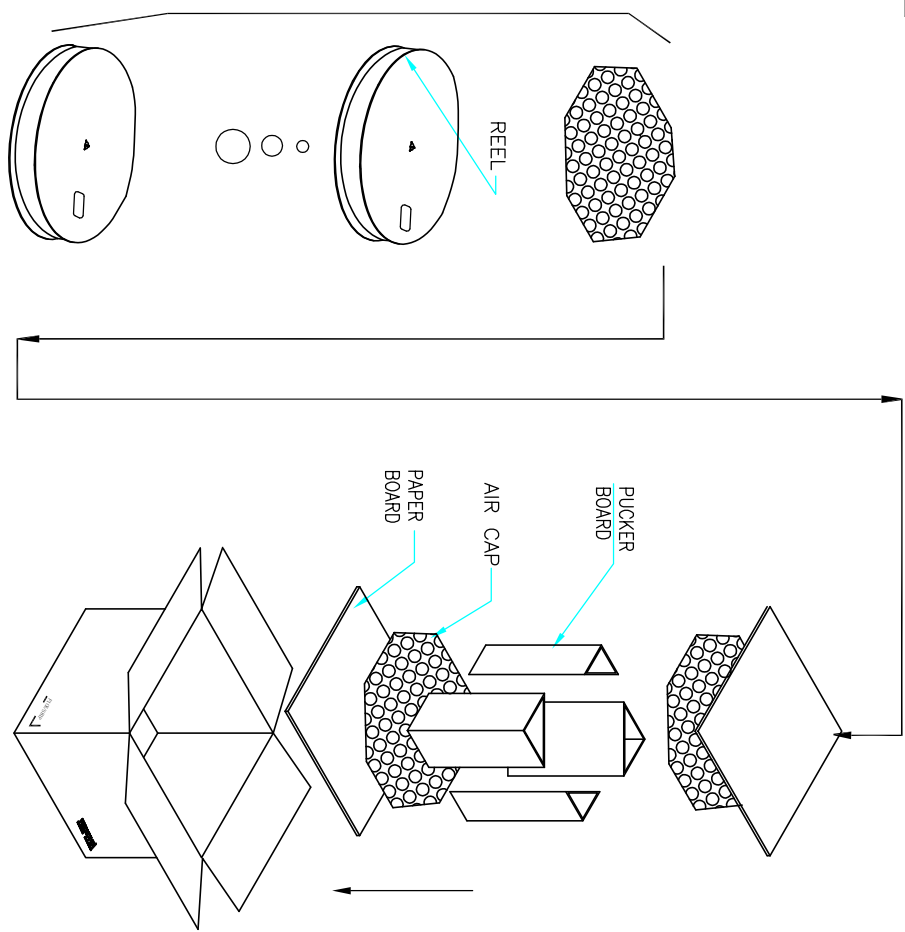
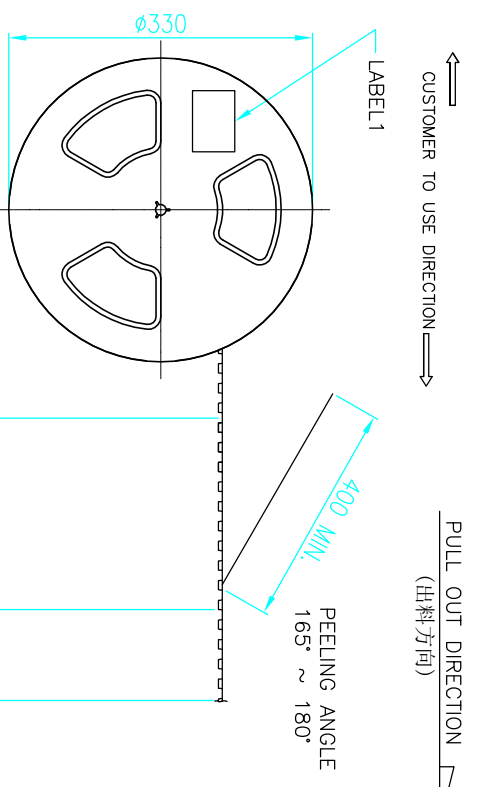
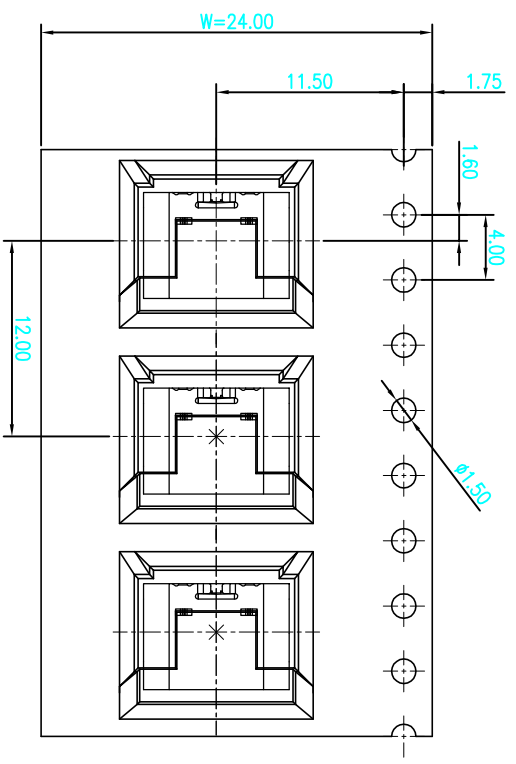
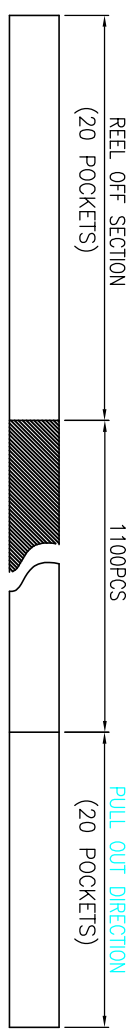
单位 UNITS	MM	制图 DRAWING	王冠 Wangguang	产品料号 PRODUCT PART NO.	01013-UCAF009-X
比例 SCALE	1:1	审核 CHKD	雷永健 Leiyongjian	产品名称 PRODUCT NO.	Type C 8p母座90度插板 L=6.5
日期 DATE	2009/10/20	核准 Apprd	雷永健 Leiyongjian	联系方式 Contact/Info	mailto:sale1@xflecom.com www.xflecom.com

RoHS

客户图

目録 MAPX	变更内容 MODIFICATION	日期 DATE
A0	NEW	09-10-20

CONN. PART NO.	CONN. QTY./REEL	REEL QTY./CARTON	CONN. QTY./CARTON
XFL60-3212080X-DX	1100	10	11000 PCS



产品图 PRODUCT CHART DWG		单位 UNITS		制图 DRAWING		产品料号 PRODUCT PART NO.	
公差一览表 TOLERANCE UNLESS OTHERWISE		MM		王冠 Wangguan		01013-UCAP009-X	
X	±0.30	X	±5°	审核 CHECK	雷永健 Lei Yongjian	产品名称 PRODUCT NO.	
X	±0.25	X	±2°	核准 APPROV	雷永健 Lei Yongjian	Type C 8p母座90度插板 L=6.5	
XX	±0.20	XX	±1°	日期 DATE	2009/10/20	联系方式 CONTACT INFO	
XXX	±0.15	XXX	±0.5°			mailbox: sale1@xfconn.com www.xfconn.com	