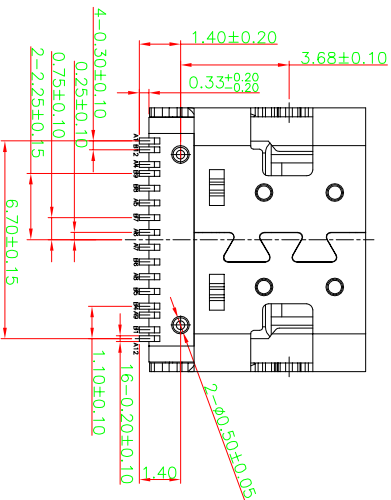
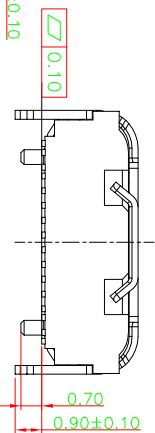
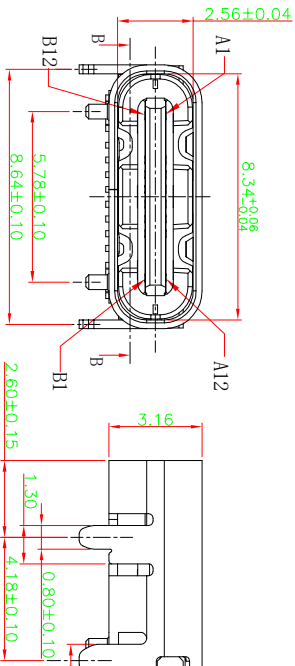
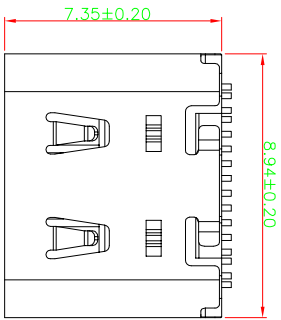
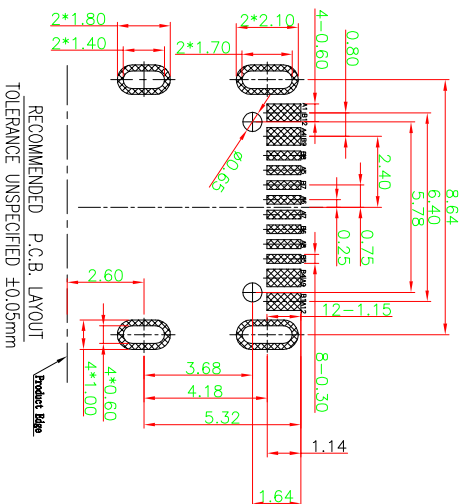


RoHS 客户图



- NOTES:
SPECIFICATION:
- CURRENT RATING: 5.0A MAX
 - VOLTAGE: 100 VAC
 - TEMPERATURE RANGE: -30 °C ~ 85 °C
 - CONTACT RESISTANCE: 40 MILLIONHM MAX
 - INSULATION RESISTANCE: 100 MEGOHMS MIN.
 - LINSERTION FORCE : 5N~20N
 - UNMATING FORCE: 8N~20N
 - DURABILITY: 10,000 CYCLES

A1	GND	B12	GND
A4	VBUS	B9	VBUS
A5	CC1	B8	SBU2
A6	DP1	B7	DN2
A7	DN1	B6	CC2
A8	SBU1	B5	VBUS
A9	VBUS	B4	GND
A12	GND	B1	GND
PIN	SIGNAL NAME	PIN	SIGNAL NAME



6	SHELL	STAINLESS STEEL	NI Plated	1PCS
5	SHIELDING PLATE	STAINLESS STEEL	---	1PCS
4	MD	HIGH TEMPERATURE PLASTIC	BLACK	1PCS
3	CONTACT	COOPER ALLOY	Au/Ni Plated	1SET
2	CONTACT	COOPER ALLOY	Au/Ni Plated	1SET
1	HOUSING	HIGH TEMPERATURE PLASTIC	BLACK	1PCS
NO.	DESCRIPTION	MATERIAL	REMARKS	QTY

产品图

PRODUCT CHART DWG

公差一览表

TOLERANCE UNLESS OTHERWISE	UNIT	SCALE	DATE	DATE
X	±0.30	X'	±5'	
X	±0.25	X'	±2'	
XX	±0.30	XX'	±1'	
.XXX	±0.15	XXX'	±0.5'	

深圳市鑫风雷电子有限公司

PRODUCT PART NO. 12011-UCAP012-X

制图	王冠	产品料号	12011-UCAP012-X
审核	雷永健	产品名称	TYPE C 16P母座板上集插SWT
核准	雷永健	产品图号	L-7, 35#插片
日期	2009/10/20	画法	
比例	1:1	版本	A0
单位	MM	版次	