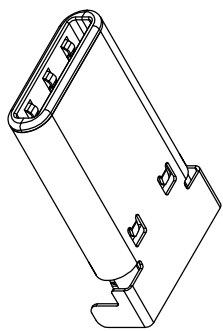
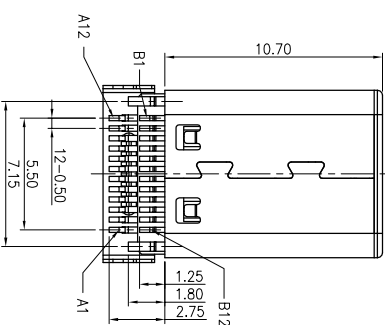
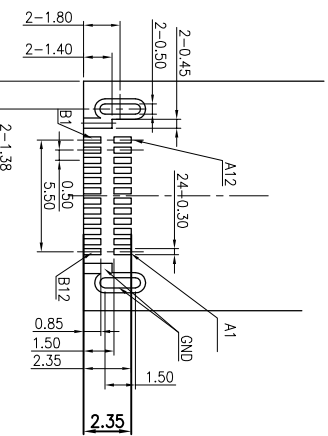
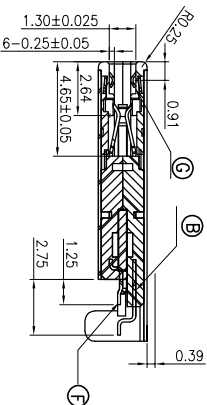
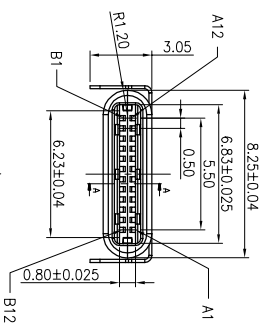
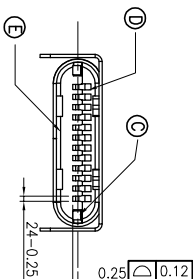
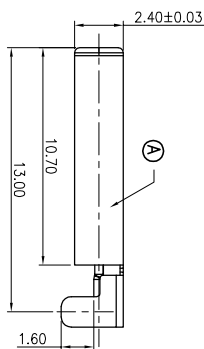
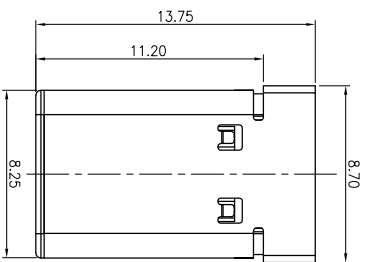


RoHS 客户图

目錄 MAPX	变更内容 MODIFICATION	日期 DATE
A0	NEW	09-10-20



NOTES:
1.MATERIAL:
HOUSING: LCP+ 30% G.F. U94V-0 COLOR: BLACK
CONTACT: C5210-RH, 0.15mm.
SHELL : SUS301, 0.20mm
EMI : SUS304, 0.10mm
SHIELD CONTACT : SUS301, 0.10mm
2.FINISH:
Contacts: [g/FAu PLATED /80u"Sn/50u" Ni Plated
Shell: 30u" Nickel Plated
SHIELD CONTACT: 30u" Nickel Plated

Pin Number	host	device	Pin Number	host	device
PIN A1	GND	GND	PIN B12	GND	GND
PIN A2	SS7Xp1	SS7Xp1	PIN B11	SSRXp1	SSRXp1
PIN A3	SS7Xn1	SS7Xn1	PIN B10	SSRXn1	SSRXn1
PIN A4	VBUS	VBUS	PIN B9	VBUS	VBUS
PIN A5	CC1	CC1	PIN B8	SBU2	SBU2
PIN A6	Dp1	Dp1	PIN B7	Dn2	Dn2
PIN A7	Dn1	Dn1	PIN B6	Dp2	Dp2
PIN A8	SEU1	SEU1	PIN B5	CC2	CC2
PIN A9	VBUS	VBUS	PIN B4	VBUS	VBUS
PIN A10	SSRXn2	SSRXn2	PIN B3	SSTXn2	SSTXn2
PIN A11	SSRXp2	SSRXp2	PIN B2	SSTXp2	SSTXp2
PIN A12	GND	GND	PIN B1	GND	GND

产品图

深圳市鑫风雷电子有限公司

公差一览表 TOLERANCE UNLESS OTHERWISE SPECIFIED		单位 UNITS	MM	制图 DRAWING	王冠	产品料号 PRODUCT PART NO.	26010-UCAM001-X
X	±0.30	X'	±5'	审核 CHKD	雷永健	产品名称 PRODUCT NO.	TYPE C车头耦合式沉板双排SMT
.XX	±0.25	.XX'	±2'	核准 APPD	雷永健	角法 VIEW	版本 VER
.XXX	±0.15	.XXX'	±0.5'	日期 DATE	2009/10/20		A0