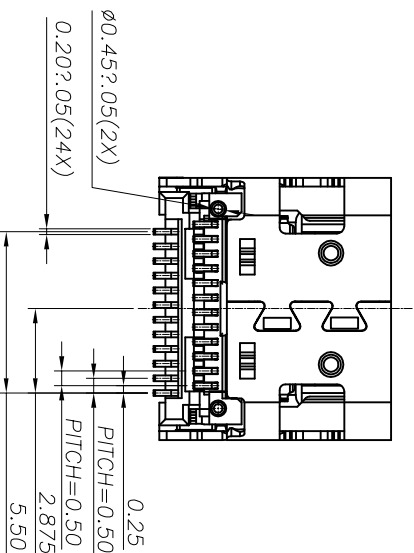
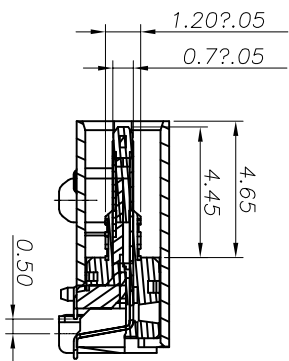
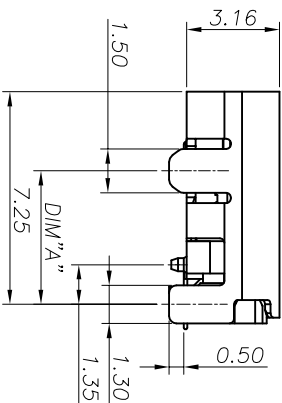
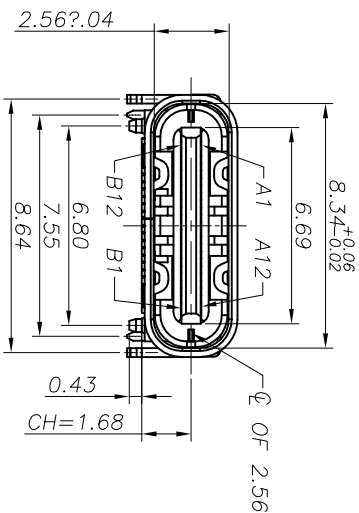
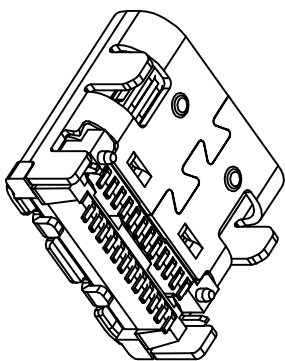
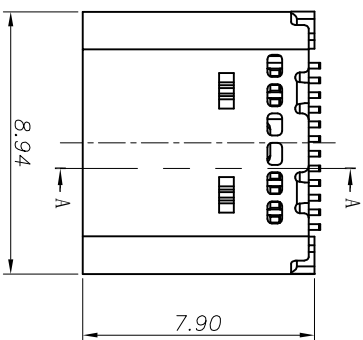


TID号: 7084



目錄 MAPX	變更內容 MODIFICATION	日期 DATE
A0	NEW	09-10-20

- NOTE:
- 1.MATERIAL SPECIFICATION:  
1.HOUSING:HIGH TEMPERATURE RESISTANT PLASTIC(LCP),UL94 V-0.
  - 2.CONTACTS:COPPER ALLOY(C1814)
  - 3.MID PLATE&EMI PLATE: STAINLESS STEEL(SUS301)
  - 4.FRONT SHELL: STAINLESS STEEL(SUS304)
- 2-1.CONTACTS:  
Ni 50u" MIN. UNDER PLATED OVER ALL.  
Au PLATED ON THE FUNCTIONAL AREA OF CONTACT.  
(GOLD PLATING THICKNESS FOLLOW THE P/N)  
PLATING SPECIFICATIONS OF THE SOLDER AREA FOLLOW THE P/N
- 2-2.FRONT SHELL:  
Ni 30u" MIN. UNDER PLATED OVER ALL.
- 2-3.MID PLATE:  
Ni 30u" MIN. UNDER PLATED OVER ALL.  
Sn 80u"MIN. PLATED OVER ALL
- 2-4.EMI PLATE:  
CLEAR ONLY
- 3.MECHANICAL PERFORMANCE,  
3-1.INSERTION FORCE: 0.5~2.0kgf.  
3-2.REMOVAL FORCE: 0.8kgf~2.0kgf.  
3-3.DURABILITY: 10000 CYCLES.
- 4.ELECTRICAL PERFORMANCE.  
4-1. CURRENT RATING:5.0A  
VOLTAGE RATING:5.0V
- 4-2. LCR:  
VBUS & GND PINS AND OTHER PINS: 40mΩ/PIN MAX.  
SHIELD: 50mΩ/MAX.  
LCR MAX. CHANGE OF ALL PINS: 10mΩ.
- 4-3.INSULATION RESISTANCE: 100MΩ MIN
- 4-4.DIELECTRIC WITHSTAND VOLTAGE:AC 100V FOR 1 MINUTE.
5. ENVIRONMENTAL PERFORMANCE:  
OPERATING TEMPERATURE: -25ℳ~+85ℳl.  
6.IR REFLOW:  
THE PEAK TEMPERATURE ON THE BOARD SHALL BE MAINTAINED FOR 10 SECONDS AT 260°C.

## 产品图

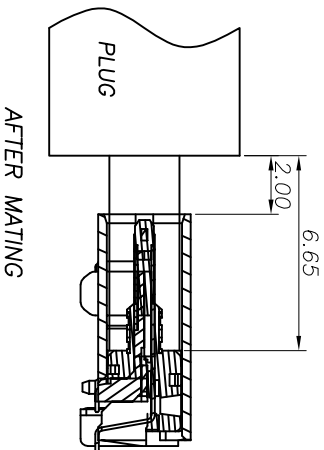
PRODUCT CHART DWG

### 公差一览表

TOLERANCE UNLESS OTHERWISE	公差一览表	单位	MM	制图	王冠	产品料号	00302-UCAR006-B
X ±0.30	X ±0.30	UNITS	MM	DRAWING	王冠	PRODUCT PART NO.	00302-UCAR006-B
XX ±0.25	X ±0.25	比例	1:1	审核	雷永健	PRODUCT NAME	TYPE C母座板上双排SMT有柱有凸包
XXX ±0.15	XX ±0.15	日期	2009/10/20	核准	雷永健	PRODUCT NO.	角法
	XXX ±0.5	DATE		APPD		VIEW	版本
							A0

# 深圳市鑫风雷电子有限公司

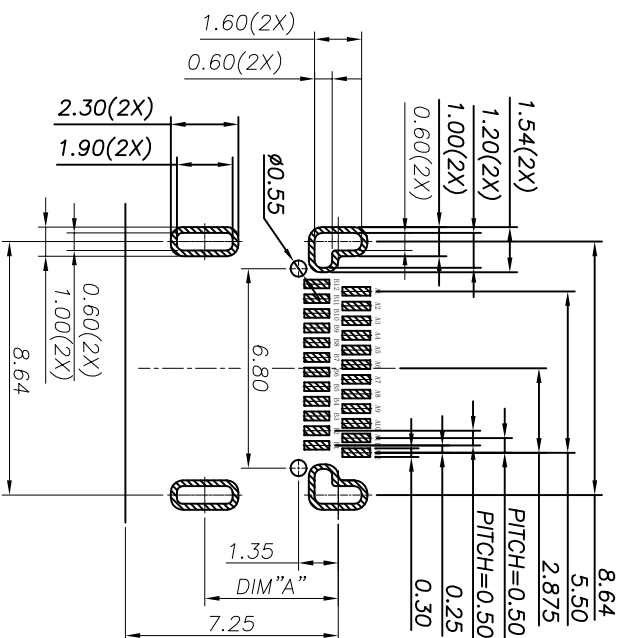
# RoHS 客户图



USB TYPE-C PIN ASSIGNMENTS

PIN NUMBER	SIGNAL NAME	PIN NUMBER	SIGNAL NAME
A1	GND	B12	GND
A2	SSTXp1	B11	SSRXp1
A3	SSTXn1	B10	SSRXn1
A4	VBUS	B9	VBUS
A5	CC1	B8	SBU2
A6	Dp1	B7	Dn2
A7	Dn1	B6	Dp2
A8	SBU1	B5	CC2
A9	VBUS	B4	VBUS
A10	SSRXn2	B3	SSTXn2
A11	SSRXp2	B2	SSTXp2
A12	GND	B1	GND

TID号: 7084



RECOMMENDED PCB LAYOUT(TOP VIEW)  
THICKNESS: 0.60MM;DEFAULT TOLERANCE:±0.05

## 产品图

PRODUCT CHART DWG

公差一览表

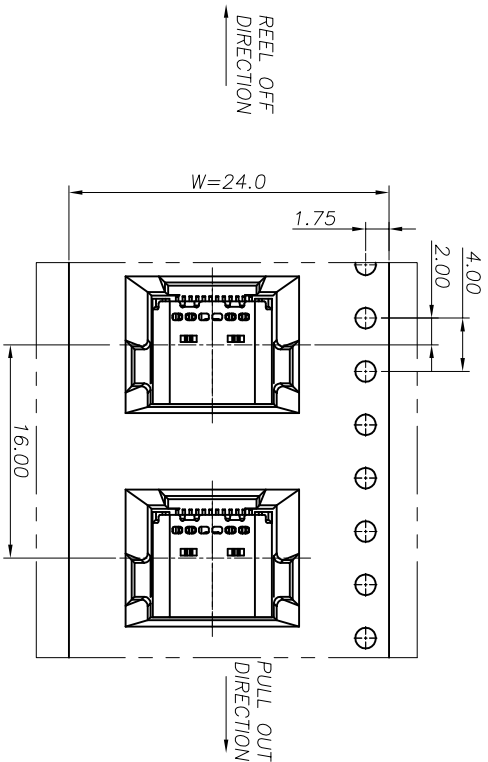
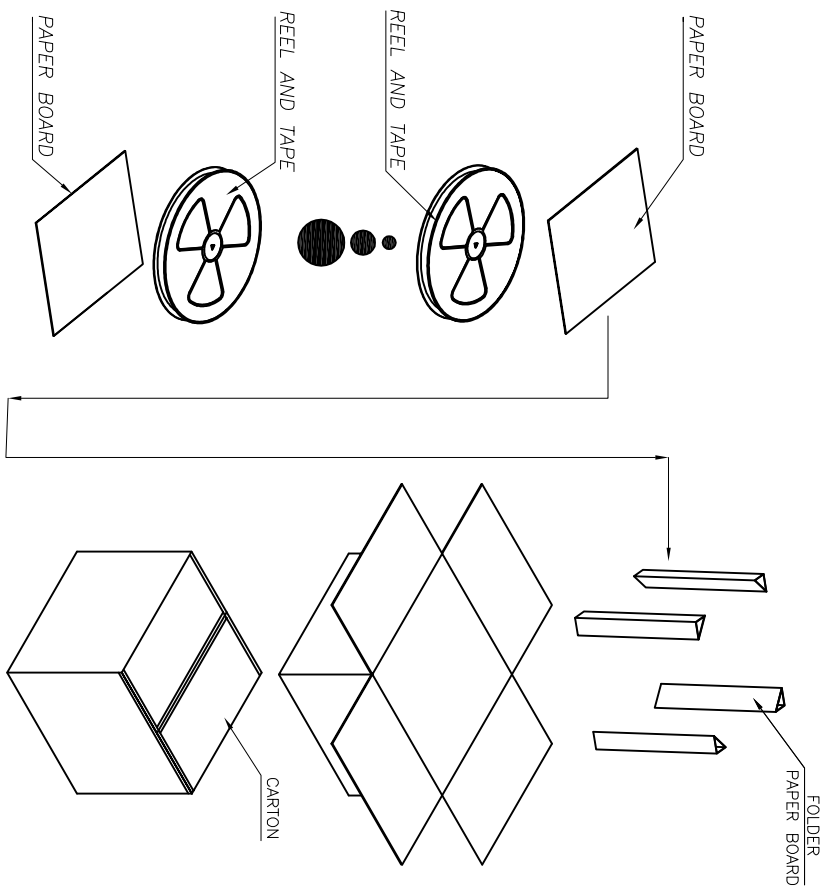
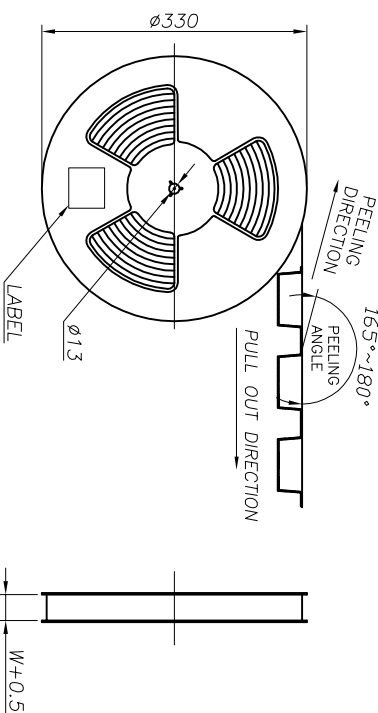
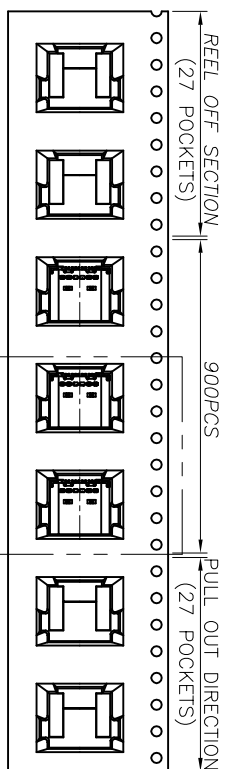
TOLERANCE UNLESS OTHERWISE	公差一览表	单位 UNITS	MM	制图 DRAWING	王冠	产品料号 PRODUCT PART NO.	00302-UCAR006-B
X ±0.30	X' ±5'	比例 SCALE	1:1	审核 CHD	雷永健	产品名称 PRODUCT NO.	TYPE C母座板上双非SMT有柱有凸包
.X ±0.25	.X' ±2'	日期 DATE	2009/10/20	核准 APD	雷永健	角法 VIEW	⊕ ⊖
.XX ±0.30	.XX' ±1'					版本 VER	A0
.XXX ±0.15	.XXX' ±0.5'						

# ROHS

# 客户图

目錄 MAPX A0	變更內容 MODIFICATION NEW	日期 DATE 09-10-20
------------------	-----------------------------	------------------------

## TID号: 7084



CONNECTOR (PCS)	REEL	CARTON
	900	9000

### 深圳市鑫风雷电子有限公司

产品图 PRODUCT CHART DWG		公差一览表 TOLERANCE UNLESS OTHERWISE			
X	±0.30	X'	±5'	单位 UNITS	MM
X	±0.25	X'	±2'	比例 SCALE	1:1
XX	±0.30	XX'	±1'	日期 DATE	2009/10/20
XXX	±0.15	XXX'	±0.5'	核准 APPD	雷永健
制图 DRAWING		王冠	产品料号 PRODUCT PART NO.	00302-UCAR006-B	
审核 CHKD		雷永健	产品名称 PRODUCT NO.	TYPE C母座板上双排SMT有柱有凸包	
角法 VIEW			版本 VER	A0	