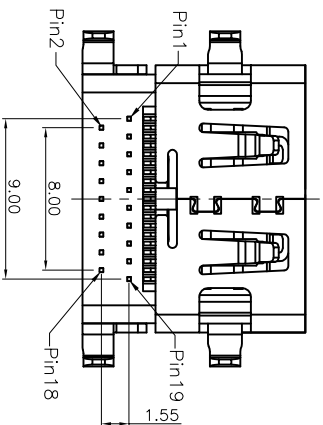
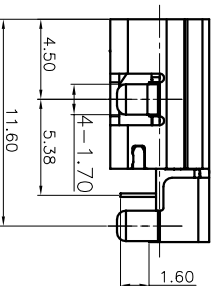
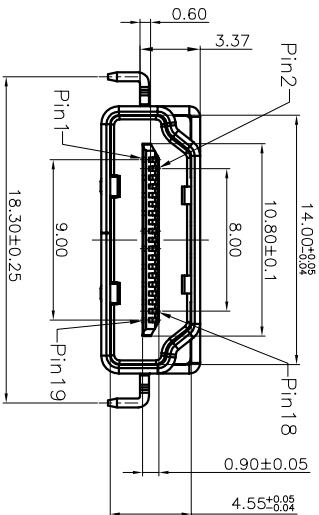
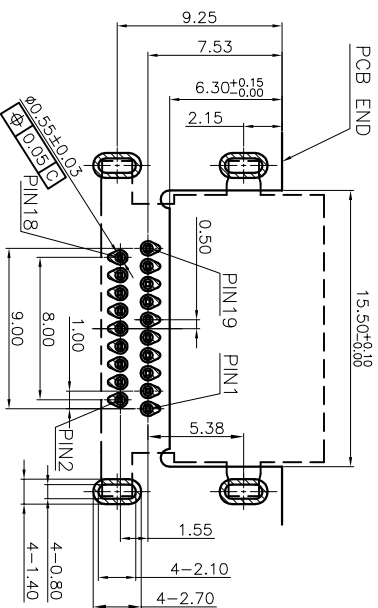
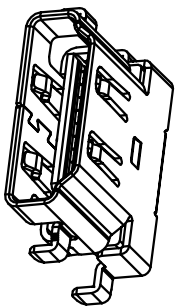
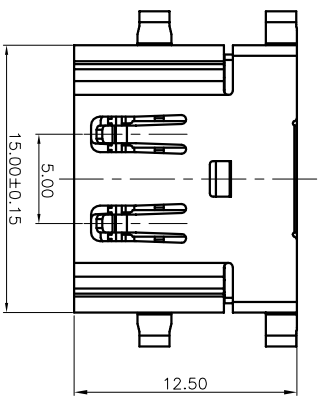


RoHS 客户图



目錄 MAPX A0	設定內容 MODIFICATION NEW	日期 DATE 09-10-20
------------------	-----------------------------	------------------------

RECOMMENDED PCB LAYOUT T=1.60
GENERAL TOLERANCES:±0.05(TOP VIEW)

- NOTES:
- 1.ELECTRONIC:
CONTACT RESISTANCE: 20mohm MAX
INSULATION RESISTANCE: 1000 Mohm MIN
WITHSTAND VOLTAGE:AC 500V,1min.
 - 2.MECHANICAL:
DURABILITY: 10000 CYCLE.
3.ENVIRONMENT CHARACTERISTICS:
OPERATING TEMPERATURE:-55°C TO +105°C
4.RECOMMANDER PCB THICKNESS 1.2 TO 1.60MM
5.MATERIAL LIST:

No.	PART NAME	QTY	MATERIAL	REMARK
3	SHELL	1	COPPER ALLOY T=0.50	NI 50U" PLATED
2	CONTACT	19	COPPER ALLOY T=0.20	CONTACT AREA PLATED AU 10U" SOLDER AREA PLATED SN 100U" (UL 94V-0) BLACK
1	HOUSING	1	THERMOPLASTIC(LCP)	

产品图

PRODUCT CHART DWG

公差一览表

TOLERANCE UNLESS OTHERWISE	X	XX	XXX
±0.30	X	XX	XXX
±0.25	X	XX	XXX
±0.15	X	XX	XXX

深圳市鑫风雷电子有限公司
Shenzhen xinfenglei Electronic Co., Ltd

单位 UNITS	MM	制图 DRAWING	王冠	产品料号 PRODUCT PART NO.	00207-HDAF010-X
比例 SCALE	1:1	审核 CHKD	雷永健	产品名称 PRODUCT NO.	HDMI A TYPE母座板(板厚1.6) H=4.3* L=12.5
日期 DATE	2009/10/20	核准 APRD	雷永健	角法 VIEW	
				版本 VER	A0