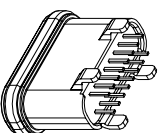
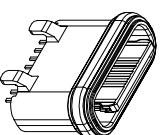
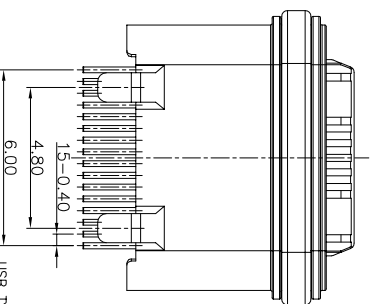
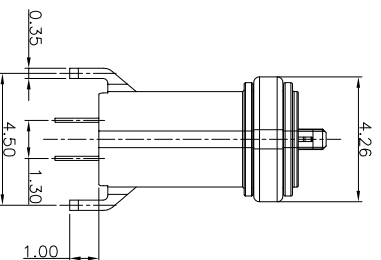
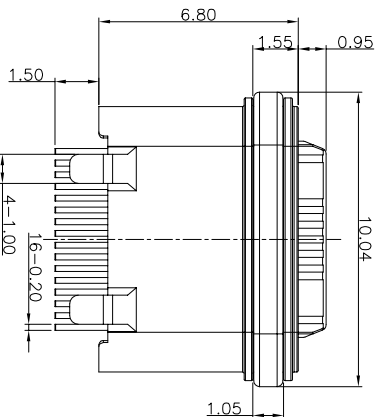
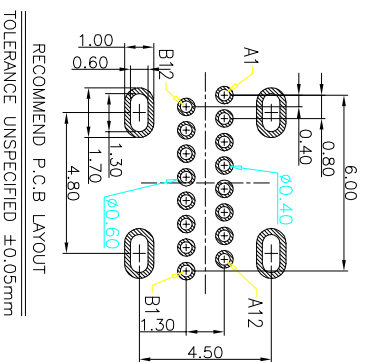
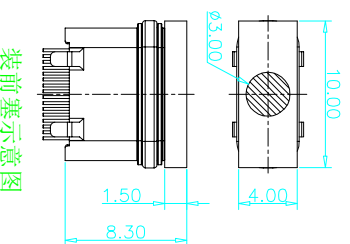
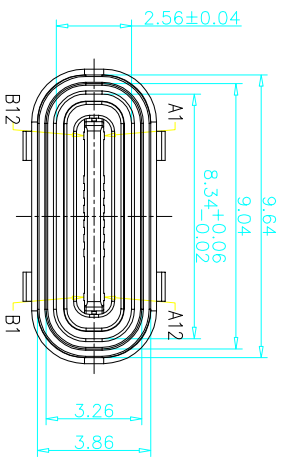


RoHS 客户图



- NOTES:**
SPECIFICATION:
 1. CURRENT RATING: 3.0 A
 2. VOLTAGE RATING: 3.0 V
 3. VBUS & GND PINS AND OTHER PINS: 40mDIPIN MAX SHIELD: 50mD/Max
 4. INSULATION RESISTANCE: 100MΩ MIN
 5. DIELECTRIC WITHSTAND VOLTAGE AC: 100V FOR 1MINUTE
 6. INSERTION FORCE: 0.5-2.0kgf
 7. UNMATING FORCE: 0.8-2.0kgf
 8. DURABILITY: 10000 CYCLES
 9. OPERATING TEMPERATURE: -35°C~+85°C
 10. THE PEAK TEMPERATURE ON THE BOARD SHALL BE MAINTAINED FOR 10 SECONDS AT 280°C
 11. WATERPROOF: IP-X7.

USB TYPE C PIN ASSIGNMENTS

PIN NUMBER	SIGNAL NAME	PIN NUMBER	SIGNAL NAME
A1	GND	B12	GND
A4	VBUS	B9	VBUS
A5	CC1	B8	SBUS2
A6	DP1	B7	DN2
A7	DM1	B6	DP2
A8	SBUS1	B5	CC2
A9	VBUS	B4	VBUS
A12	GND	B1	GND

TABLE:

NO	PART	QTY	Material
1	SHELL	1	ZINC ALLOG,NI30U*Min PLATED
2	CONTACT	16	C7025,TIN80U*/AU3U*/NI30U*PLATED
3	MID PLATE	1	SUS301,NO PLATING
4	HOUSING	1	LCP(E130J) UL94 V-0 BLACK
5	WATERPROOF RING	1	SILICONE(SI/60-65A) UL94 V-0 BLACK

产品图

深圳市鑫风雷电子有限公司
 Shenzhen xinfenglei Electronics Co., Ltd

公差一览表		单位		比例		日期	
TOLERANCE UNLESS OTHERWISE	UNITS	MM	DRAWING	SCALE	DATE	APPRO	DATE
X	±0.30	X'	±5'	1:1	2009/10/20	王冠	
XX	±0.25	X''	±2'			雷永健	
XXX	±0.15	XXX'	±0.5'			雷永健	