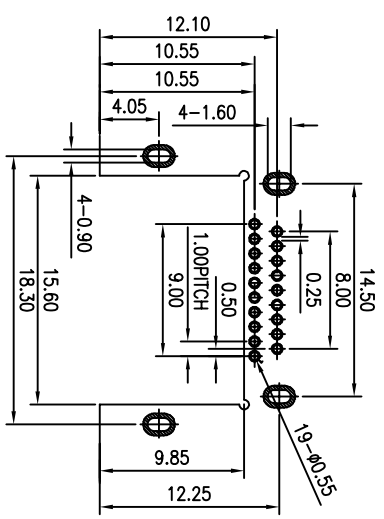
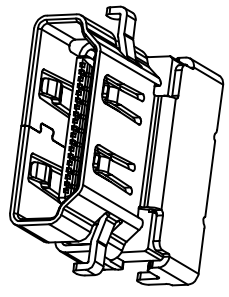
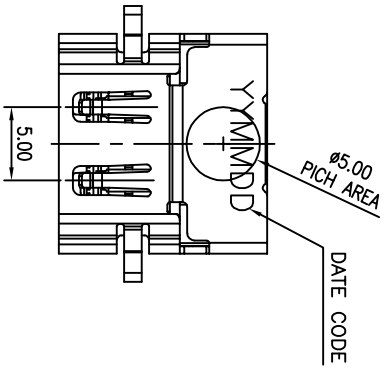


客户图

1 2 3 4 5 6 7 8 9 10

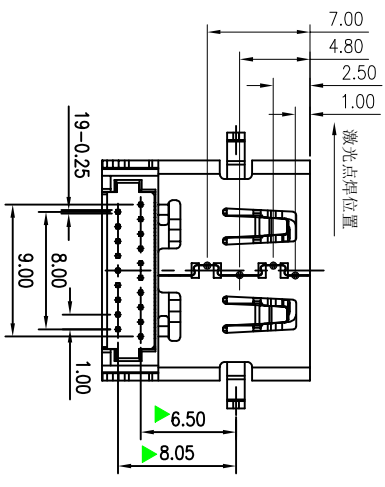
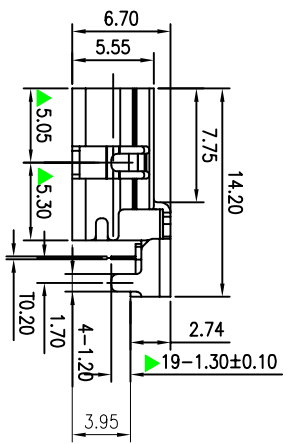
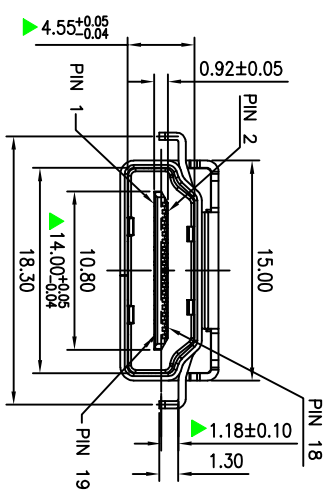


RECOMMENDED PCB LAYOUT(TOP VIEW)
(THICKNESS=1.0±0.10mm)
(TOLERANCE=±0.05mm)

NOTES:

- 1.ELECTRONIC:
VOLTAGE RATING:40V AC MAX
CONTACT RESISTANCE: 20mohm MAX
INSULATION RESISTANCE: 1000 Mohm MIN
WITHSTAND VOLTAGE:AC 500V,1min.
- 2.MECHANICAL:
DURABILITY: 10000 CYCLE.
- 3.ENVIRONMENT CHARACTERISTICS:
OPERATING TEMPERATURE:-55°C TO +105°C
- 4.标称“▲”符号的尺寸为重点检验尺寸;
- 5.MATERIAL LIST:

No.	PART NAME	QTY	MATERIAL	REMARK
3	SHELL	1	COPPER ALLOY T=0.50	NI PLATED
2	CONTACT	19	COPPER ALLOY T=0.20	AU/TIN PLATED
1	HOUSING	1	THERMOPLASTIC	(UL 94V-0) BLACK



产品图

PRODUCT CHART DWG

公差一览表
TOLERANCE UNLESS OTHERWISE

公差	公差	公差	公差	公差	公差
XXX	XX	XX	XX	XX	XX
±0.15	±0.30	±0.50	±0.50	±0.50	±0.50
±0.15	±0.30	±0.50	±0.50	±0.50	±0.50

深圳市鑫风雷电子有限公司
Shenzhen xinfenglei Electronic Co., Ltd

单位	比例	日期	制图	审核	批准	产品料号	产品名称	角法	版本
UNITS	SCALE	DATE	DRAWING	CHECK	APPD	PRODUCT PART NO.	PRODUCT NAME	VIEW	VER
MM	1:1	2009/10/20	王冠	雷永健	雷永健	00207-HDAF008-X	HDMI母座反向沉板3.95 DIP L=14.2		A0

THIS DRAWING CONTAINS INFORMATION THAT IS PROPRIETARY TO XINFENGLI ELECTRONIC CO.,LTD AND SHOULD NOT BE USED WITHOUT WRITTEN PERMISSION