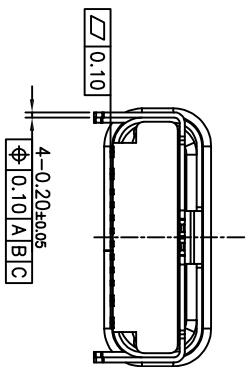
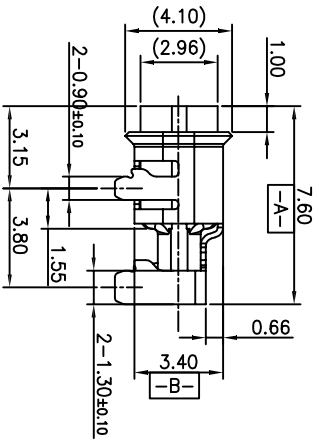
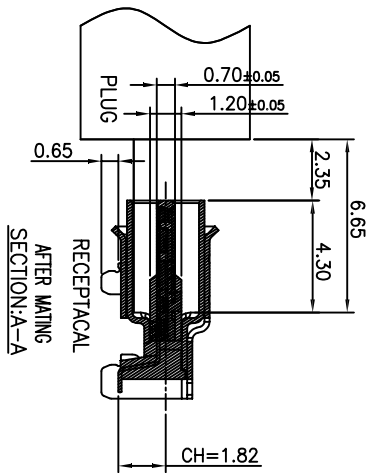
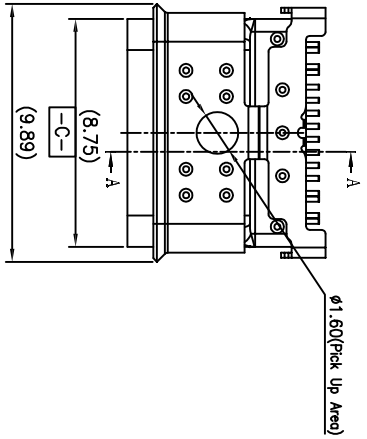
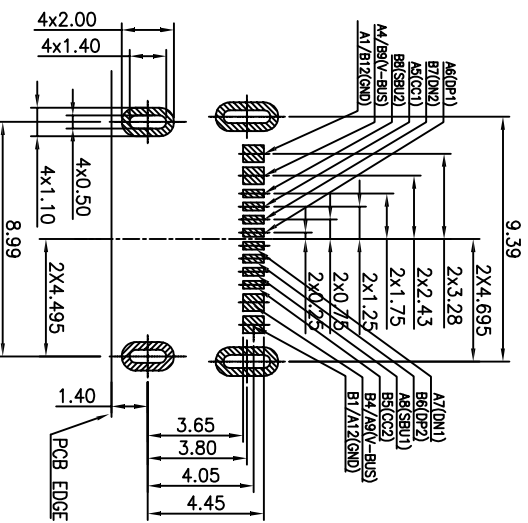


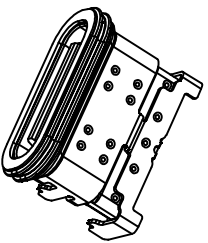
ROHS 客户图



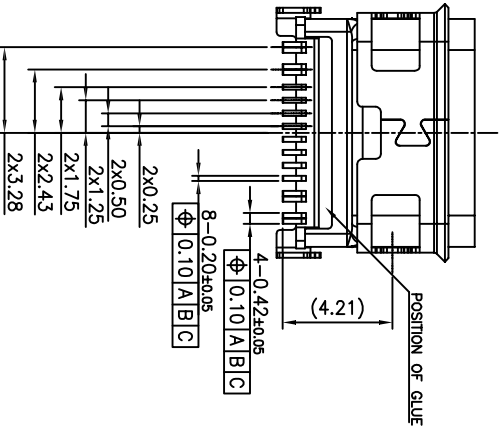
A1	A2	A3	A4	A5	A6	A7	A8	A9	A10	A11	A12
GND			VBUS	CC1	D+	D-	SBU1	VBUS			GND
GND			VBUS	SBU2	D-	D+	CC2	VBUS			GND
B12	B11	B10	B9	B8	B7	B6	B5	B4	B3	B2	B1



RECOMMENDED PCB LAYOUT
TOLERANCE:±0.05



- NOTES:
- ELECTRICAL CHARACTERISTICS:
 - 1.1 CONTACT CURRENT RATING:3A
 - 1.2 CONTACT RATED VOLTAGE:50VDC
 - 1.3 CONTACT RESISTANCE:
 - 1.4 INSULATION RESISTANCE: 40Mohm Max. AFTER: Δ<10mohm
 - 1.5 WITHSTANDING STRENGTH:100Vohm MIN.
 2. MECHANICAL CHARACTERISTICS:
 - 2.1 EXERCISE FORCE:MIN. 6-20N; AFTER 5-20N;
 - 2.2 DURABILITY:1000 CYCLES
 - 2.3 DEGRADABILITY:1000 CYCLES
 3. ROHS OR HF COMPLIANT
 4. ENVIRONMENTAL PERFORMANCE:
 5. OPERATING TEMPERATURE:-20°C~+85°C
 5. RECOMMENDED PROCESS:
- THE PEAK TEMPERATURE ON THE BOARD SHALL MAINTAIN 10±1 SECONDS AT 260±5°C



产品图

PRODUCT CHART DWG

公差一览表

TOLERANCE UNLESS OTHERWISE	公差
X	±0.30
X	±0.25
XX	±0.20
XXX	±0.15
X	±5°
X	±2°
XX	±1°
XXX	±0.5°

深圳市鑫风雷电子有限公司

Shenzhen xinfenglei Electronics Co., Ltd

单位	MM	制图	王冠	产品料号	01013-UCAP011-X
比例	1:1	审核	雷永健	产品名称	Type C 16p母座板上型防水 IPX7 L=7.6
日期	2009/10/20	核准	雷永健	联系方式	mailto:sale1@xflecom.com
					www.xflecom.com

ITEM	NAME	QTY	MATERIAL	FINISH
G	GLUE	1	SILICONE	U194V-0
F	OUTER SHELL	1	Stainless Steel,T=0.20	OVER ALL:50μm Ni UNDERPLATED
E	INNER SHELL	1	Stainless Steel,T=0.20	SOLDER TML:57μm PLATED
D	SOLDER-PLATE	1	Stainless Steel,T=0.10	CLEAN
C	HOUSING	1	High-Temp. Plastics	U194V-0, BLACK
B	IMP-PLATE	1	Stainless Steel,T=0.15	CLEAN
A	CONTACTS	16	Copper Alloy T=0.12mm	CONTACT AREA: 30μm Min SOLDER TML: G/Fu OVER ALL: 50μm Ni UNDERPLATED

ITEM NAME QTY MATERIAL FINISH

1 2 3 4 5 6 7 8 9 10

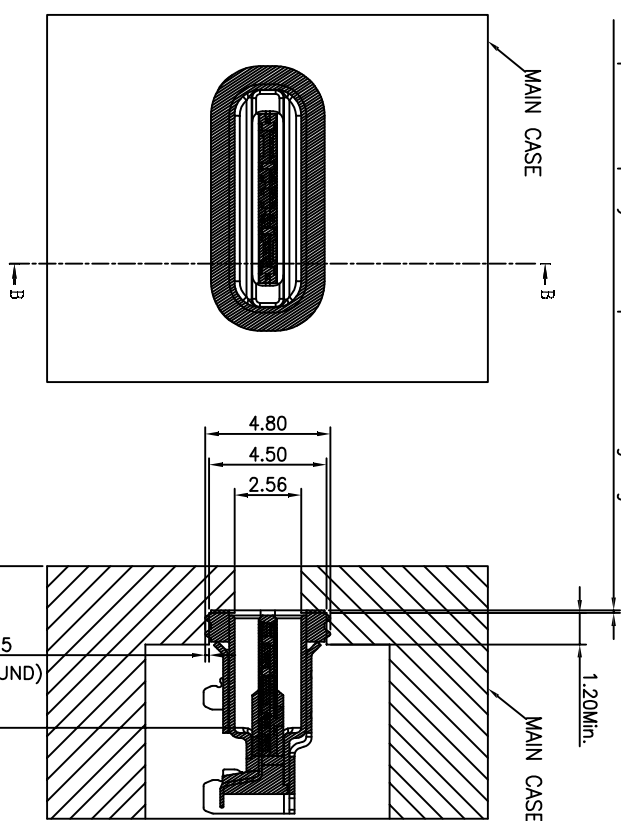
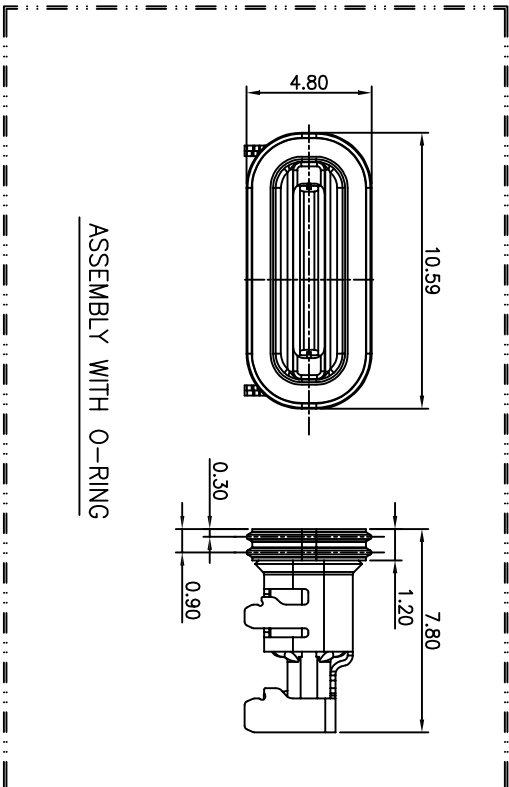
RoHS

客户图

目錄 MAPX	变更内容 MODIFICATION	日期 DATE
A0	NEW	09-10-20

RECOMMENDED OPENING DIMENSIONS
OF CASE MATING AREA WITH SEALING RING

Compression capacity of shell panel to sealing ring 0.110



产品图

PRODUCT CHART DWG

公差一览表

TOLERANCE UNLESS OTHERWISE SPECIFIED	公差一览表
X	±0.30
.X	±0.25
.XX	±0.20
.XXX	±0.15

深圳市鑫风雷电子有限公司

Shenzhen xinfenglei Electronics Co., Ltd

单位 UNITS	MM
比例 SCALE	1:1
日期 DATE	2009/10/20
制图 DRAWING	王冠 Wangguan
审核 CHKD	雷永健 Lei Yongjian
核准 APPD	雷永健 Lei Yongjian
产品料号 PRODUCT PART NO.	01013-UCAP011-X
产品名称 PRODUCT NO.	Type C 16p母面板上型防水 IPX7 L=7.6
联系方式 Contact/Info	mailto:sale1@xflecom.com www.xflecom.com