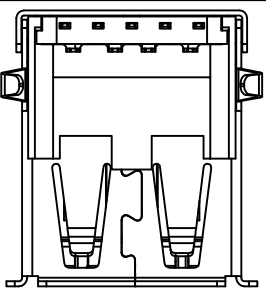
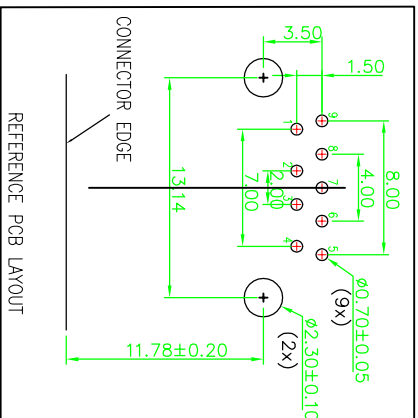
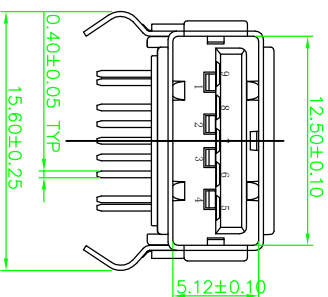
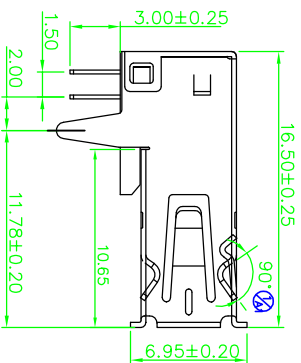
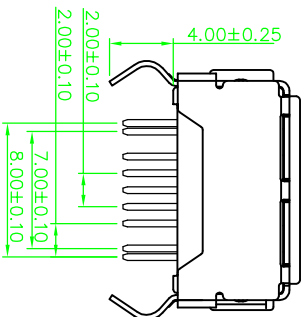
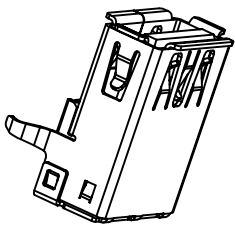
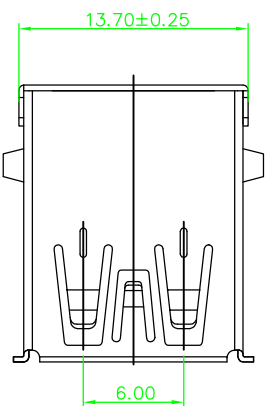


RoHS

客户图

目録 MAPX A0	変更内容 MODIFICATION NEW	日期 DATE 09-10-20
------------------	-----------------------------	------------------------



SPECIFICATIONS:
 Contact current Rating:
 1.8 Amperes for pin1&pin4.
 0.25 Amperes other contacts
 Dielectric Withstanding Voltage:AC 100V(RMS)
 Insulation resistance:100Megohms Minimum.
 Contact Resistance:
 30mΩ Max for pin1&pin4
 50mΩ Max for other contacts
 Mechanical Characteristics:
 Mating Force:35 Newtons.Maximum
 Umating Force:10 Newtons.Minimum.
MATERIAL:
 Housing: PBT+30%GF 94V-0 COLOR:BLUE
 Contact: copper alloy(T=0.25mm)
 Shell: Brass
 Plating:
 Contact: Au Plated on contact area
 Tin Plated on solder area
 Nickel underplating over all
 Shell: Nickel Plated
 operating Temperature:-55to+85°

深圳市鑫风雷电子有限公司

产品图 PRODUCT CHART DWG		单位 UNITS		MM	制图 DRAWING	王冠	产品料号 PRODUCT PART NO.	00609-U3AF005-X
公差一览表 TOLERANCE UNLESS OTHERWISE		X	±0.30	X	±5°	审核 CHKD	产品名称 PRODUCT NO.	USB 3.0 AF 902DP 有卷边无接口弯脚 脚长3.0
XX	±0.25	X	±2°			核准 APPD	角法 VIEW	版本 VER
XXX	±0.15	XXX	±1.5°					A0
日期 DATE		2009/10/20						