

1

2

3

4

5

6

7

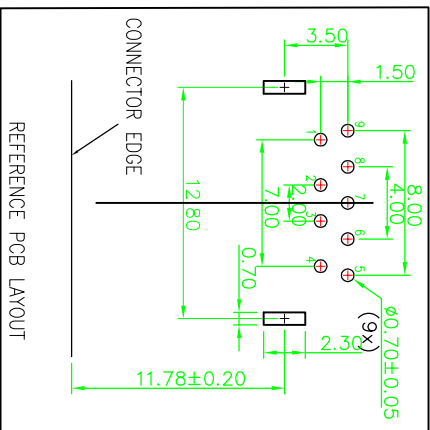
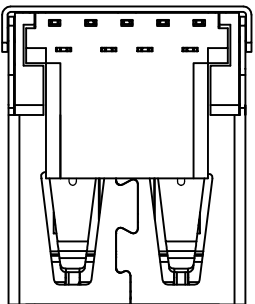
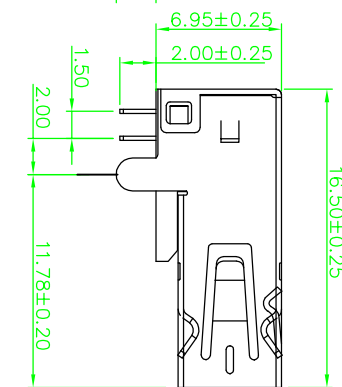
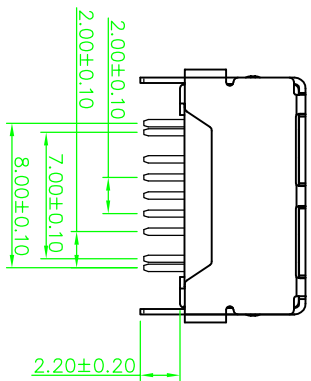
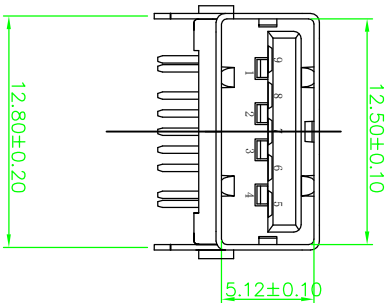
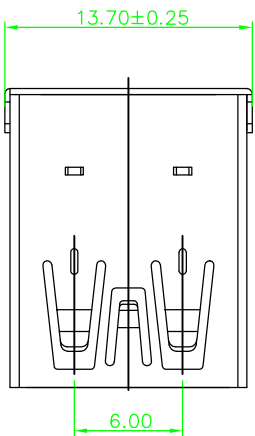
8

9

10

目錄 MAPX	變更內容 MODIFICATION	日期 DATE
A0	NEW	09-10-20

RoHS 客戶圖



**SPECIFICATIONS:**

Contact current Rating:  
1.8 Amperes for pin1&pin4.  
0.25 Amperes other contacts

Dielectric Withstanding Voltage:AC 100V(RMS)

Insulation resistance:100Megohms Minimum.

Contact Resistance:  
30mΩ Max for pin1&pin4  
50mΩMax for other contacts

Mechanical Characteristics:  
Mating Force:35 Newtons,Maximum  
Unmating Force:10 Newtons,Minimum.

**MATERIAL:**  
Housing: PBT+30%GF 94V-0 COLOR:BLUE  
Contact: copper alloy  
Shell: Brass

**PLATING:**  
Contact: Au Plated on contact area  
Tin Plated on solder area  
Nickel underplating over all  
Shell: Nickel Plated  
operating Temperature:-55℃+85°

# 深圳市鑫风雷电子有限公司

产品图 PRODUCT CHART DWG		单位 UNITS		MM	制图 DRAWING	王冠	产品料号 PRODUCT PART NO.	00609-U3A1F007-X
公差一览表 TOLERANCE UNLESS OTHERWISE		比例 SCALE		1:1	审核 CHKD	雷永健	产品名称 PRODUCT NO.	USB3.0 A母90度 直脚无卷边 脚长2.2
X	±0.30	X'	±5'		日期 DATE	2009/10/20	角法 VIEW	版本 VER
XX	±0.25	X''	±2'		核准 APPD	雷永健		A0
.XXX	±0.15	.XXX'	±0.5'					