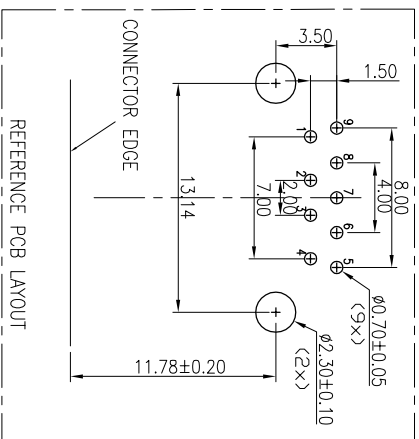
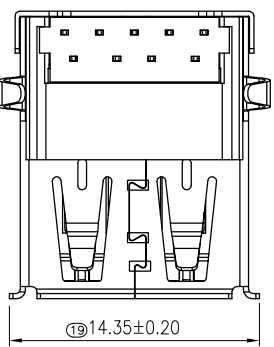
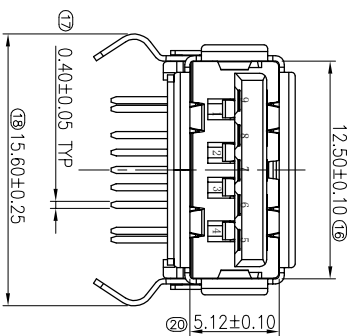
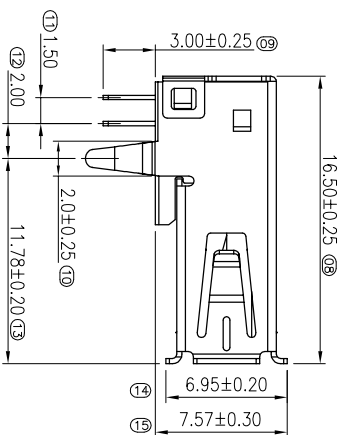
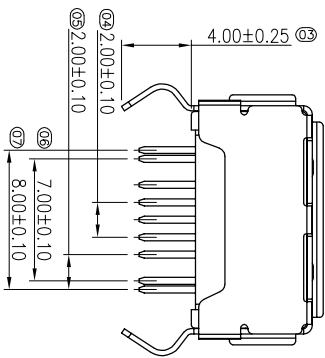
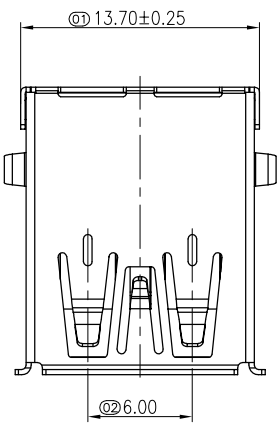


RoHS 客户图

目錄
MAPX
A0

變更內容
MODIFICATION
NEW

日期
DATE
09-10-20



SPECIFICATIONS:
 Contact current Rating:
 1.8 Amperes for pin1&pin4,
 0.25 Amperes other contacts
 Dielectric Withstanding Voltage:AC 100V(RMS)
 Insulation resistance:100Megohms Minimum.
 Contact Resistance:
 30mΩ Max for pin1&pin4
 50mΩMax for other contacts
 Mechanical Characteristics:
 Mating Force:35 Newtons;Maximum
 Unmating Force:10 Newtons;Minimum.
 8N Min After Durability

MATERIAL:
 Housing: SEE TABLE.UJ94V-0
 Contact:2.0 Contacts C3191
 3.0 Contacts C2680
 Shell:BRASS/SPCC

PLATING:
 Contact: Au Plated on contact area
 Fog Tin 100u"Min Plated on solder area
 Nickel 50u"Min underplating over all.
 Shell: Nickel 50u"Min underplating over all.
 Gold 0.5u" minimum gliding
 operating Temperature:-55to+85°
 *SHOWS QIP INSPECTION ITEMS.

产品图

深圳市鑫风雷电子有限公司

公差一览表		单位		制图		产品料号	
TOLERANCE UNLESS OTHERWISE		UNITS		DRAWING		PRODUCT PART NO.	
X ±0.30		X'		±5'		11005-U3AF008-A	
XX ±0.25		X'		±2'		产品名称	
XXX ±0.15		XXX'		±0.5'		USB 3.0 AF 90度弯脚有边端子长3.0	
日期		比例		审核		画法	
DATE		SCALE		CHD		ANGLE NO.	
2009/10/20		1:1		王冠		版本	
				雷永健		A0	
				雷永健			
				APPD			
				VIEW			