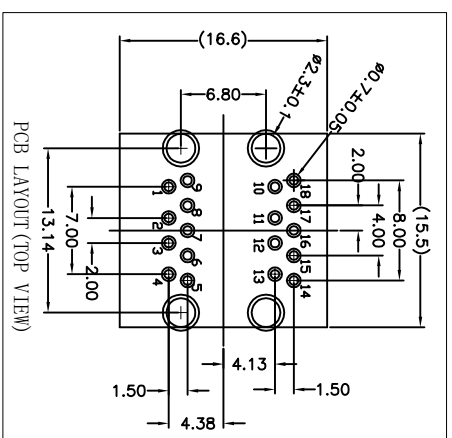
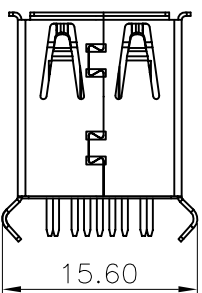
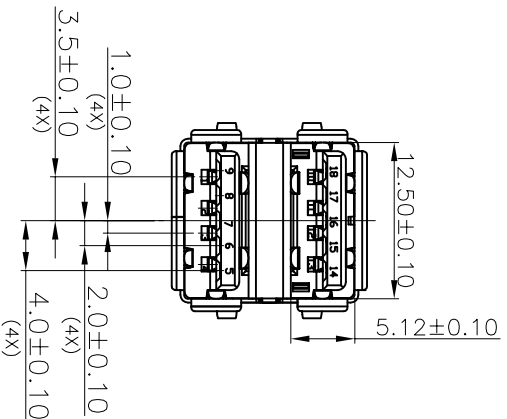
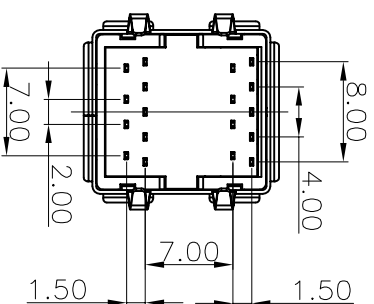
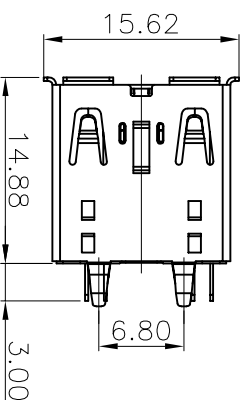
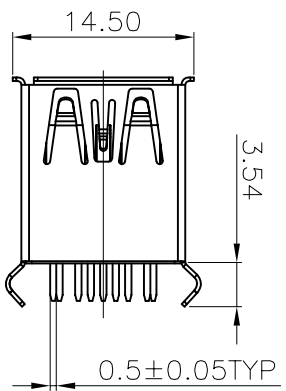


# RoHS

# 客户图

目錄 MAPX A0	設定內容 MODIFICATION NEW	日期 DATE 09-10-20
------------------	-----------------------------	------------------------



**SPECIFICATIONS:**  
 Contact current Rating:  
 1.8 Amperes for pin1&pin4,  
 0.25 Amperes other contacts  
 Dielectric Withstanding Voltage:AC 100V(RMS)  
 Insulation resistance:100Megohms Minimum.  
 Contact Resistance:  
 30mΩ Max for pin1&pin4  
 50mΩMax for other contacts  
 Mechanical Characteristics:  
 Mating Force:35 Newtons.Maximum  
 Unmating Force:10 Newtons.Minimum.  
**MATERIAL:**  
 Housing: PBT+30%GF 94V-0 COLOR:BLUE  
 Contact: copper alloy( T=0.25mm)  
 Shell: Brass  
**PLATING:**  
 Contact: Au Plated on contact area  
 Tin Plated on solder area  
 Nickel underplating over all  
 Shell: Nickel Plated  
 operating Temperature: -55°to +85°

Pin Number	Signal Name	Pin Number	Signal Name
1/10	VBUS	5/14	SSRX-
2/11	D-	6/15	SSRX+
3/12	D+	7/16	GND
4/13	GND	8/17	SSTX-
Shell	Shield	9/18	SSTX+

公差一览表		公差一览表	
TOLERANCE UNLESS OTHERWISE			
UNIT	公差	UNIT	公差
X	±0.30	X'	±5'
.X	±0.25	.X'	±2'
.XX	±0.30	.XX'	±1'
.XXX	±0.15	.XXX'	±0.5'

深圳市鑫风雷电子有限公司  
 Shenzhen xinfenglei Electronic Co., Ltd

单位 UNITS	MM	制图 DRAWING	王冠	产品料号 PRODUCT PART NO.	11005-U3AF018-X
比例 SCALE	1:1	审核 CHECK	雷永健	产品名称 PRODUCT NO.	USRS3_0 AF 180度双层插板弯脚有边H=14.9
日期 DATE	2009/10/20	核准 APPRO	雷永健	角法 VIEW	
				版本 VER	A0