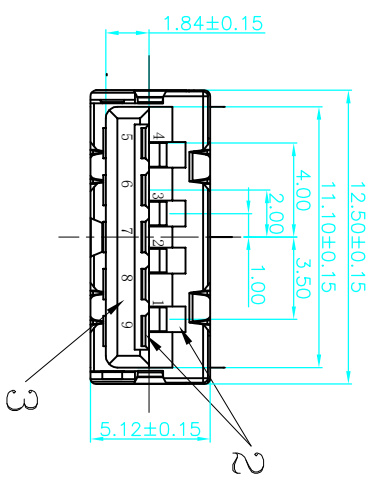
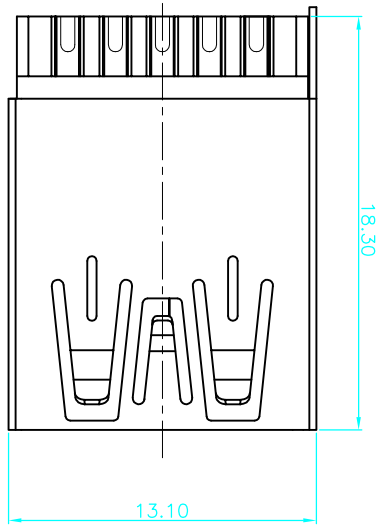
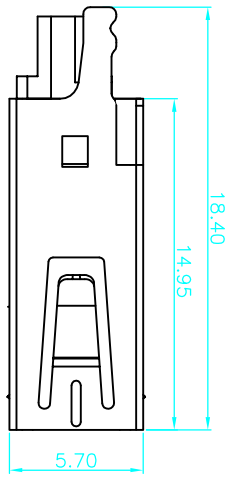
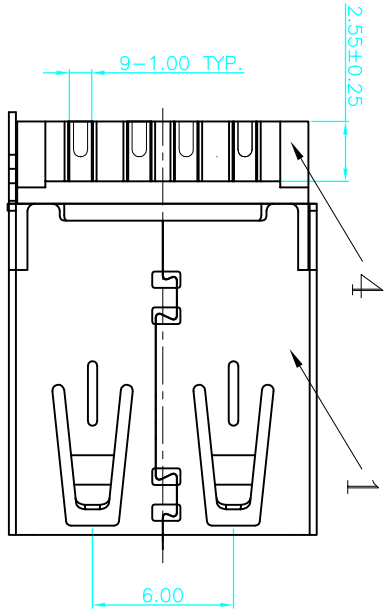


# ROHS 客户图



目錄 MAPX 40	設定內容 MODIFICATION NEW	日期 DATE 09-10-20
------------------	-----------------------------	------------------------

NOTE:  
 \*Electrical Characteristics:  
 1. CONTACT RESISTANCE: 30mΩ MAXIMUM  
 2. CONTACT CURRENT RATING: 1.5A  
 3. DIELECTRIC WITHSTANDING VOLTAGE: 500 V R.M.S.  
 4. INSULATION RESISTANCE 1000 MEGOHMS MIN  
 \*Mechanical Characteristics:  
 1. MATING FORCE: 3.57kg MAX  
 2. UNMATED FORCE: 1.02kg MIN

**P/N NOTES:**

CU1-US10012	塑胶PBT蓝色, 端子铜合金; 镀金Au 1u", 铁壳镀镍50u"
CU1-US40010	塑胶PBT蓝色, 端子铜合金; 镀金Au 15u", 铜壳镀镍50u"
CU1-US10011	塑胶PBT蓝色, 端子铜合金; 镀金Au 1u", 铜壳镀金0.7u"
CU1-US10010	塑胶PBT蓝色, 端子铜合金; 镀金Au 1u", 铜壳镀镍50u"

Part NO.

SPECIFICATION

4	COVER	1	PBT	
3	HOUSING	1	PBT	
2	TERMINAL	9	COPPER ALLOY	
1	SHELL	1	COPPER ALLOY	
	TITLE	QTY	MATERIAL	REMARK

**产品图**

PRODUCT CHART DWG

公差一览表  
TOLERANCE UNLESS OTHERWISE

X	±0.30	X'	±5°
X	±0.25	X'	±2°
.XX	±0.30	.XX'	±1°
.XXX	±0.15	.XXX'	±0.5°

深圳市鑫风雷电子有限公司  
Shenzhen xinfenglei Electronic Co., Ltd

单位 UNITS	MM	制图 DRAWING	王冠	产品料号 PRODUCT PART NO.	17010-U3AP001-B
比例 SCALE	1:1	审核 CHECK	雷永健	产品名称 PRODUCT NO.	USB3.0 AP 180度焊线无边手工
日期 DATE	2009/10/20	核准 APPR	雷永健	角法 VIEW	
				版本 VER	A0

THIS DRAWING CONTAINS INFORMATION THAT IS PROPRIETARY TO XINFENGLI ELECTRONIC CO.,LTD AND SHOULD NOT BE USED WITHOUT WRITTEN PERMISSION