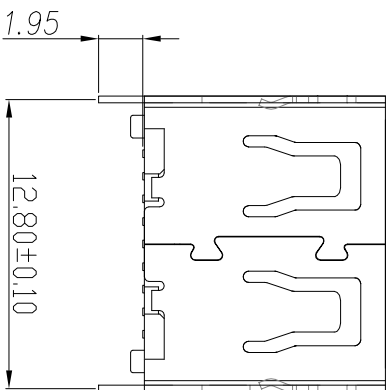
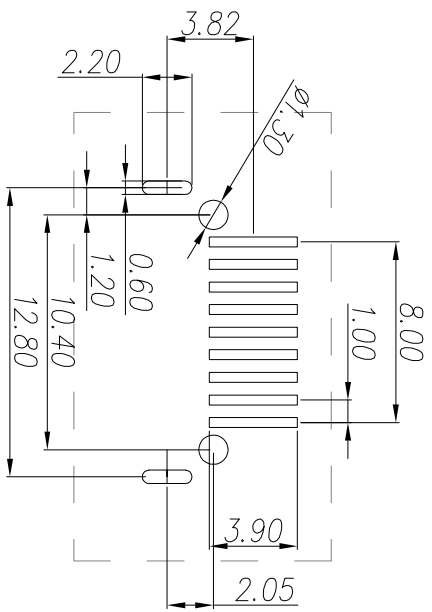
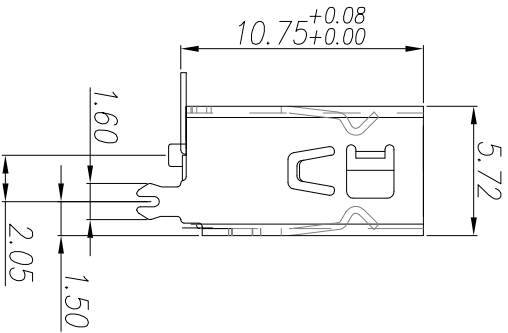
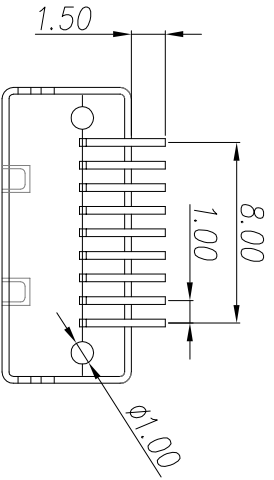
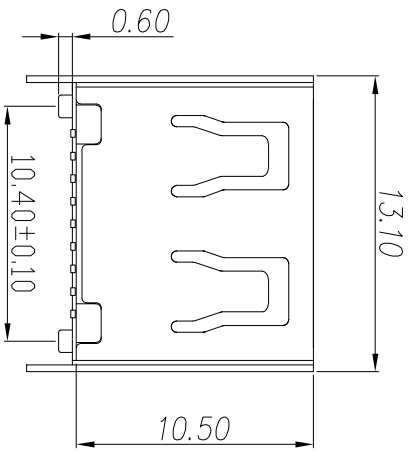
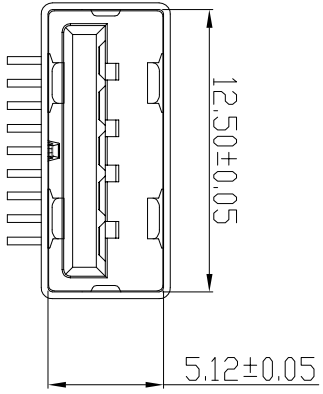


1 2 3 4 5 6 7 8 9 10

RoHS

客户图

目錄 MAPX	變更內容 MODIFICATION	日期 DATE
A0	NEW	09-10-20



PRODUCT CHART DWG

TOLERANCE UNLESS OTHERWISE	UNITS	MM	DRAWING	PRODUCT PART NO.
X ±0.30	X'	±5'		
.X ±0.25	.X'	±2'	CHD	
.XX ±0.30	.XX'	±1'		
.XXX ±0.15	.XXX'	±0.5'	APPD	

由Autodesk教育版产品制作

IS PROPRIETARY TO XINENGLEI ELECTRONIC CO.,LTD AND SHOULD NOT BE USED WITHOUT WRITTEN PERMISSION

VER

1.0