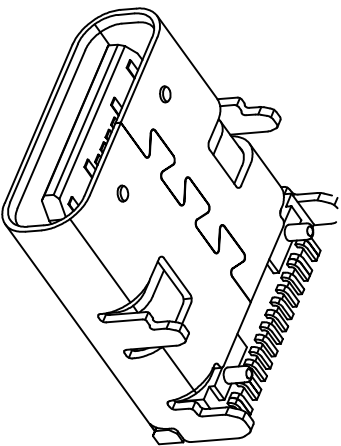
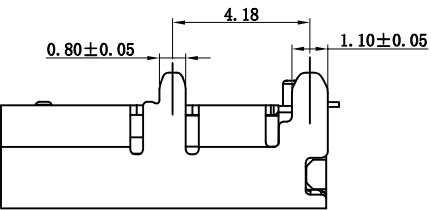
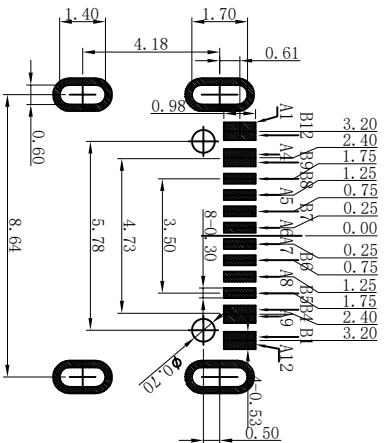
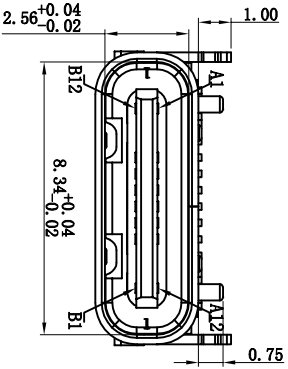
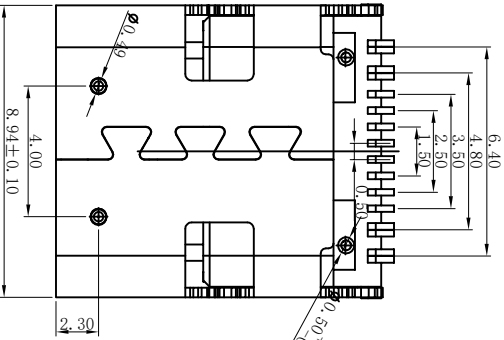
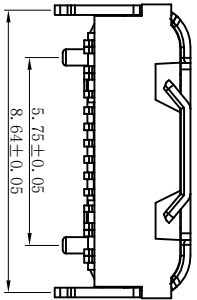
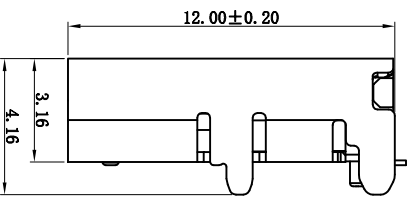


# ROHS 客户图



A1	GND	B12	GND
A4	VBUS	B9	VBUS
A5	CC1	B8	SRU2
A6	DP1	B7	DN2
A7	DN1	B6	DP2
A8	SBU1	B5	CC2
A9	VBUS	B4	VBUS
A12	GND	B1	GND
PIN	SIGNAL NAME	PIN	SIGNAL NAME

NO.	DESCRIPTION	MATERIAL	REMARKS	QTY
6	SHELL	STAINLESS STEEL	NI/SN Plated	1PCS
5	SHIELDING PLATE	STAINLESS STEEL	---	1PCS
4	MD	HIGH TEMPERATURE PLASTIC	BLACK	1PCS
3	CONTACT	COPPER ALLOY	Au/Ni Plated	1SST
2	CONTACT	COPPER ALLOY	Au/Ni Plated	1SST
1	HOUSING	HIGH TEMPERATURE PLASTIC	BLACK	1PCS

- NOTES:
- SPECIFICATION:
- CURRENT RATING: 5A MAX
  - VOLTAGE: 100 VAC
  - TEMPERATURE RANGE: -30 °C ~ 85 °C
  - CONTACT RESISTANCE: 40 MILLION MAX
  - INSULATION RESISTANCE: 100 MEGOHMS MIN.
  - INSERTION FORCE : 5N~20N
  - UNMATING FORCE: 8N~20N
  - DURABILITY: 10000 CYCLES

## 产品图

公差一览表

TOLERANCE UNLESS OTHERWISE SPECIFIED	UNIT	SCALE	DATE
X	±0.30	X	±5°
X	±0.25	X	±2°
XX	±0.20	XX	±1°
XXX	±0.15	XXX	±0.5°

深圳市鑫风雷电子有限公司  
Shenzhen xinfenglei Electronics Co., Ltd