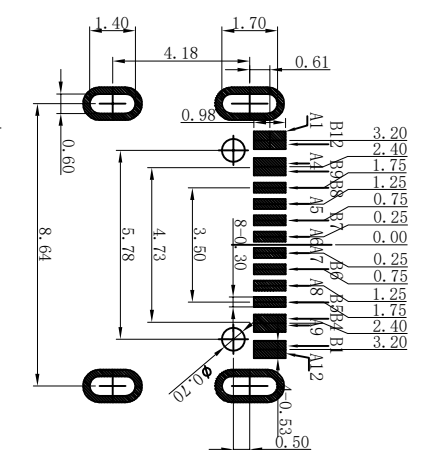
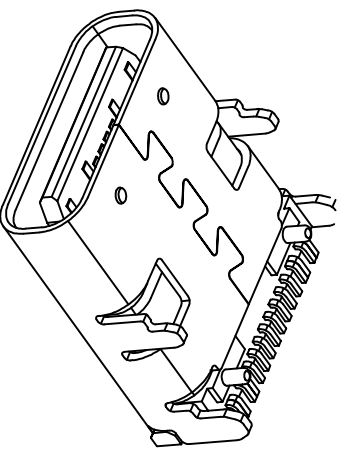
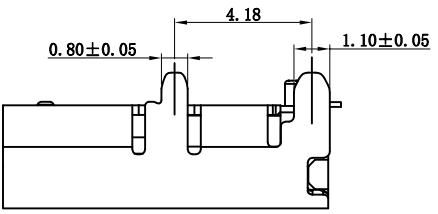
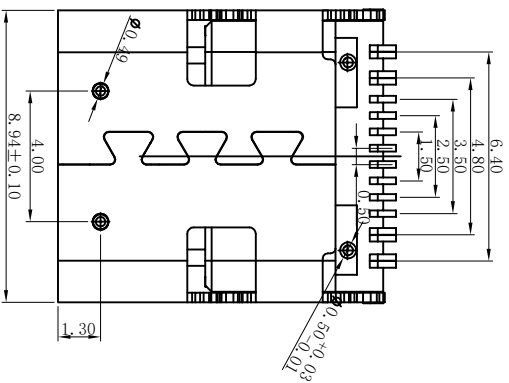
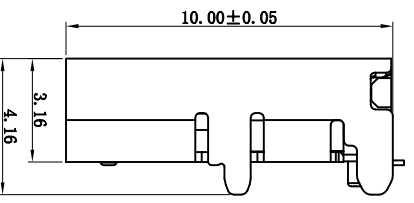


ROHS 客户图

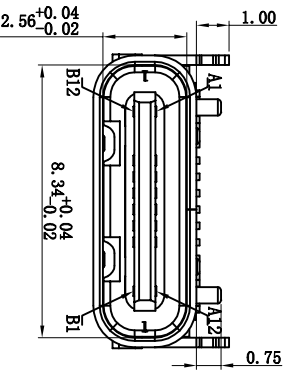
目錄 MAPX	变更内容 MODIFICATION	日期 DATE
A0	NEW	09-10-20



- NOTES:
SPECIFICATION:
1. CURRENT RATING: 5A MAX
2. VOLTAGE: 100 VAC
3. TEMPERATURE RANGE: -30 ° C ~ 85 ° C
4. CONTACT RESISTANCE: 40 MILLION MAX
5. INSULATION RESISTANCE: 100 MEGOHMS MIN.
6. INSERTION FORCE : 5N~20N
7. UNMATING FORCE: 8N~20N
8. DURABILITY: 10000 CYCLES



A1	GND	B12	GND
A4	VBUS	B9	VBUS
A5	CC1	B8	SRU2
A6	DP1	B7	DN2
A7	DN1	B6	DP2
A8	SBU1	B5	CC2
A9	VBUS	B4	VBUS
A12	GND	B1	GND
PIN	SIGNAL NAME	PIN	SIGNAL NAME



6	SHELL	STAINLESS STEEL	NI/SN Plated	IPCS
5	SHIELDING PLATE	STAINLESS STEEL	---	IPCS
4	MD	HIGH TEMPERATURE PLASTIC	BLACK	IPCS
3	CONTACT	COPPER ALLOY	Au/Ni Plated	1SST
2	CONTACT	COPPER ALLOY	Au/Ni Plated	1SST
1	HOUSING	HIGH TEMPERATURE PLASTIC	BLACK	IPCS
NO.	DESCRIPTION	MATERIAL	REMARKS	QTY

产品图

深圳市鑫风雷电子有限公司
Shenzhen xinfenglei Electronics Co., Ltd

公差一览表 TOLERANCE UNLESS OTHERWISE SPECIFIED		单位 UNITS	比例 SCALE	日期 DATE	制图 DRAWING	审核 CHECK	批准 APPRO
X	±0.30	X'	±5'		王冠 Wangguan	雷永健 Lei Yongjian	雷永健 Lei Yongjian
XX	±0.25	X''	±2'		雷永健 Lei Yongjian	雷永健 Lei Yongjian	雷永健 Lei Yongjian
XXX	±0.15	XXX'	±0.5'		雷永健 Lei Yongjian	雷永健 Lei Yongjian	雷永健 Lei Yongjian

PRODUCT CHART DWG	产品料号 PRODUCT PART NO.	24018-UCAR005-X
单位名称 UNIT	产品名称 PRODUCT NAME	Type C 16p母座板上型 L=10.0
比例 SCALE	联系方式 CONTACT	mailbox: sale1@xfll.com.com
日期 DATE	联系网站 CONTACT WEBSITE	www.xfll.com.com