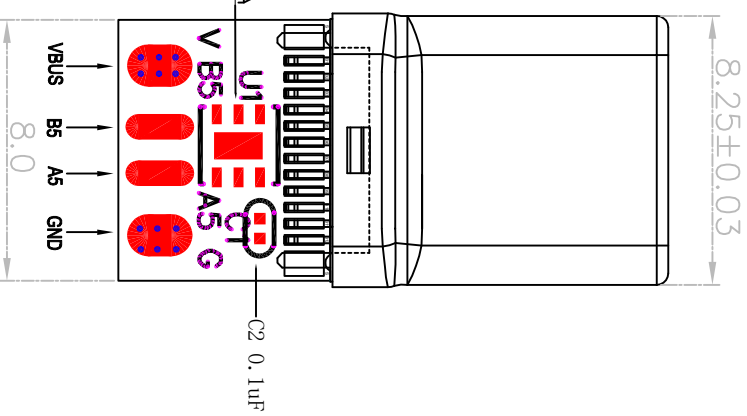
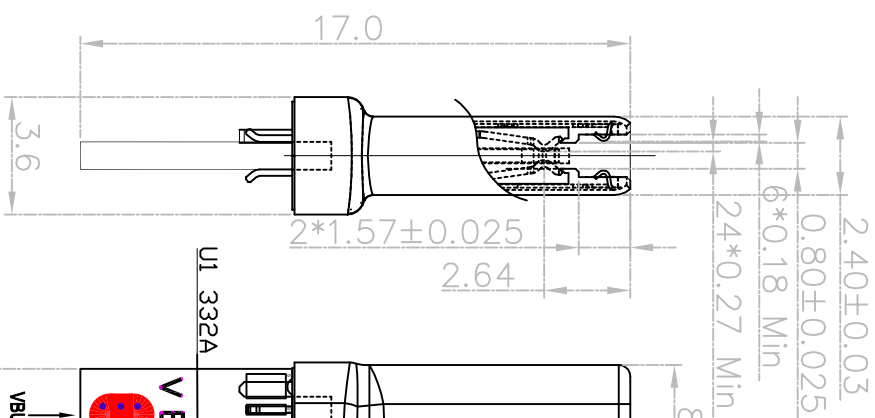
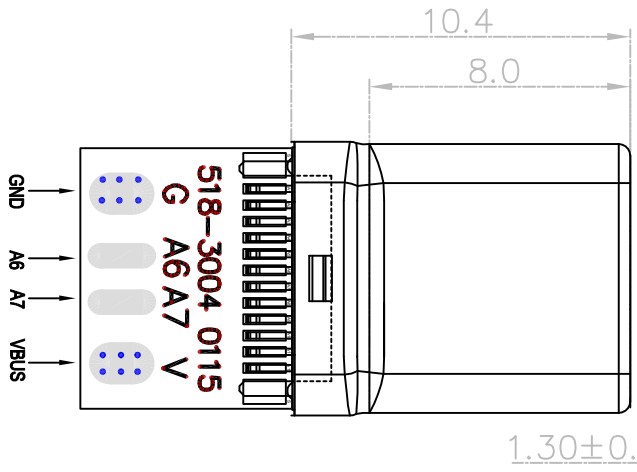
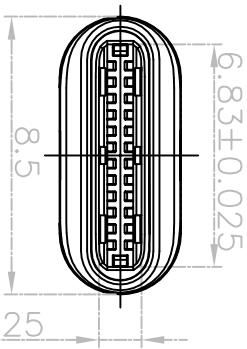


ROHS

客户图

目錄 MAPX	變更內容 MODIFICATION	日期 DATE
A0	NEW	09-10-20



NOTE:
 1. MATERIAL:
 1.1 INSULATOR: HIGH TEMPERATURE PLASTIC
 UL 94 V-0
 1.2 CONTACT: COPPER ALLOY(T=0.20mm)
 1.3 SHELL: STEEL(T=0.15mm)
 2. ELECTRICAL CHARACTERISTICS:
 2.1 CONTACT RESISTANCE: 40mΩ Max FOR INITIAL, 10mΩ
 CHANGE AFTER TEST: MEASURE AT 20mV, 100mA.
 2.2 CONTACT CURRENT RATING: 5A Max FOR VBUS/GND PIN, 0.9A Max FOR Other PIN.
 2.3 DIELECTRIC WITHSTANDING VOLTAGE: 100V AC R.M.S.
 2.4 INSULATION RESISTANCE: 100MΩMin
 2.5 OPERATING TEMPERATURE: -40C~85C
 3. MECHANICAL CHARACTERISTICS:
 3.1 MATING FORCE: 5~20 N.
 3.2 UNMATING FORCE: 6~20N AFTER TEST
 3.3 DURABILITY: 10,000 CYCLES, 500 CYCLES/H
 4. PLATING
 CONTACT: CONTACT AREA PLATING Au 30u"
 SOLDER AREA PLATING 80~120u" MATTING Sn, SHELL/SPRING/BUCKLE: 20u" Min PLATING OVER ALL

PCB: CT214, 四层板, FR4, 绿油沉金
 正面: 下方: 4个焊盘
 (V=VBUS)
 (A7=D-)
 (A6=B+) (G=GND)
 反面: 下方: 4个焊盘
 (G=GND)
 (B5=U1 IC第3脚)
 (A5=U1 IC第2脚)
 (V=VBUS)

电测示意图

A1,A12,B1,B12,SHELL	GND
A5	CC
B5	VCONN
A6	D+
A7	D-
A4,A9,B4,B9	VBUS
A2	TX1+
A3	TX1-
B1	RX2±
B10	RX2±
B2	TX2+
B3	TX2-
A11	RX2±
A10	SB01
A8	SB01
B8	SB02

产品图
PRODUCT CHART DWG

公差一览表
TOLERANCE UNLESS OTHERWISE

X	±0.30	X'	±5'
XX	±0.25	X''	±2'
XXX	±0.30	XXX'	±1'
XXX	±0.15	XXX''	±0.5'

深圳市鑫风雷电子有限公司
Shenzhen xinfenglei Electronic Co., Ltd

单位 UNITS	MM
比例 SCALE	1:1
日期 DATE	2009/10/20
制图 DRAWING	王冠 Wangguan
审核 CHKD	雷永健 Lei Yongjian
核准 APPD	雷永健 Lei Yongjian
产品料号 PRODUCT PART NO.	00304-UCAN011-X
产品名称 PRODUCT NO.	Type C 公头 2.0 C-C 带 B-MARK
角法 VIEW	
版本 VER	A0

此图是受保护的专有信息 THAT IS PROPRIETARY TO XINFENGLI ELECTRONIC CO.,LTD AND SHOULD NOT BE USED WITHOUT WRITTEN PERMISSION