

1

RoHS

2

客户图

3

4

5

6

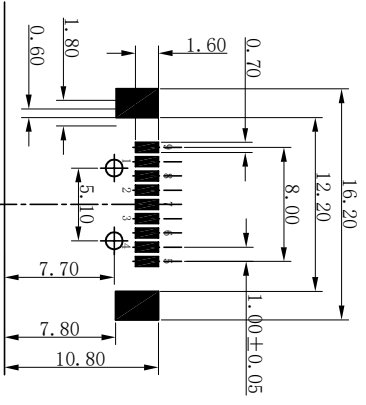
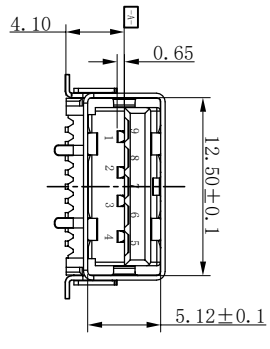
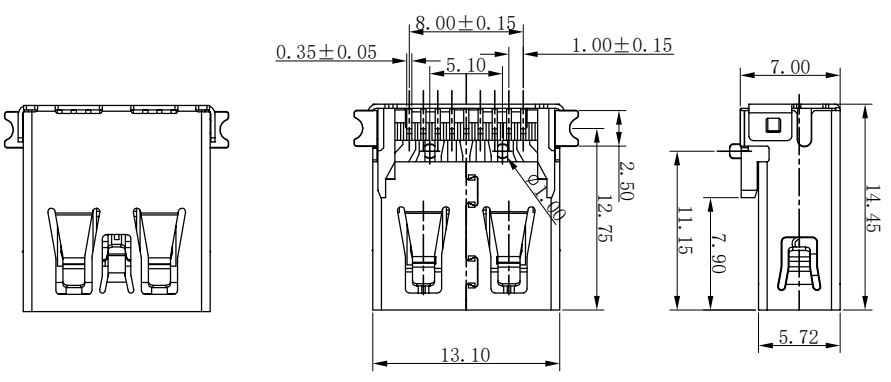
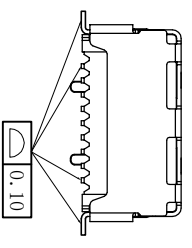
7

8

9

10

目录 MAPX	变更内容 MODIFICATION	日期 DATE
A0	NEW	09-10-20



PCB EDGE  
RECOMMENDED PCB LAYOUT

- NOTE:
- MATERIAL:
    - INSULATOR:HIGH TEMPERATURE PLASTIC
    - CONTACT:BRONZE,
    - SHELL:BRASS,
  - ELECTRICAL CHARACTERISTICS:
    - CONTACT RESISTANCE:30mΩ MAXIMUM
    - CONTACT CURRENT RATING:1.5A
    - DIELECTRIC WITHSTANDING VOLTAGE:100 V AC R. M. S.
    - INSULATION RESISTANCE 100 MEGOHMS MIN
    - OPERATING TEMPERATURE:-40° C ~ 85° C
  - MECHANICAL CHARACTERISTICS:
    - MATING FORCE:3.57kgf MAX
    - UNMATED FORCE:0.82kgf MIN AFTER TEST
    - DURABILITY MANDATORY:1,500 CYCLES
    - Salt Spray: 24 hours
  - PLATING:
    - TERMINAL:
      - MIN NICKEL ALL OVER
      - MIN TIN ON SOLDER AREA
      - 30µ Au ON CONTACT AREA
    - SHELL:50µ MIN NICKEL ALL OVER

Pin NUMBER	SIGNAL NAME
1	VBUS
2	D-
3	D+
4	GND
5	StdA_SSRX-
6	StdA_SSRX+
7	GND_DRAIN
8	StdA_SSTX-
9	StdA_SSTX+
Shield	Shield

产品图  
PRODUCT CHART DWG

深圳市鑫风雷电子有限公司

公差一览表 TOLERANCE UNLESS OTHERWISE		单位 UNITS	MM	制图 DRAWING	王冠	产品料号 PRODUCT PART NO.	26015-13A-F002-A
X	±0.30	X'	±5'	审核 CHKD	雷永健	产品名称 PRODUCT NO.	USB 3.0 A/F 板上SMT全贴有佳
X	±0.25	X'	±2'	核准 APPD	雷永健	短体 L=14.45无边	
XX	±0.30	XX'	±1'	角法 VIEW		版本 VER	A0
XXX	±0.15	XXX'	±0.5'	日期 DATE	2009/10/20		