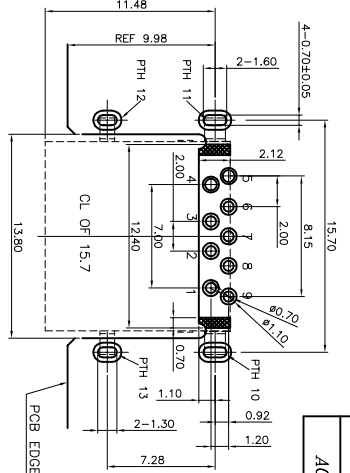
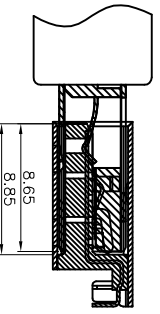
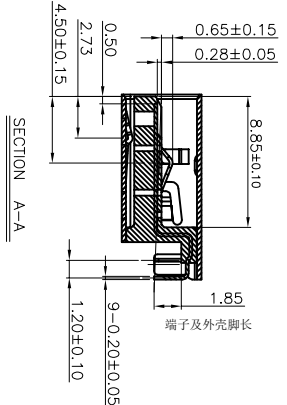
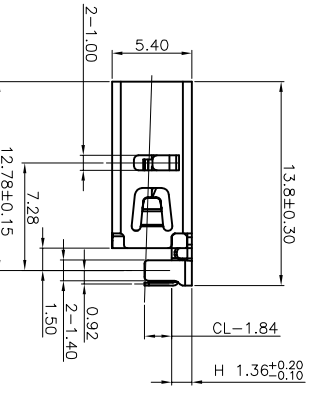
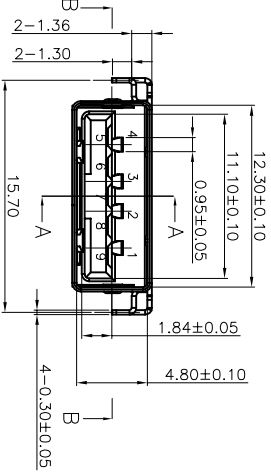
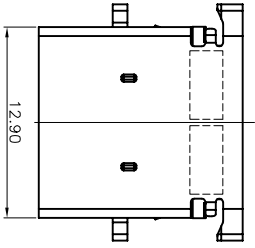
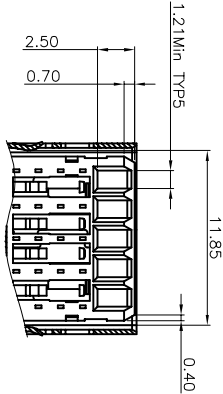
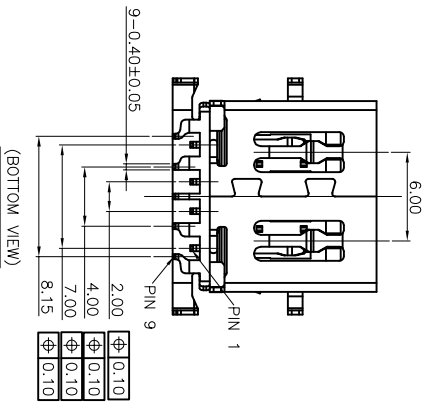


ROHS 客户图



TOLERANCE: ±0.05, THICKNESS: 1.0~1.2mm
RECOMMENDED PCB LAYOUT
KEEP OUT AREA



SECTION B-B

产品图

PRODUCT CHART DWG

公差一览表

TOLERANCE UNLESS OTHERWISE	公差
X	±0.30
X	±0.25
.XX	±0.30
.XXX	±0.15
X	±5°
X	±2°
.XX	±1°
.XXX	±0.5°

深圳市鑫风雷电子有限公司
Shenzhen xinfenglei Electronic Co., Ltd

单位 UNITS	MM
比例 SCALE	1:1
日期 DATE	2009/10/20
制图 DRAWING	王冠
审核 CHECK	雷永健
批准 APPROVE	雷永健
产品料号 PRODUCT PART NO.	25005-U3AF010-A
产品名称 PRODUCT NAME	USB 3.0 A 90度 反向面板 1.36 L=13.8 平口
联系方式 CONTACT	mailto:sale1@xfll.com
网址 WEBSITE	www.xfll.com

Pin #	SIGNAL NAME	DESCRIPTION	MATING SEQUENCE
1	VBUS	POWER	SECOND
2	D-	USB 2.0 DIFFERENTIAL PAIR	THIRD
3	D+		
4	GND	GROUND FOR POWER RETURN	SECOND
5	Stda_SSRX-	SUPERSPEED RECEIVER DIFFERENTIAL PAIR	LAST
6	Stda_SSRX+		
7	GND_DRAIN	GROUND FOR SIGNAL RETURN	
8	Stda_SSTX-	SUPERSPEED TRANSMITTER DIFFERENTIAL PAIR	
9	Stda_SSTX+		
Shield	Shield	CONNECTOR METAL SHELL	FRST

- NOTE:
- INSULATOR: HIGH TEMPERATURE PLASTIC UL 94 V-0;
 - CONTACT: COPPER ALLOY(T=0.2mm)
 - SHELL: SUS201(T=0.30mm)
2. ELECTRICAL CHARACTERISTICS:
- CONTACT RESISTANCE: 30m MAX.
 - CONTACT CURRENT RATING: 1.5A
 - DIELECTRIC WITHSTANDING VOLTAGE: 500 V R.M.S.
 - INSULATION RESISTANCE: 100 MEGOHMS M
 - OPERATING TEMPERATURE: -55°C~85°C
 - RATE VOLTAGE: 30V DC
3. MECHANICAL CHARACTERISTICS:
- MATING FORCE: 10 N Min INITIAL; 8 N Min AFTER TEST
 - UNMATED FORCE: 35 N Max
 - DURABILITY: 5,000 CYCLES
4. PLATING
- TERMINAL CONTACT: GOLD PLATING ALL OVER 50μ" MIN NICKEL AND 80μ" MIN MATTE TIN NICKEL IN SOLDER AREA (SEE TAB)
 - SHELL: 50μ" MIN. NICKEL ALL OVER

目录 MAPX	内装 MODIFICATION	日期 DATE
A0	NEW	09-10-20

