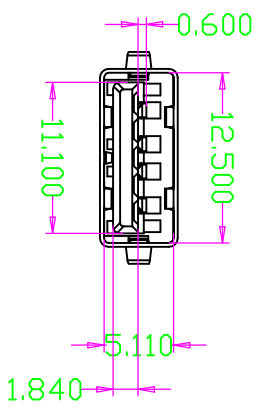
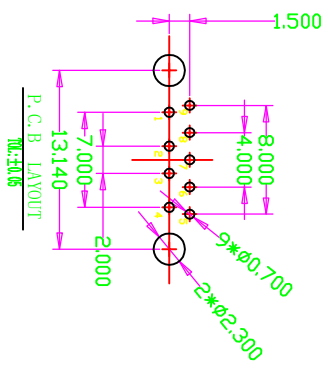
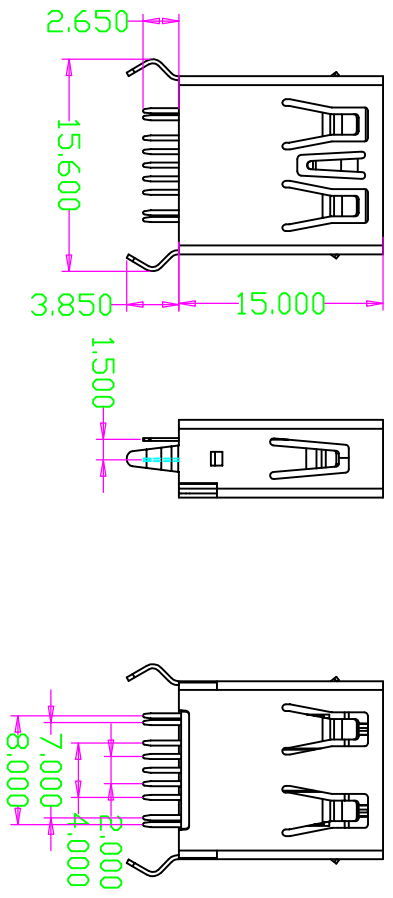


# ROHS 客户图

目錄 MAPX A0	設定內容 MODIFICATION NEW	日期 DATE 09-10-20
------------------	-----------------------------	------------------------



- NOTE:
- MATERIAL:
    - INSULATOR: HIGH TEMPERATURE PLASTIC
    - CONTACT: BRONZE
    - SHELL: BRASS
  - ELECTRICAL CHARACTERISTICS:
    - CONTACT RESISTANCE:  $30m\Omega$  MAXIMUM
    - CONTACT CURRENT RATING: 1.5A
    - DIELECTRIC WITHSTANDING VOLTAGE: 100 V AC R. M. S.
    - INSULATION RESISTANCE: 100 MEGOHMS MIN
    - OPERATING TEMPERATURE:  $-40^{\circ}C \sim 85^{\circ}C$
  - MECHANICAL CHARACTERISTICS:
    - MATING FORCE: 3.57kgf MAX
    - UNMATED FORCE: 0.82kgf MIN AFTER TEST
    - DURABILITY MANDATORY: 1,500 CYCLES
    - Salt Spray: 24 hours
  - PLATING:
    - TERMINAL:
      - 50 $\mu$ m MIN NICKEL ALL OVER
      - 80 $\mu$ m MIN Tin ON SOLDER AREA
      - (1 $\times$ 30)  $\mu$ m Au ON CONTACT AREA
    - SHELL: 50 $\mu$ m MIN. NICKEL ALL OVER

Pin NUMBER	STIGNAL NAME
1	V-BUS
2	D-
3	D+
4	GND
5	Stda_SSRX-
6	Stda_SSRX+
7	GND_DRAIN
8	Stda_SSTX-
9	Stda_SSTX+
	Shell/Shield

## 产品图

公差一览表 TOLERANCE UNLESS OTHERWISE SPECIFIED		单位 UNITS	MM	制图 DRAWING	王冠	产品料号 PRODUCT PART NO.	26015-U3AF014-B
X	$\pm 0.30$	X'	$\pm 5^{\circ}$	比例 Scales	雷永健	产品名称 PRODUCT NO.	USB 3.0 AF 180度弯脚无边 H=15.0
XX	$\pm 0.25$	X''	$\pm 2^{\circ}$	日期 DATE	雷永健	角法 VIEW	版本 VER
XXX	$\pm 0.15$	XXX'	$\pm 0.5^{\circ}$	核准 Appd	雷永健		A0