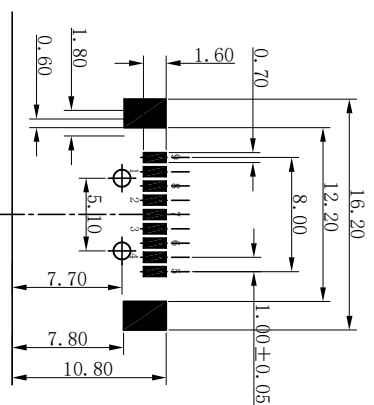
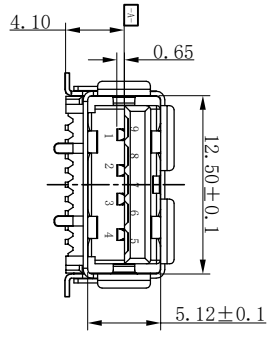
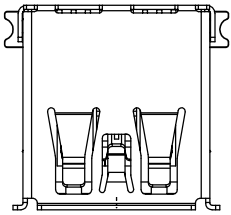
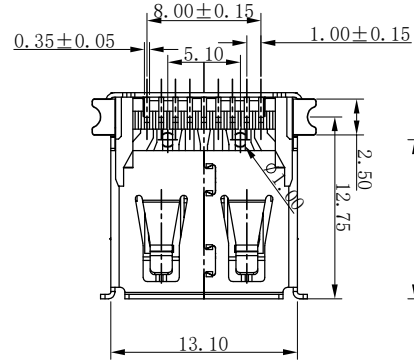
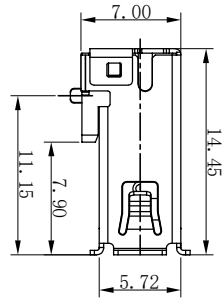
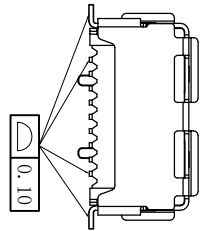


RoHS

客户图

1 2 3 4 5 6 7 8 9 10 11 12 13 14 15 16 17 18 19 20 21 22 23 24 25 26 27 28 29 30 31 32 33 34 35 36 37 38 39 40

目錄 MAPX	變更內容 MODIFICATION	日期 DATE
A0	NEW	09-10-20



PCB EDGE
RECOMMENDED PCB LAYOUT

Pin NUMBER	SIGNAL NAME
1	VBUS
2	D-
3	D+
4	GND
5	StdA_SSRX-
6	StdA_SSRX+
7	GND_DRAIN
8	StdA_SSTX-
9	StdA_SSTX+
	Shield

- NOTE:
- MATERIAL:
 - 1.1 INSULATOR:HIGH TEMPERATURE PLASTIC
 - 1.2 CONTACT:BRONZE,
 - 1.3 SHELL:BRASS,
 - ELECTRICAL CHARACTERISTICS:
 - 2.1 CONTACT RESISTANCE:30mΩ MAXIMUM
 - 2.2 CONTACT CURRENT RATING:1.5A
 - 2.3 DIELECTRIC WITHSTANDING VOLTAGE:100 V AC R. M. S.
 - 2.4 INSULATION RESISTANCE 100 MEGOHMS MIN
 - 2.5 OPERATING TEMPERATURE:-40° C ~ 85° C
 - MECHANICAL CHARACTERISTICS:
 - 3.1 MATING FORCE:3.57kgf MAX
 - 3.2 UNMATED FORCE:0.82kgf MIN AFTER TEST
 - 3.3 DURABILITY MANDATORY:1,500 CYCLES
 - 3.4 Salt Spray: 24 hours
 - PLATING
 - 4.1 TERMINAL:
 - 50u" MIN NICKEL ALL OVER
 - 80u" MIN Tin ON SOLDER AREA
 - (1"30"u" Au ON CONTACT AREA
 - 4.2 SHELL:50u" MIN NICKEL ALL OVER

产品图

深圳市鑫风雷电子有限公司

公差一览表 TOLERANCE UNLESS OTHERWISE		单位 UNITS	MM
X	±0.30	X'	±5'
X	±0.25	X'	±2'
XX	±0.30	XX'	±1'
XXX	±0.15	XXX'	±0.5'

制图 DRAWING	王冠	产品料号 PRODUCT PART NO.	26015-13A#002-B
审核 CHKD	雷永健	产品名称 PRODUCT NO.	USB 3.0 A# 板上SMT全贴有边
核准 APPD	雷永健	短体 L=14.45有边	
日期 DATE	2009/10/20	角法 VIEW	版本 VER
			A0