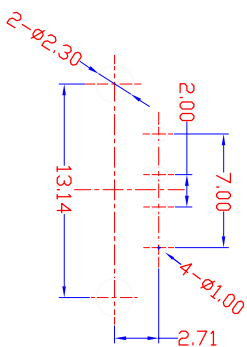
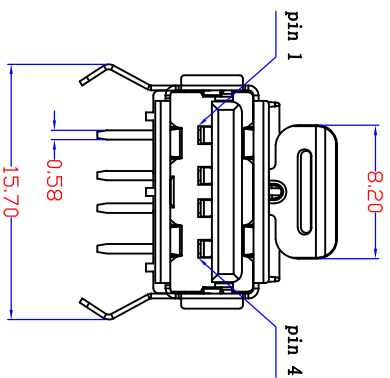
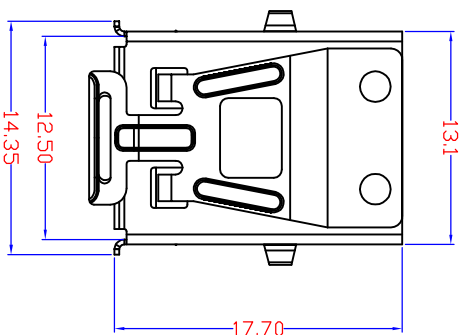


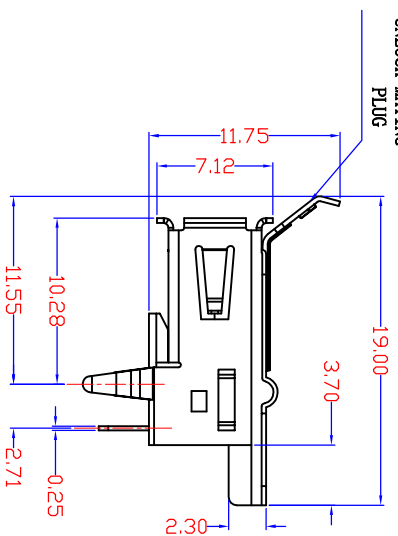
ROHS

客户图



RECOMMEND P. C. B. LAYOUT

PUSH LATCH THIS
DIRECTION TO
UNLOCK MATING
PLUG



NOTES:

1. MATERIAL SPECIFICATION:

- 1) HOUSING MATERIAL: BLACK LCP ROHS;
- 2) SHELL MATERIAL: C2680 T=0.30mm
PLATING: NICKEL;
- 3) SHRAPNEL MATERIAL: SUS304 T=0.30mm
- 4) TERMINAL: C5191 T=0.25mm
PLATING: SEMI GOLD TIN 30U;

2. ELECTRICAL CHARACTERISTIC:

- 1) INSULATION RESISTANCE: 1000M Ω MIN;
 - 2) CONTACT RESISTANCE: 30m Ω MAX;
 - 3) WITHSTANDING VOLTAGE: 500V AC;
3. MECHANICAL CHARACTERISTICS:
- 1) INSERTION FORCE: 3.57Kgf Max;
 - 2) EXTRACTION FORCE: 1.02Kgf Min;

PRODUCT CHART DWG

TOLERANCE UNLESS OTHERWISE		UNITS	MM	DRAWING	PRODUCT PART NO.
X	±0.30	X'	±5'		
X	±0.25	X'	±2'		
XX	±0.30	XX'	±1'		
XXX	±0.15	XXX'	±0.5'	DATE	2009/10/20
				APPD	
				VIEW	

深圳市鑫风雷电子有限公司