

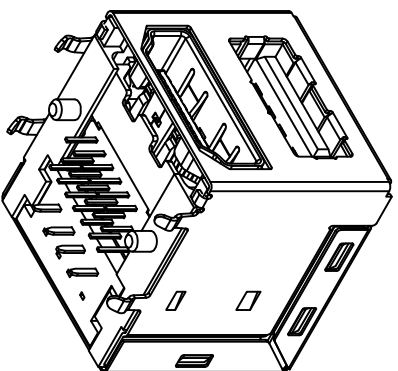
RoHS 客户图

目錄 MAPX A0	變更內容 MODIFICATION NEW	日期 DATE 09-10-20
------------------	-----------------------------	------------------------

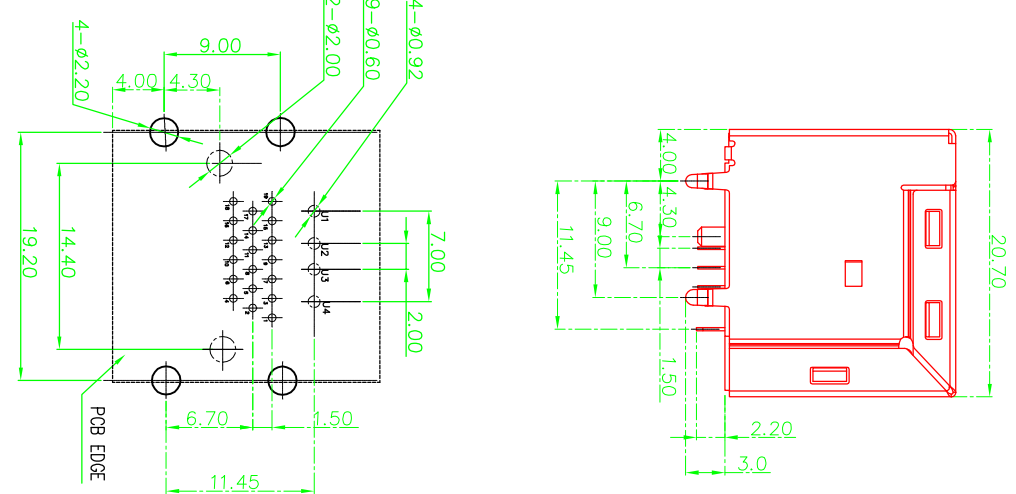
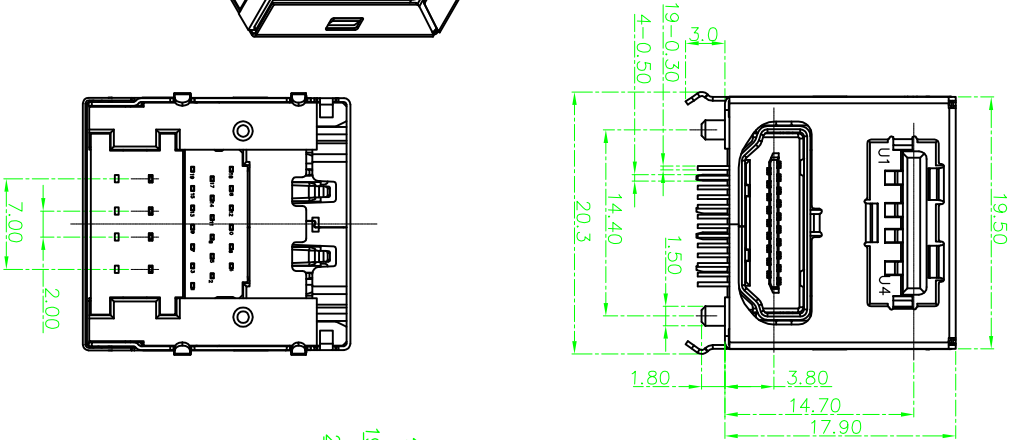
- NOTES:
- 1.MATERIAL:
- 1.1 USB HOUSING: PBT COLOR : BLACK
 - 1.2 HDMI HOUSING: LCP, COLOR: BLACK
 - 1.3 CONTACT : COPPER ALLOY
 - 1.4 USB SHELL: STAINLESS STEEL
 - 1.5 HDMI SHELL: COPPER ALLOY
- 2.FINISH:
- 2.1 HDM/USB CONTACT: (SEE P/N.), 50μm MIN. NICKEL UNDERPLATING OVER ALL
 - 2.2 SHELL: 50μm MIN. NICKEL OVER ALL
3. P/N DESCRIPTION :
- 1UF4 XX 188 X X C 0
- (1) (2) (3) (4) (5)

- (1).PLATING:
- 21: FLASH GOLD ON CONTACT AREA / 100μm MIN TIN ON SOLDER AREA / 25: 15μm GOLD ON CONTACT AREA / 100μm MIN TIN ON SOLDER AREA.
- (2).X: "R": RoHS "G": GP...
 (3).X: Color: "K": BLACK, "G": WHITE...
 (4).X: PACKING: C-TRAY WITHOUT CAP...
 (5).X: 0-NO OWP LOGO, 1-WITH OWP LOGO...

NAME	TYPE	HDMI
1	TMDS data2+	
2	TMDS data2_Shield	
3	TMDS data2_	
4	TMDS data1+	
5	TMDS data1_Shield	
6	TMDS data1_	
7	TMDS data0+	
8	TMDS data0_Shield	
9	TMDS data0_	
10	TMDS Clk+	
11	TMDS Clk_Shield	
12	TMDS Clk_	
13	CEC	
14	Reservd(nc)	
15	SCL	
16	SDA	
17	DDA/CEC_Gnd	
18	F_5V	
19	hot_plug_Detect	



NAME	TYPE	USB
U1	VBUS	
U2	D-	
U3	D+	
U4	GND	



产品图
PRODUCT CHART DWG

深圳市鑫风雷电子有限公司

公差一览表 TOLERANCE UNLESS OTHERWISE		单位 UNITS	MM	制图 DRAWING	王冠	产品料号 PRODUCT PART NO.	25006-U2HDMI1-X
X	±0.30	X	±5°	比例 SCALE	1:1	审核 CHKD	雷永健
XX	±0.25	X'	±2'	日期 DATE	2009/10/20	核准 APPD	雷永健
XXX	±0.30	XX'	±1'	角法 VIEW		版本 VER	A0
	±0.15	XXX'	±0.5'				