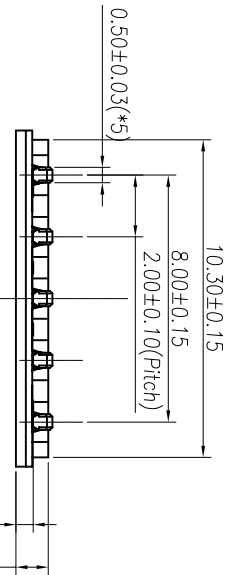
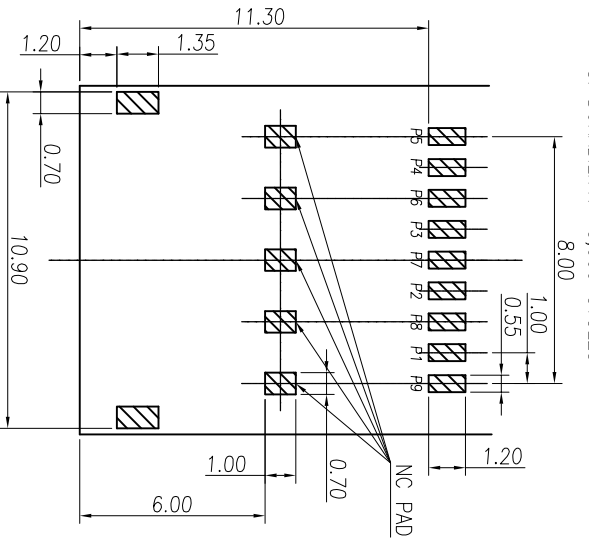
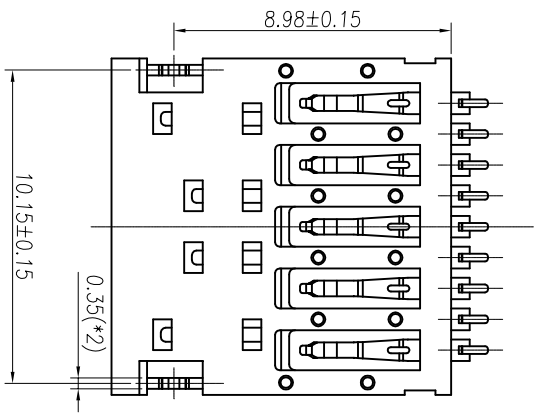
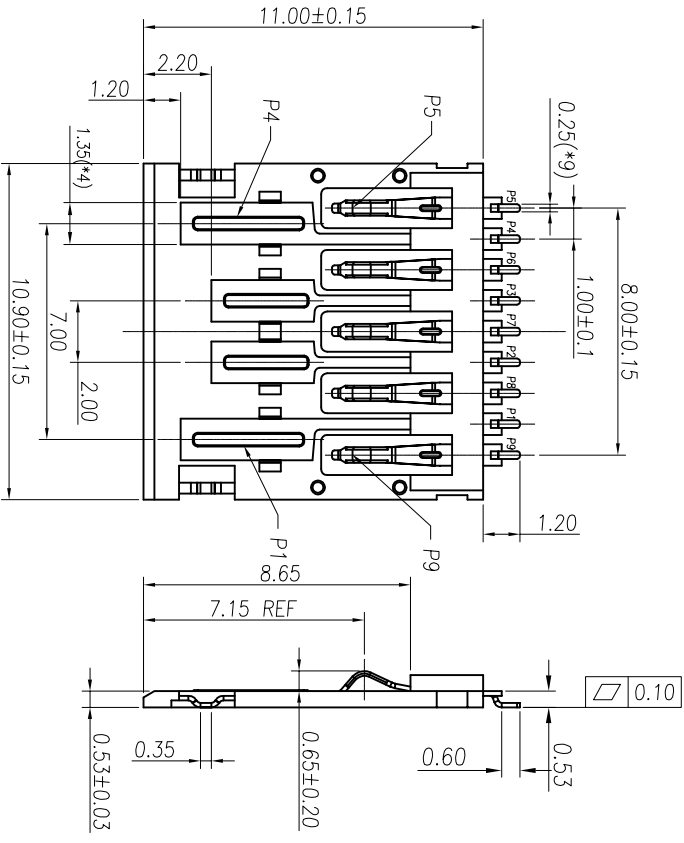


# ROHS 客户图

目錄 MAPX A0	设计内容 MODIFICATION NEW	日期 DATE 09-10-20
------------------	-----------------------------	------------------------

NOTES:  
SPECIFICATION:

1. CURRENT RATING: 1.5A MAX
2. VOLTAGE: 100 VAC
3. TEMPERATURE RANGE: -30 °C ~ 85 °C
4. CONTACT RESISTANCE: 40 MILLIONHM MAX
5. INSULATION RESISTANCE: 100 MEGOHMS MIN.
6. INSERTION FORCE: 5N~20N
7. UNMATING FORCE: 8N~20N
8. DURABILITY: 3,000 CYCLES



Pin NUMBER	SIGNAL NAME
1	VBUS
2	D-
3	D+
4	GND
5	StDA_SSRX-
6	StDA_SSRX+
7	GND_DRAIN
8	StDA_SSTX-
9	StDA_SSTX+

2	HOUSING	LCP	Blue	1SET
1	CONTACT	COPPER ALLOY	Au/Tin/NI Plated	1SET
NO.	DESCRIPTION	MATERIAL	REMARKS	QTY

公差一览表

TOLERANCE UNLESS OTHERWISE	UNIT	SCALE	DATE	DATE
X	±0.30	X'	±5'	
XX	±0.25	X''	±2'	
XXX	±0.20	XX'	±1'	
	±0.15	XXX'	±0.5'	

深圳市鑫风雷电子有限公司  
Shenzhen xinfenglei Electronics Co., Ltd

产品料号 17008-U3AM001-B  
产品名称  
联系方式  
mailbox: sale1@xfll.com.com  
www\_xfll.com.com