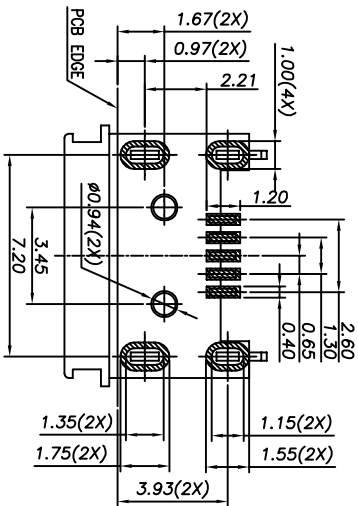
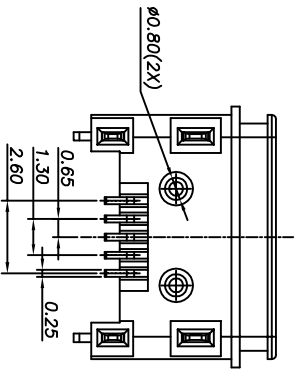
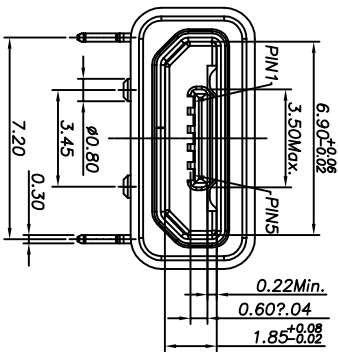
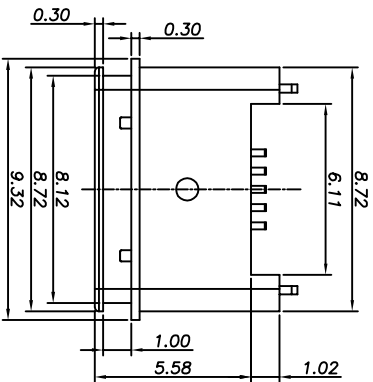
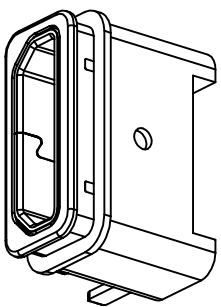
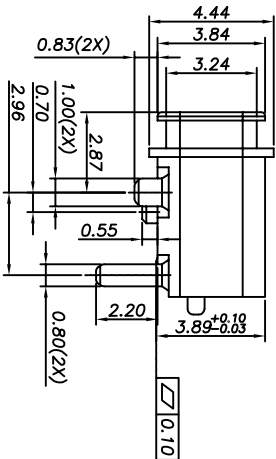


# ROHS 客户图



RECOMMENDED PCB LAYOUT(TOP VIEW)  
DEFAULT TOLERANCE:2.05



- NOTE:
- 1.MATERIAL SPECIFICATION:  
1.HOUSING:ICP UL94 V-0 BLACK.  
2.CONTACTS: BRASS(C2680)  
3.FRONT SHELL: STAINLESS STEEL(SUS304)  
2.PLATING SPECIFICATION:  
2-1.TERMINAL:  
Ni 50u" MIN. UNDER PLATED OVER ALL.  
GOLD FLASH PLATED ON THE FUNCTIONAL AREA OF CONTACT.  
Au 1u" PLATED ON THE SOLDER AREA  
2-2.FRONT SHELL:  
Ni 30u" MIN. UNDER PLATED OVER ALL.  
MATE Sn 50u" MIN. PLATED OVER ALL  
3.MECHANICAL PERFORMANCE:  
3-1.INSERTION FORCE: 3.5Kgf MAX  
3-2.REMOVAL FORCE: 0.8Kgf MIN  
3-3.DURABILITY: 10000 CYCLES.  
4.ELECTRICAL PERFORMANCE:  
4-1.CURRENT RATING:  
VBUS & GND PINS: 1.8A MAX.  
OTHER PINS: 0.5A MAX.  
4-2. LCCR:  
SHIELD: 50mΩ/MAX.  
VBUS & GND PINS AND OTHER PINS: 30mΩ/PIN MAX.  
LCCR MAX. CHANGE OF ALL PINS: 10mΩ.  
4-3.INSULATION RESISTANCE: 100MΩ MIN  
4-4.DIELECTRIC WITHSTAND VOLTAGE:AC 100V FOR 1 MINUTE.  
5. ENVIRONMENTAL PERFORMANCE:  
OPERATING TEMPERATURE: -25~+85℃  
6. IR REFLOW:  
THE PEAK TEMPERATURE ON THE BOARD SHALL BE MAINTAINED FOR 10 SECONDS AT 260°C.

MICRO USB PIN ASSIGNMENTS

PIN NUMBER	SIGNAL NAME
Pin1	VBUS
Pin2	D-
Pin3	D+
Pin4	ID
Pin5	GND

## 产品图

PRODUCT CHART DWG

### 公差一览表

TOLERANCE UNLESS OTHERWISE SPECIFIED	公差
X	±0.30
X	±0.25
.XX	±0.30
.XXX	±0.15

深圳市鑫风雷电子有限公司  
Shenzhen xinfenglei Electronic Co., Ltd

单位 UNITS	MM
比例 SCALE	1:1
日期 DATE	2009/10/20
制图 DRAWING	王冠
审核 CHECK	雷永健
核准 APPROV	雷永健
产品料号 PRODUCT PART NO.	24001-UMKF039-X
产品名称 PRODUCT NO.	MICRO 5P母座板上型防水型
角法 VIEW	版本 VER
	A0