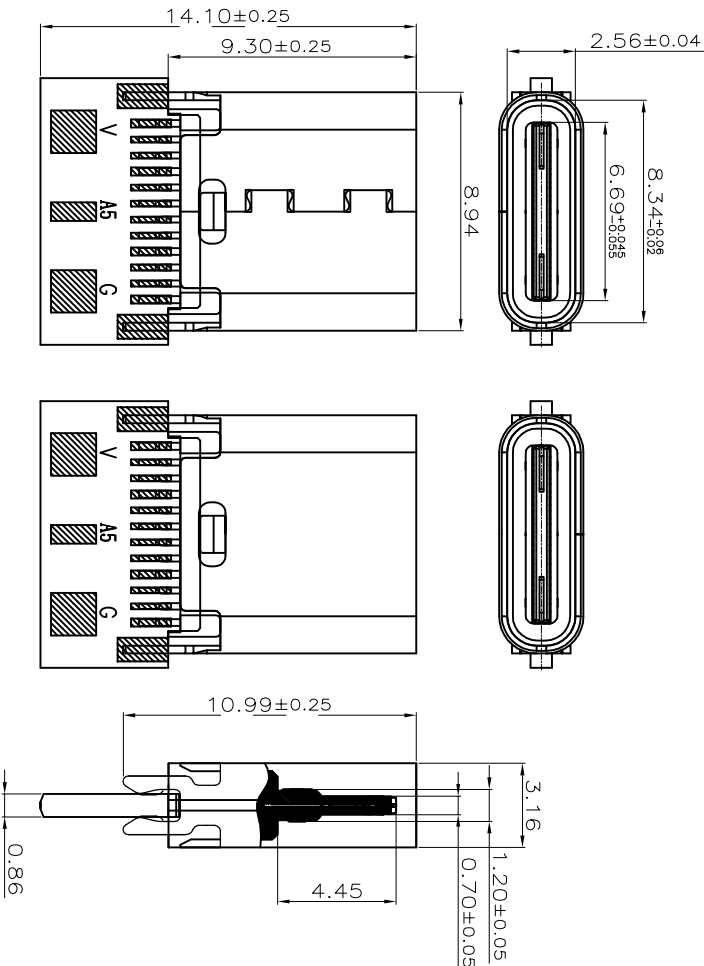
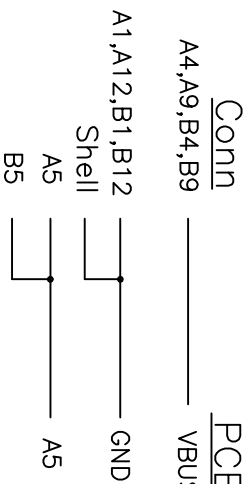


# RoHS 客户图

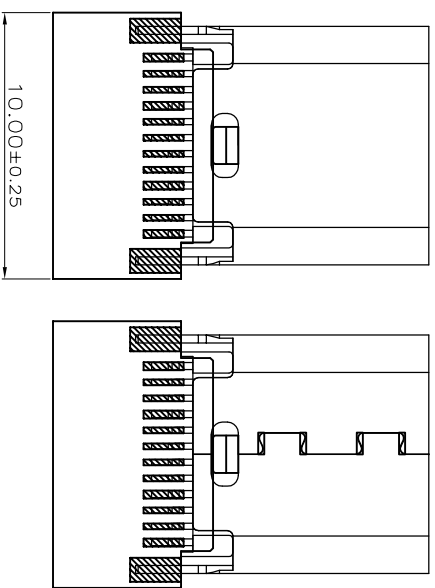


## Pin Assignment



目錄 MAPX	变更内容 MODIFICATION	日期 DATE
A0	NEW	23-05-05

- NOTES:
- MECHANICAL:
    - MATING FORCE: 5-20N MAX.
    - UNMATING FORCE: 8-20N MIN
    - DURABILITY: 10000 CYCLES
  - ELECTRICAL:
    - CONTACT CURRENT RATING: 1.25A/PIN FOR VBUS AND GND, 0.9A/PIN FOR ALL OTHER CONTACT.
    - DIELECTRIC WITHSTANDING VOLTAGE: 100V AC AT SEA LEVEL.
    - LOW LEVEL CONTACT RESISTANCE: 40mΩ MAX FOR VBUS AND GND, 50mΩ MAX FOR OTHER CONTACTS.
    - INSULATION RESISTANCE: 100MΩ MIN AT 25.0VDC.
    - OPERATING TEMPERATURE: -55°~85°。E
  - Materials
    - Contact: PHOSPHOR COPPER
    - G/F Au ON CONTACT AREA, 100u"Min TIN ON SOLDER AREA. 50u" NICKEL UNDERPLATING OVERALL
    - Housing: LCP E130I UL94V-0
    - Shell: Stainless Steel
    - 50u" NICKEL PLATING OVER ALL.
    - mid-plate: Stainless Steel rines
    - PCB: FR-4 HF



## 产品图

PRODUCT CHART DWG

### 公差一览表

TOLERANCE UNLESS OTHERWISE	X'	X'	±5'	±2'	±1'	±0.5'
XXX	±0.30	±0.20	±0.15	XXX'	±0.5'	

深圳市鑫风雷电子有限公司  
Shenzhen xinfenglei Electronics Co., Ltd

单位 UNITS	MM	制图 DRAWING	王冠 Wangguan	产品料号 PRODUCT PART NO.	17014-UCAR004-X
比例 SCALE	1:1	审核 CHECK	雷永健 Leiyongjian	产品名称 PRODUCT NO.	
日期 DATE	2023/05/05	核准 APPRO	雷永健 Leiyongjian	联系方式 Mailbox/used	mailbox: sale1@xfll.com www. xfll.com. com