

1 ROHS

2 客户图

3 CF

7 目錄 MAPX

8 变更内容 MODIFICATION

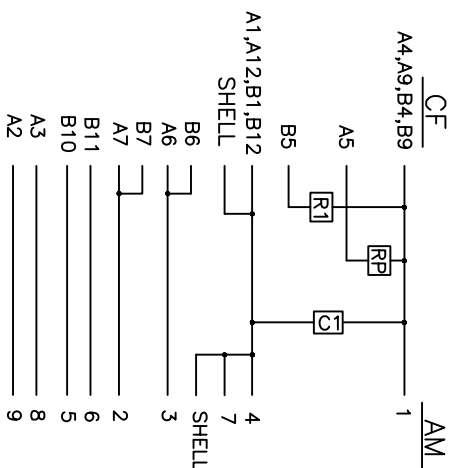
10 日期 DATE

A0

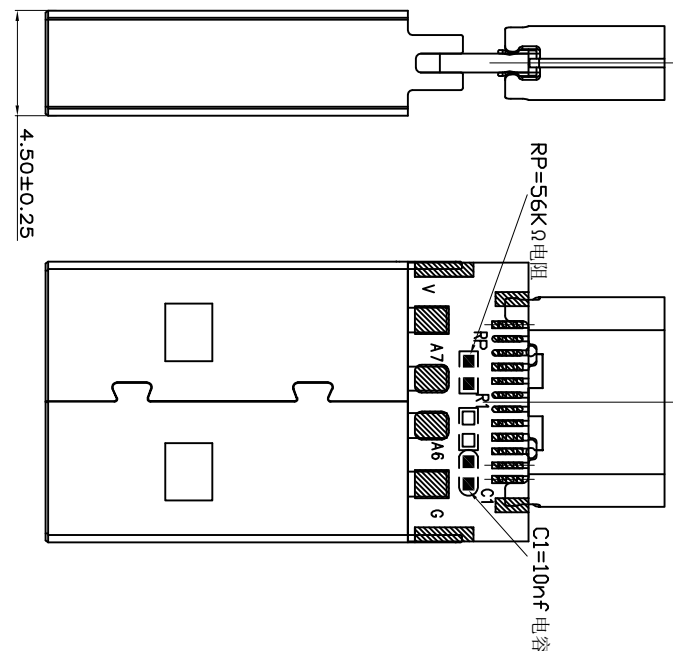
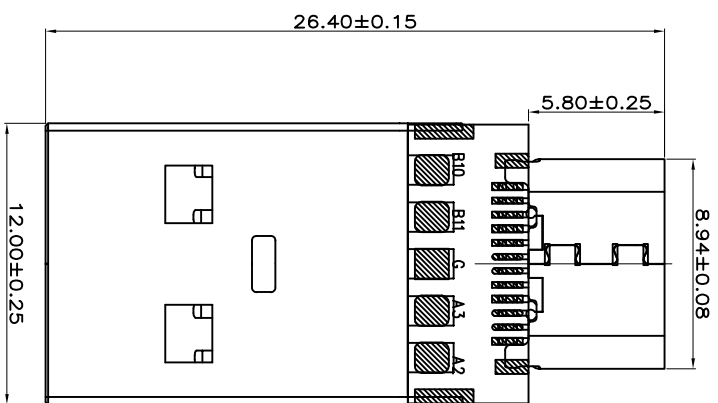
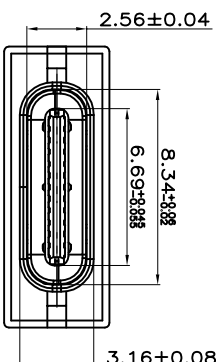
NEW

23-05-05

Pin Assignment



- NOTES:
- MECHANICAL:
 - MATING FORCE: 5-20N .
 - UNMATING FORCE: 8-20N .
 - DURABILITY: 10000 CYCLES
 - ELECTRICAL:
 - CONTACT CURRENT RATING: 1.25A/PIN FOR VBUS AND GND, 0.9A/PIN FOR ALL OTHER CONTACT.
 - DIELECTRIC WITHSTANDING VOLTAGE: 100V AC AT SEA LEVEL.
 - LOW LEVEL CONTACT RESISTANCE: 40mΩ MAX FOR VBUS AND GND, 50mΩ MAX FOR OTHER CONTACTS.
 - INSULATION RESISTANCE: 100MΩ MIN AT 250VDC.
 - OPERATING TEMPRATUR: -55° ~85°



AM

特性: Specificationg:
 电势: Electrical:
 接触阻抗: Contact Resistance:
 30 milliohms MAX
 耐压: Dielectric Withstanding Voltage:
 100V AC AT Sea Level
 绝缘阻抗: Insulation Resistance:
 110 MEGA ohms MIN

材料: Matorial:
 塑胶: Housing Hing Temperature Thermoplastics
 LCP 蓝胶 塑胶
 端子: Contact: 5PIN C7025 4PIN C2680T=0.2mm
 外铁壳: Shell:SPCC 铁 T=0.3mm
 端子: Contact:Plated Gold in Mating Area,
 Tin 0n solder Falls
 接触点镀金 3u ", 焊锡脚镀锡100-120u".
 盐雾测试过24小时.

4	EMI LATCH	Stainless Steel	Stainless Steel	1
3	SHELL	Stainless Steel	NICKEL	1
2	TERMINAL	High performance copper alloy	Half gold tin	24
1	HOUSING	LCP+30%G.F UL 94V-0 BLACK	PLATING	1
NO.	PART NAME	MATERIAL	THICKNESS	Q' TY

产品图

深圳市鑫风雷电子有限公司

Shenzhen xinfenglei Electronics Co., Ltd

公差一览表		单位		制图		产品料号	
TOLERANCE UNLESS OTHERWISE		UNITS		DRAWING		PRODUCT PART NO.	
X	±0.30	X'	±5°	王冠	17014-CFTAM01-X	TYPE G端子IU 转 3.0 AM端子镀金3u L=26.4	
.X	±0.25	.X'	±2°	雷永健		RP=56KΩ电阻C1=10nF电容	
.XX	±0.20	.XX'	±1°	雷永健			
.XXX	±0.15	.XXX'	±0.5°	雷永健			
日期	2023/05/05	日期	2023/05/05	核准	雷永健	联系方式	mailto:sale@xfle.com
DATE	2023/05/05	DATE	2023/05/05	Appd	Lei Yongjian	联系网站	www.xf1.com.com