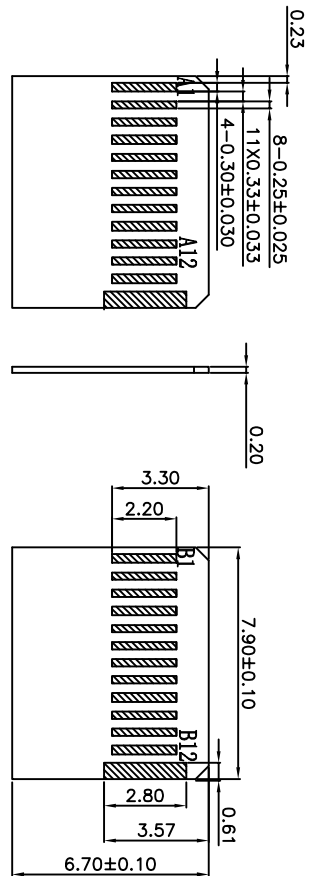
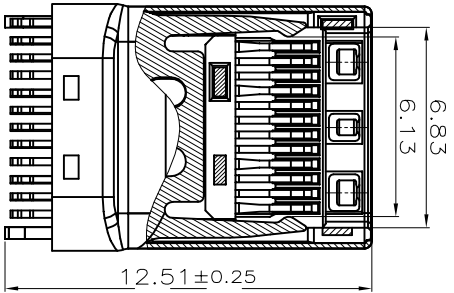
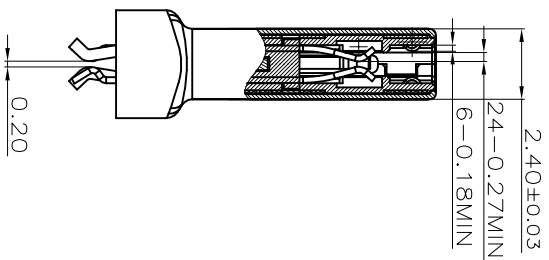
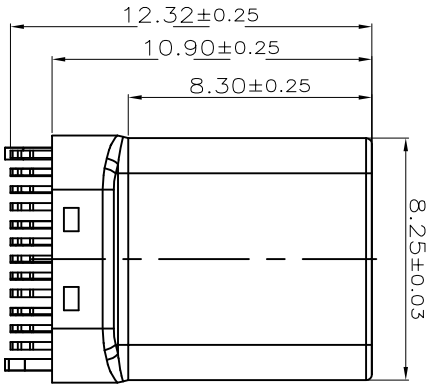
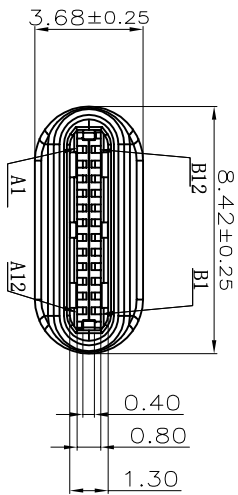


# RoHS 客户图

目錄 MAPX A0	變更內容 MODIFICATION NEW	日期 DATE 23-05-05
------------------	-----------------------------	------------------------



pcb layout 参考图

- NOTES:
- MECHANICAL:
    - MATING FORCE: 5-20N .
    - UNMATING FORCE: 8-20N .
    - DURABILITY: 10000 CYCLES
  - ELECTRICAL:
    - CONTACT CURRENT RATING: 1.25A/PIN FOR VBUS AND GND, 0.9A/PIN FOR ALL OTHER CONTACT.
    - DIELECTRIC WITHSTANDING VOLTAGE: 100V AC AT SEA LEVEL.
    - LOW LEVEL CONTACT RESISTANCE: 40mΩ MAX FOR VBUS AND GND, 50mΩ MAX FOR OTHER CONTACTS.
    - INSULATION RESISTANCE: 100MΩ MIN AT 250VDC.
    - OPERATING TEMPRATUR: -55° ~85°
  - MATERIALS&Plating
    - Contact: High performance copper alloy C7025, 3u" Min Au ON CONTACT AREA, 120u" Min TIN ON SOLDER AREA, 60u" NICKEL UNDERPLATING OVERALL.
    - Housing: LCP EI301 UL94V-0
    - Shell: Stainless Steel SUS316L; 60u" NICKEL PLATING OVER ALL.
    - Retention latch: Stainless Steel SUS301; 50u" NICKEL PLATING; 100u" Min TIN ON SOLDER AREA
    - EMC Shielding Spring: Stainless Steel SUS304; rines

PRODUCT CHART DWG		单位 UNITS		MM	
公差一览表 TOLERANCE UNLESS OTHERWISE		比例 SCALE		1:1	
X	±0.30	X'	±5'	日期 DATE	2023/05/05
X	±0.25	X''	±2'	制图 DRAWING	王冠 Wangguan
XX	±0.20	XX'	±1'	审核 CHKD	雷永健 Lei Yongjian
XXX	±0.15	XXX'	±0.5'	核准 APPD	雷永健 Lei Yongjian
产品料号 PRODUCT PART NO.		产品名称 PRODUCT NO.		联系方式 Contact/ web	
17014-UCAM005-X		Type C 3pin连接器 间距 2.8mm 板厚 0.2mm 使用材料: 铜		mailbox: sale1@xfll.com.com www. xfll.com.com	

深圳市鑫风雷电子有限公司  
Shenzhen xinfenglei Electronics Co., Ltd