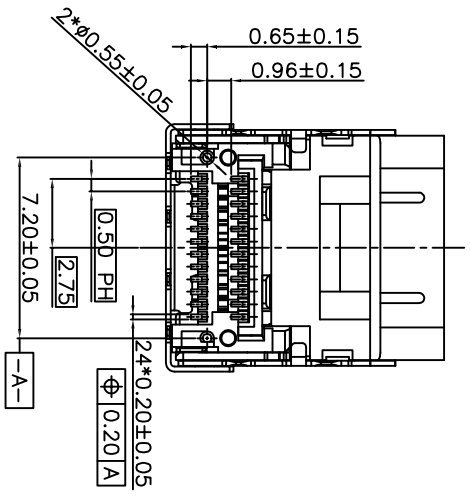
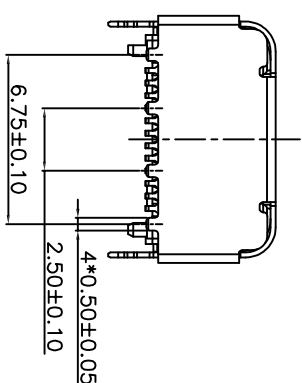
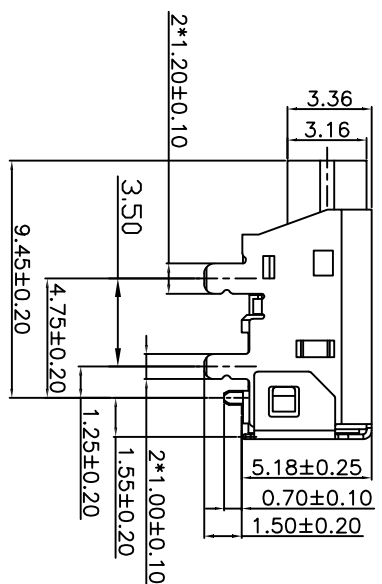
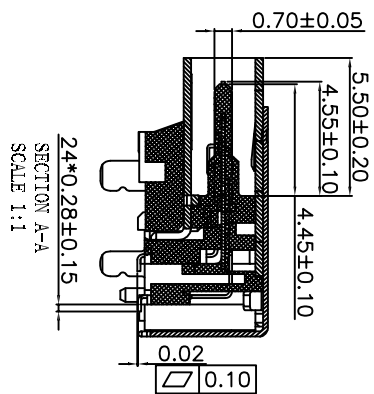
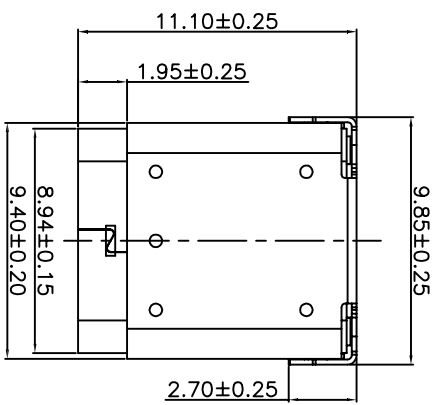


1 2 3 4 5 6 7 8 9 10

ROHS

客户图



产品图

PRODUCT CHART DWG

公差一览表

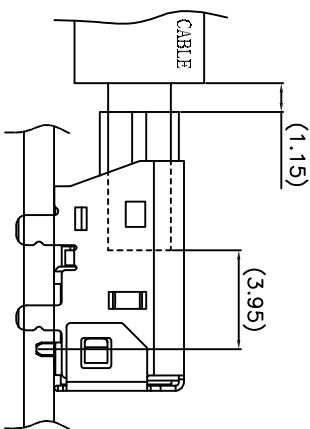
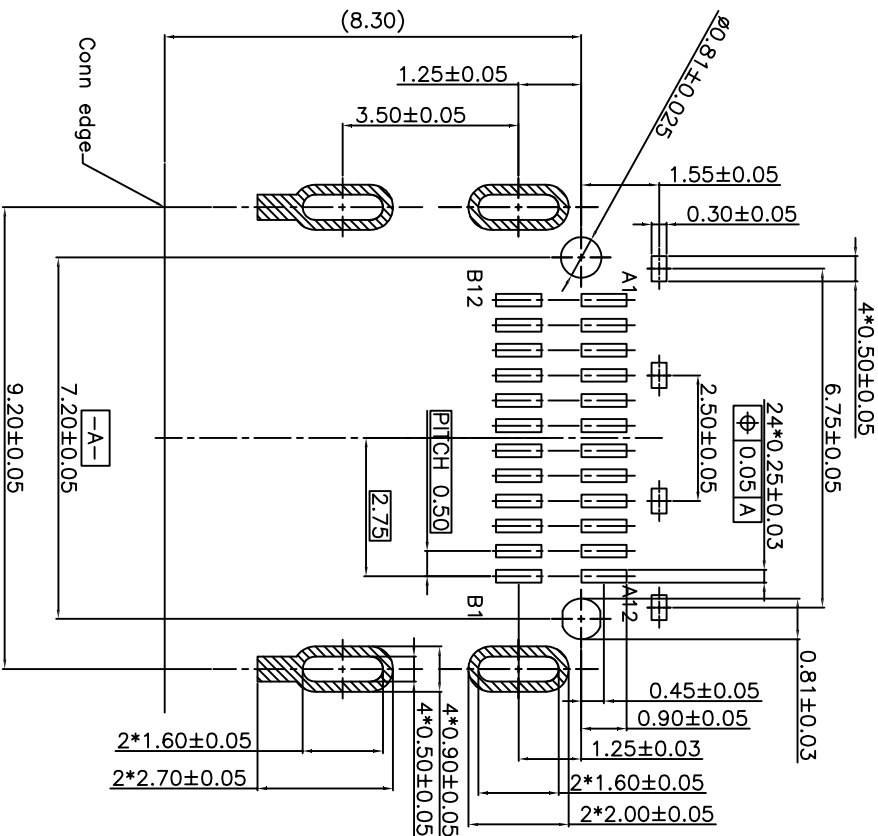
| TOLERANCE UNLESS OTHERWISE | X | XX | XXX |
|----------------------------|---|----|-----|
| ±0.30 | X | XX | XXX |
| ±0.25 | X | XX | XXX |
| ±0.20 | X | XX | XXX |
| ±0.15 | X | XX | XXX |

深圳市鑫风雷电子有限公司

Shenzhen xinfenglei Electronics Co., Ltd

| 单位 UNITS | MM |
|-----------------------|-------------------------------------|
| 比例 SCALE | 1:1 |
| 日期 DATE | 2009/10/20 |
| 制图 DRAWING | 王冠 Wangguan |
| 审核 CHECK | 雷永健 Leiyongjian |
| 核准 APPROV | 雷永健 Leiyongjian |
| 产品料号 PRODUCT PART NO. | 11005-UCAR002-A |
| 产品名称 PRODUCT NO. | Type C 24p母座板上双排脚 L=11.1 QI=3, 4 引脚 |
| 联系方式 CONTACT | mailto:sale1@xfll.com, www.xfll.com |

| | | |
|------------|----------------------|------------|
| 目錄 MAPX | 變更內容 MODIFICATION | 日期 DATE |
| A0 | NEW | 09-10-20 |



| PIN | SIGNAL NAME | PIN | SIGNAL NAME |
|-----|-------------|-----|-------------|
| A1 | GND | B12 | GND |
| A2 | SSTRP1 | B11 | SSRP1 |
| A3 | SSTXN1 | B10 | SSRXN1 |
| A4 | VBUS | B9 | VBUS |
| A5 | CC1 | B8 | SRU2 |
| A6 | DP1 | B7 | DN2 |
| A7 | DN1 | B6 | DP2 |
| A8 | SBU1 | B5 | CC2 |
| A9 | VBUS | B4 | VBUS |
| A10 | SSRXN2 | B3 | SSTRN2 |
| A11 | SSRP2 | B2 | SSTRP2 |
| A12 | GND | B1 | GND |

- Specifications:
- Electrical performance: 1.0
 - Contact resistance: 40mΩ max for initial, 10mΩ change after test, measure at 20mV, 100mA.
 - Dielectric withstanding voltage: AC 100V(rms).
 - Insulation resistance: 100MΩ min.
 - Contact current rating: 5A for Vbus pin; 1.25A for Vconn and GND pin; 0.25A for all the other pin.
 - Voltage: 5 Vac (rms).
 - Mechanical performance: 2.0
 - Mating force: 5~20N
 - Unmating force: 8~20N Initial test, 6~20N After test
 - Durability: 10,000 cycles.
 - Environmental performance: 3.0
 - Temperature range: 3.1
 - Operating temperature: -25 to +85.
 - Storage temperature: -20 to +60.
 - Material: 4.0
 - Housing: LCP Black, UL94-V0.
 - Contact: C7025, T=0.12mm
 - Mid-plate: SUS301, T=0.15mm
 - Shell-in: SUS304 T=0.30mm
 - Shell-out: SUS301 T=0.20mm
 - Plating specification: 5.0
 - Contact: Au(see table) plated on contact area
 - Matte Tin plated 100u"min on solder area; Nickel 50u"min underplating over all.
 - Shell-out: Nickel 30u"min plating over all.

RECOMMENDED PCB LAYOUT(TOP) SCALE 2:1
THICKNESS=1.2mm

产品图

深圳市鑫风雷电子有限公司
Shenzhen xinfenglei Electronics Co., Ltd

| 公差一览表 | | 单位 | 比例 | 日期 | 制图 | 审核 | 核准 | 产品料号 | 11005-UCAR002-A |
|----------------------------|-------|-------|-------|------------|---------|------|------|-----------------|--|
| TOLERANCE UNLESS OTHERWISE | | UNITS | SCALE | DATE | DRAWING | CHKD | APPD | PRODUCT PART NO | |
| X | ±0.30 | X' | ±5' | | 王冠 | 雷永健 | 雷永健 | 产品名称 | Type C 2ap母座板上双排SR L=11.1 QH=3.4 四脚 |
| XX | ±0.20 | XX' | ±2' | | 雷永健 | 雷永健 | 雷永健 | 产品编号 | |
| XXX | ±0.15 | XXX' | ±0.5' | 2009/10/20 | 王冠 | 雷永健 | 雷永健 | 联系方式 | mailbox: sale@xf.com, www: xf.com, com |