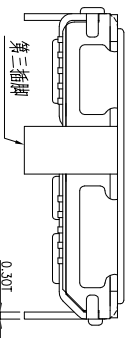
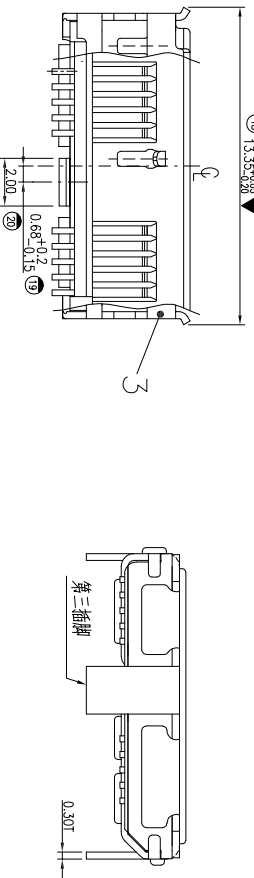
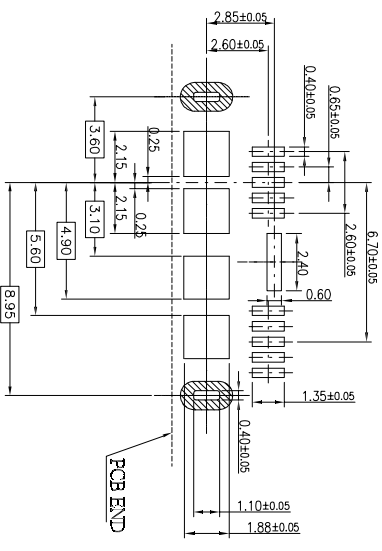
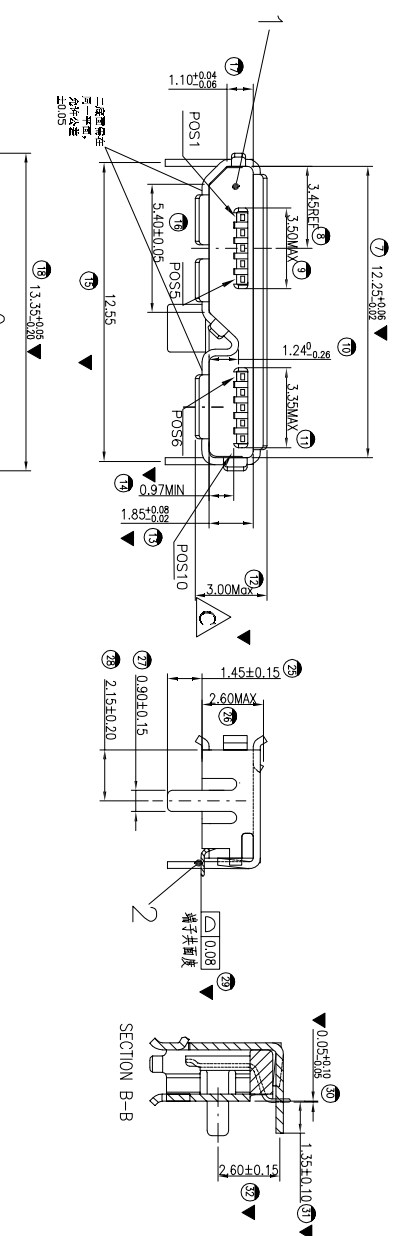
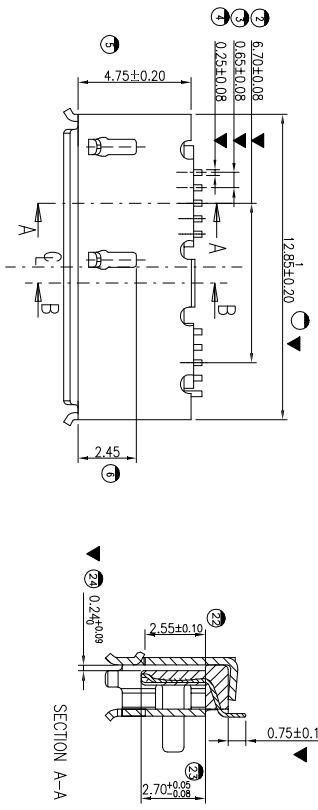


ROHS 客户图

MAPX	MODIFICATION	DATE
A0	NEW	09-10-20

- NOTE:
- MATERIAL:
 - INSULATOR: ICP UL 94V-0
 - CONTACT: Pho. Bronze (T=0.15mm)
 - SHELL: SUS-304 (T=0.30mm)
 - ELECTRICAL CHARACTERISTICS:
 - CONTACT RATING: 30 VAC
 - CONTACT CURRENT RATING: 1.5A
 - DIELECTRIC WITHSTANDING VOLTAGE: 100 V R.M.S.
 - INSULATION RESISTANCE: 100MΩ MIN INITIAL
 - OPERATING TEMPERATURE: -0°C ~ 50°C
 - MECHANICAL CHARACTERISTICS:
 - MATING FORCE: 3.57kg MAX
 - UNMATED FORCE: 1.02kg MIN



Pin NUMBER	SIGNAL NAME
1	VBUS
2	D-
3	D+
4	ID
5	GND
6	MicA_SSTX-
7	MicA_SSTX+
8	GND_DRAIN
9	MicA_SSRX-
10	MicA_SSRX+
	Shell

产品图

PRODUCT CHART DWG

公差一览表
TOLERANCE UNLESS OTHERWISE SPECIFIED

公差	单位	比例	日期	制图	审核	核准	产品料号	产品名称	角法	版本
XXX	MM	SCALE	DATE	DRAWING	CHKD	APPD	PRODUCT PART NO.	PRODUCT NAME	ANGLE VIEW	VER
±0.30	MM	1:1	2009/10/20	王冠	雷永健	雷永健	17004-U3MFR003-X	USB 3.0 Micro Standard B Type 脚距 11.3mm 三个插脚		A0
±0.25										
±0.30										
±0.15										

NO.	DESCRIPTION	MATERIAL	COLOR	REMARK
1	Housing	High Temp	Black	UL 94V-0
2	Terminal	Pho. Bronze C5191R-H		Gold/Tin Plated
3	Shell	SUS-304		Ni Plated

环境要求 产品必须符合以上要求