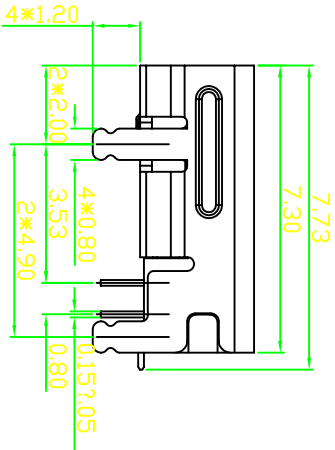
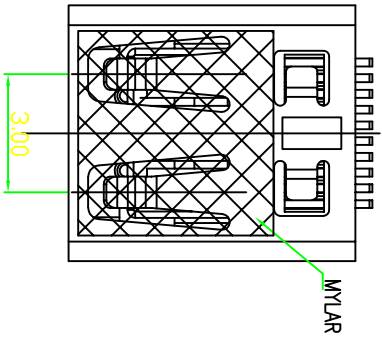
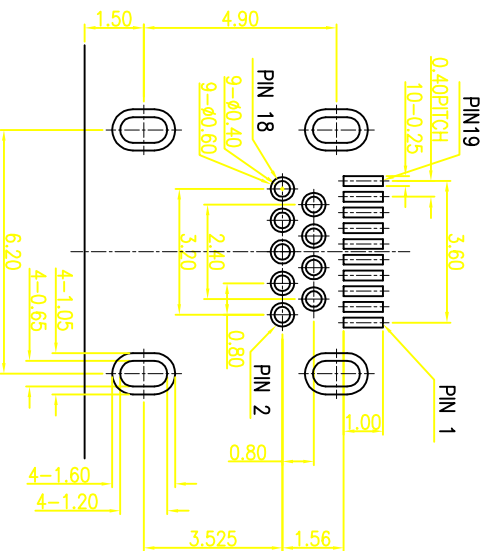
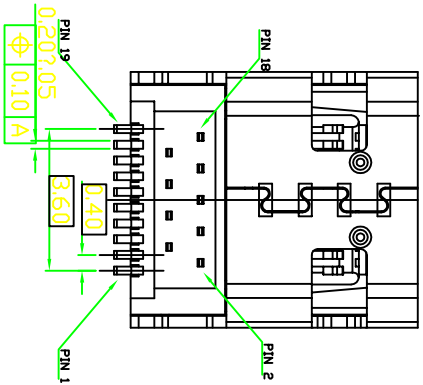
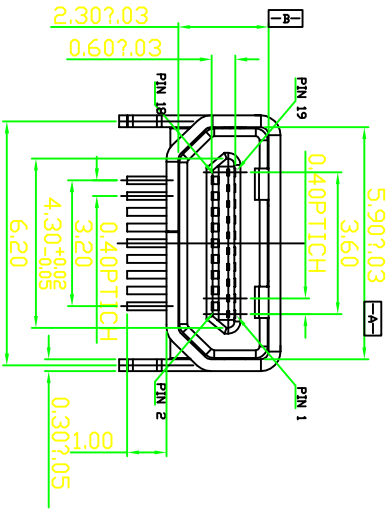


RoHS 客户图



- NOTES:
- MATERIAL:
 - SHELL: SUS304-1/2H T=0.3mm
 - HOUSING: LCP E130I+30%GF WHITE UL94V-0
 - COVER:LCP E130I+30%GF WHITE UL94V-0
 - TERMINAL: C5191R-H T=0.15mm
 - PLATING:
 - TERMINAL: GOLD PLATED OVER NICKEL ON CONTACT AREA AND SEE P/N TABLE ON SOLDER TAILS
 - SHELL: NICKEL PLATED
- TERMINAL PLATING CODE:
- A: CONTACT AREA: GOLD FLASH
 - B: SOLDER AREA: MATTE TIN 100u"
 - C: CONTACT AREA: 5u" GOLD
 - D: SOLDER AREA: MATTE TIN 100u"
 - E: CONTACT AREA: MATTE TIN 100u"
 - F: SOLDER AREA: GOLD FLASH
 - G: CONTACT AREA: GOLD FLASH
 - H: SOLDER AREA: 5u" GOLD
 - I: SOLDER AREA: GOLD FLASH



RECOMMENDED PCB LAYOUT THICKNESS = 0.8 mm
TOLERANCE = ±0.05 (TOP VIEW)

产品图

PRODUCT CHART DWG

公差一览表

TOLERANCE UNITS	UNLESS OTHERWISE SPECIFIED
X	±0.30
X	±0.25
XX	±0.30
XXX	±0.15

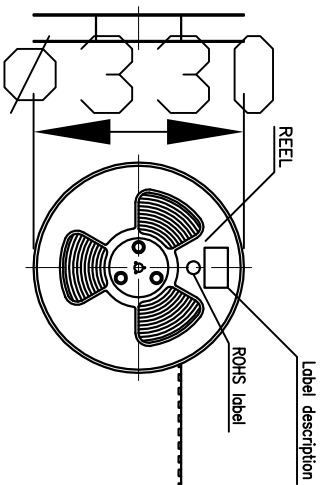
深圳市鑫风雷电子有限公司
Shenzhen xinfenglei Electronic Co., Ltd

单位 UNITS	MM	制图 DRAWING	王冠	产品料号 PRODUCT PART NO.	11015-HDDF003-X
比例 SCALE	1:1	审核 CHECK	雷永健	产品名称 PRODUCT NO.	HDMI D TYPE母座板上前插后插 L=7.3
日期 DATE	2009/10/20	核准 APPRO	雷永健	联系方式 MAILBOX	sale1@flicomm.com
				网址 WWW	xflcomm.com

ROHS

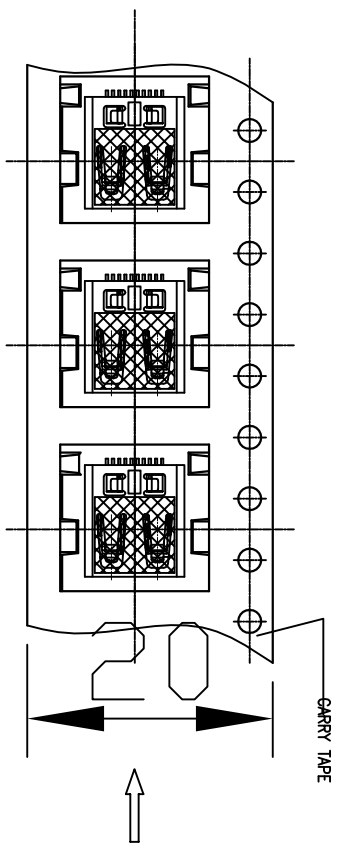
客户图

目錄 MAPX	变更内容 MODIFICATION	日期 DATE
A0	NEW	09-10-20

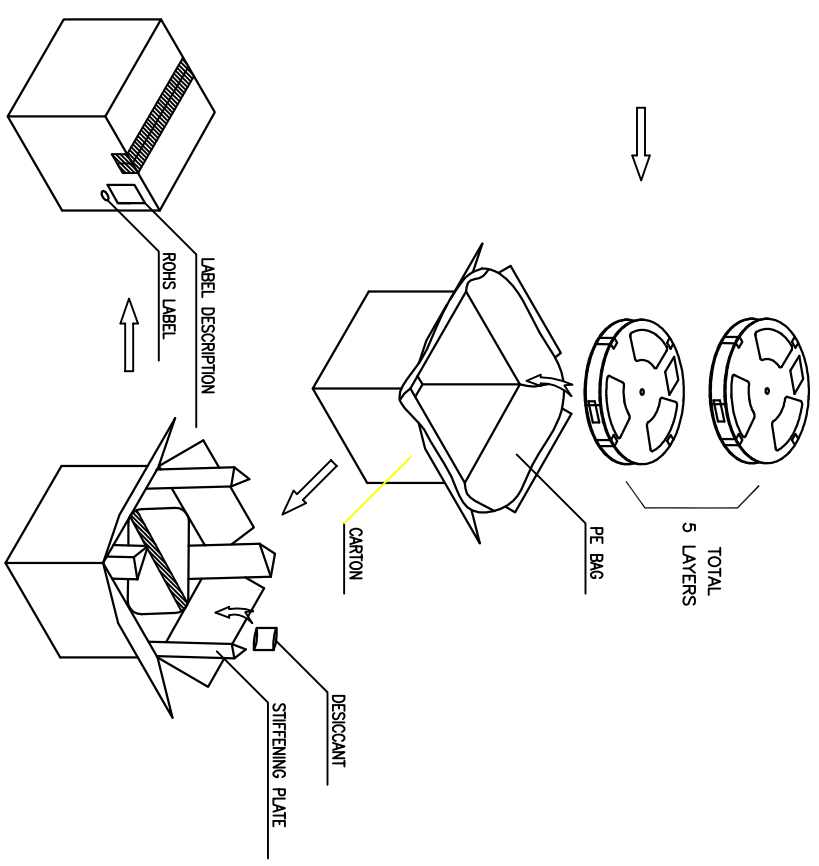


GATHER MATERIAL DIRECTION

INPUT MATERIAL DIRECTION



HDMI



- Notes:
1. The start and end of each reel, based on the actual quantity, reserved 10--15pcs space;
 2. Peel off force of top tape: 10g~130g, peel deg.:165°~175°; peel speed: 250~300mm/min;
 3. Carton size: 350*350*155mm;
 4. QTY: 1000pcs/reel, 5reel/carton, total 15000pcs/carton;

产品图

Product Name: 深圳市鑫风雷电子有限公司
Shenzhen xinfenglei Electronic Co., Ltd

公差一览表 TOLERANCE UNLESS OTHERWISE		单位 UNITS	比例 SCALE	日期 DATE	制图 DRAWING	审核 CHECK	产品料号 PRODUCT PART NO.
X	±0.30	X'	±5'		王冠	雷永健	11015-HDDF003-X
X	±0.25	X'	±2'		雷永健	雷永健	
.XX	±0.30	.XX'	±1'				
.XXX	±0.15	.XXX'	±0.5'				
				2009/10/20	雷永健	雷永健	
					联系方式		
					maibox: sale1@flicomn.com		
					www.xflicomn.com		