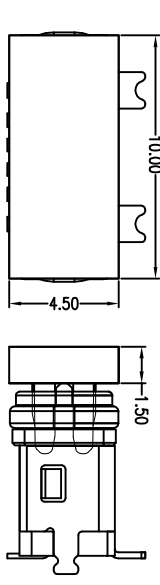
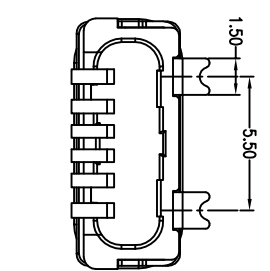
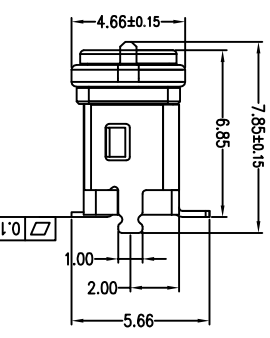
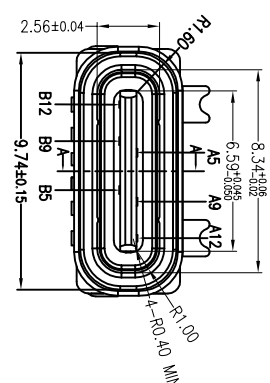
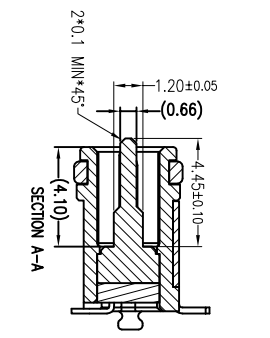
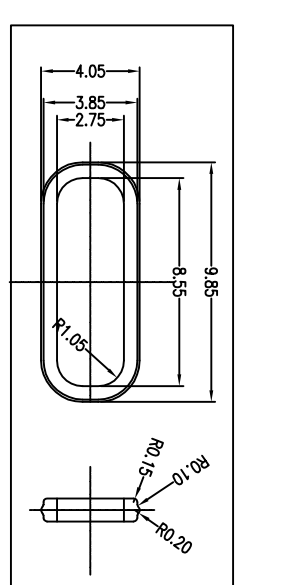
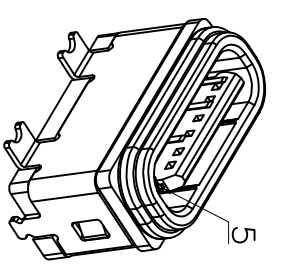
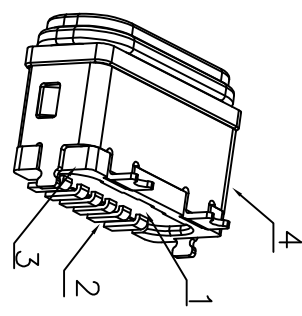
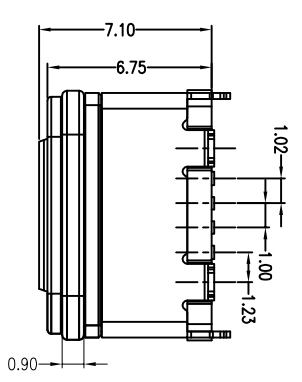


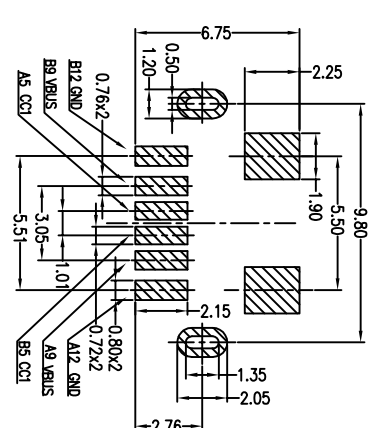
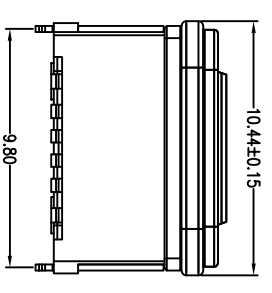
ROHS

客户图

目錄 MAPX A0	變更內容 MODIFICATION NEW	日期 DATE 09-10-20
------------------	-----------------------------	------------------------



Cap dimensions



PCB LAYOUT 图仅供参考

- Note:
1. Material:
 - 1.1 Housing: high temperature thermoplastic UL94V-0
 - 1.2 Contact: Copper Alloy
 - 1.3 Inner housing: high temperature thermoplastic UL94V-0
 - 1.4 Outshell: SUS
 - 1.5 Middle plate: SUS
 2. ELECTRICAL:
 - 2-1: CURRENT RATING:
 - VBUS AND GND CONTACTS RATED AT 3A Max
 - VBUS AND GND CONTACTS RATED AT 0.5A Min
 - 0.9Amps Max. for all other contact.
 - 2-2: INITIAL CONTACT RESISTANCE: .40 MEGOHMS
 - 2-3: DIELECTRIC WITHSTANDING VOLTAGE: 100V AC MIN;
 3. MECHANICAL CHARACTERISTICS:
 - 3-1: MATING FORCE: 5~20N
 - 3-2: UNMATING FORCE: 8~20N (INITIAL), 5~20N (AFTER 10000 CYCLES)
 - 3-3: FREQUENCY: 200±50 CYCLES/HOUR, 10000 CYCLES
 - 3-4: OPERATING TEMPERATURE: -40~80°.
 - 4: WATERPROOF: IP-X7.

产品图
PRODUCT CHART DWG

公差一览表
TOLERANCE UNLESS OTHERWISE

深圳市鑫风雷电子有限公司

AS	CCI	B12	GND	AS	CCI	B12	GND	AS	CCI	B12	GND	AS	CCI	B12	GND	AS	CCI	B12	GND	
X	X	X	X	X	X	X	X	X	X	X	X	X	X	X	X	X	X	X	X	X
XX	XX	XX	XX	XX	XX	XX	XX	XX	XX	XX	XX	XX	XX	XX	XX	XX	XX	XX	XX	XX
XXX	XXX	XXX	XXX	XXX	XXX	XXX	XXX	XXX	XXX	XXX	XXX	XXX	XXX	XXX	XXX	XXX	XXX	XXX	XXX	XXX