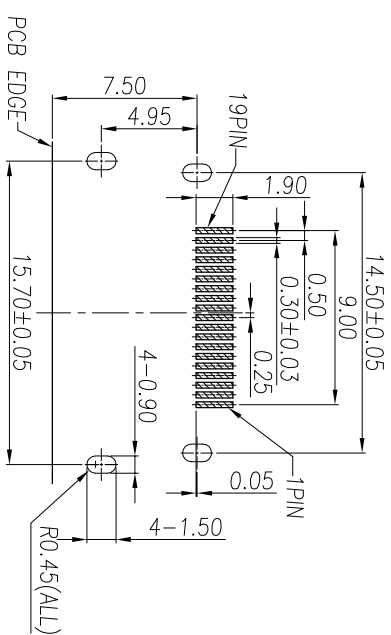
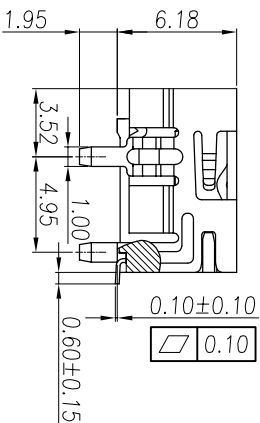
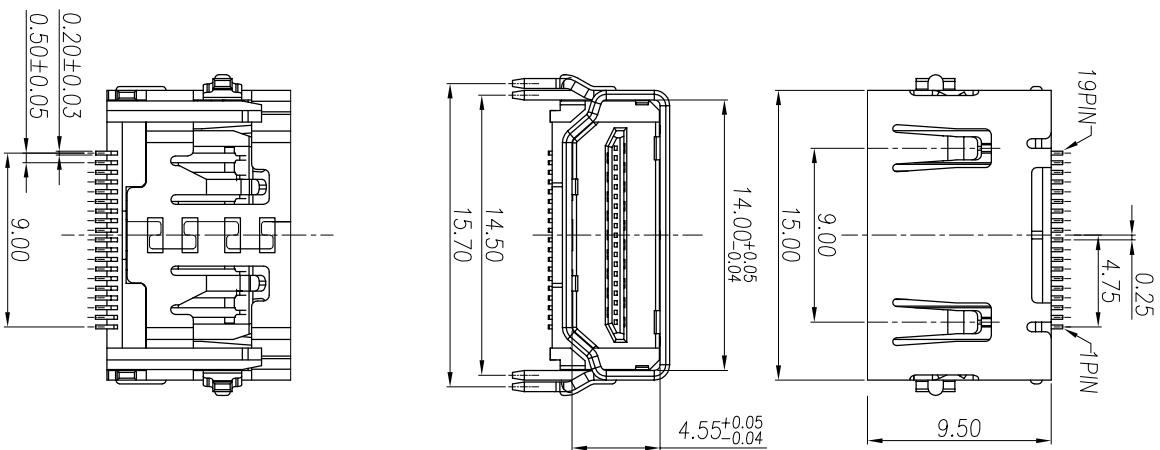


RoHS 客户图



RECOMMENDED PCB LAYOUT (T:1.60mm)
TOLERANCE UNSPECIFIED ±0.10mm

NOTES:

- 1.) MATERIAL:
 - 1-1. HOUSING: LCP, UL 94V-0, COLOR: BLACK;
 - 1-2. CONTACT: C2680R-EH T=0.20;
 - 1-3. SHELL: SPCC T=0.50;
- 2-1. CONTACT: Au PLATING ON CONTACT AREA, (SEE P/N DESCRIBING) MATTE PURE Au 1u" Min. PLATING ON SOLDER TAILS, 50u" MIN. Ni UNDERPLATING OVERALL;
- 2-2. SHELL: PLATING Ni;
- 3.) SPECIFICATIONS:
 - 3-1. VOLTAGE RATING: 40V
 - 3-2. CURRENT RATING: 0.5A
 - 3-3. INSULATION RESISTANCE: 100MΩ MIN
 - 3-4. CONTACT RESISTANCE: 30mΩ MAX
 - 3-5. OPERATION TEMPERATURE: -20° TO +85°
 - 3-6. INSERT FORCE: 4.0kgf MAX
 - 3-7. EXTRACT FORCE: 1.0kgf~4.0kgf
 - 3-8. DURABILITY: 10000 CYCLES

产品图

PRODUCT CHART DWG

公差一览表

TOLERANCE UNLESS OTHERWISE	X	XX	XXX
±0.30	X	XX	XXX
±0.25	X	XX	XXX
±0.20	X	XX	XXX
±0.15	X	XX	XXX

深圳市鑫风雷电子有限公司

Shenzhen xinfenglei Electronics Co., Ltd

单位	MM	制图	王冠	产品料号	26022-HDAF002-X
UNITS <td>MM <td>DRAWING <td>Wangguan <td>PRODUCT PART NO. <td></td> </td></td></td></td>	MM <td>DRAWING <td>Wangguan <td>PRODUCT PART NO. <td></td> </td></td></td>	DRAWING <td>Wangguan <td>PRODUCT PART NO. <td></td> </td></td>	Wangguan <td>PRODUCT PART NO. <td></td> </td>	PRODUCT PART NO. <td></td>	
比例 <td>1:1 <td>审核 <td>雷永健 <td>产品名称 <td>HDMI A TYPE 19P母座板 L5M插体 L=9.5</td> </td></td></td></td>	1:1 <td>审核 <td>雷永健 <td>产品名称 <td>HDMI A TYPE 19P母座板 L5M插体 L=9.5</td> </td></td></td>	审核 <td>雷永健 <td>产品名称 <td>HDMI A TYPE 19P母座板 L5M插体 L=9.5</td> </td></td>	雷永健 <td>产品名称 <td>HDMI A TYPE 19P母座板 L5M插体 L=9.5</td> </td>	产品名称 <td>HDMI A TYPE 19P母座板 L5M插体 L=9.5</td>	HDMI A TYPE 19P母座板 L5M插体 L=9.5
SCALE <td></td> <td>CHD <td>Lei Yongjian <td>PRODUCT NO. <td></td> </td></td></td>		CHD <td>Lei Yongjian <td>PRODUCT NO. <td></td> </td></td>	Lei Yongjian <td>PRODUCT NO. <td></td> </td>	PRODUCT NO. <td></td>	
日期 <td>2009/10/20 <td>核准 <td>雷永健 <td>联系方式 <td>mailbox: sale1@xfll.com, www_xfll.com, com</td> </td></td></td></td>	2009/10/20 <td>核准 <td>雷永健 <td>联系方式 <td>mailbox: sale1@xfll.com, www_xfll.com, com</td> </td></td></td>	核准 <td>雷永健 <td>联系方式 <td>mailbox: sale1@xfll.com, www_xfll.com, com</td> </td></td>	雷永健 <td>联系方式 <td>mailbox: sale1@xfll.com, www_xfll.com, com</td> </td>	联系方式 <td>mailbox: sale1@xfll.com, www_xfll.com, com</td>	mailbox: sale1@xfll.com, www_xfll.com, com
DATE <td></td> <td>Appd <td>Lei Yongjian <td>联系地址 <td></td> </td></td></td>		Appd <td>Lei Yongjian <td>联系地址 <td></td> </td></td>	Lei Yongjian <td>联系地址 <td></td> </td>	联系地址 <td></td>	