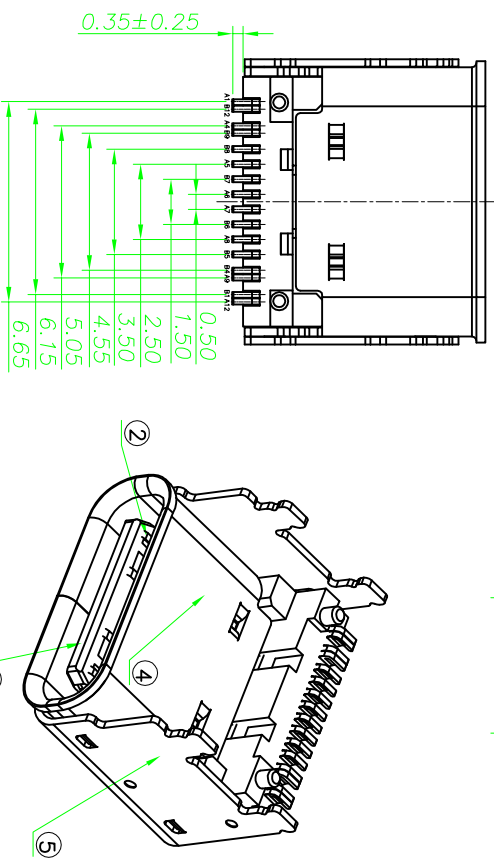
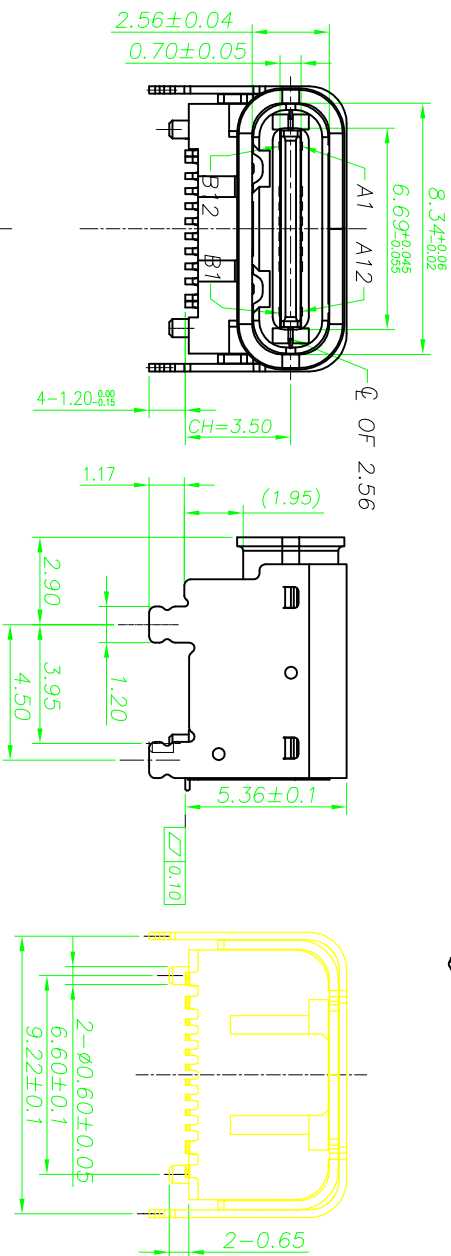
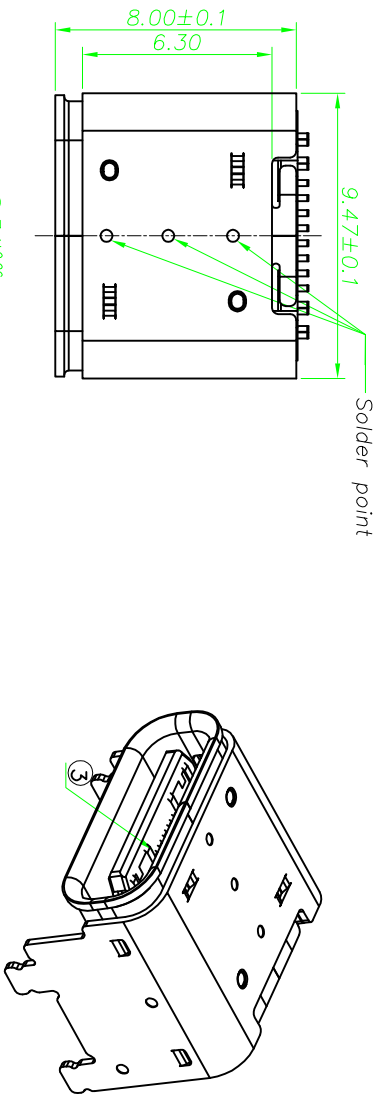


ROHS 客户图



NOTE:

- 1. MATERIAL SPECIFICATION:**
 1. HOUSING: HIGH TEMPERATURE RESISTANT PLASTIC, UL94 V-0.
 2. CONTACTS: COPPER ALLOY
 3. MID PLATE: STAINLESS STEEL
 4. INSIDE SHELL: STAINLESS STEEL
 5. OUTSIDE SHELL: STAINLESS STEEL
- 2. PLATING SPECIFICATION:**
 2-1. CONTACTS:
 Ni 50u" MIN. UNDER PLATED OVER ALL.
 Au PLATED ON THE FUNCTIONAL AREA OF CONTACT.
 (GOLD PLATING THICKNESS FOLLOW THE P/N)
 GOLD FLASH PLATING ON SOLDER AREA
 2-2. INSIDE SHELL OR OUTSIDE SHELL:
 Ni 30u" MIN. UNDER PLATED OVER ALL.
- 3. MECHANICAL PERFORMANCE:**
 3-1. INSERTION FORCE: 0.5~2.0kgf.
 3-2. REMOVAL FORCE: 0.8kgf~2.0kgf.
 3-3. DURABILITY: 10000 CYCLES.
- 4. ELECTRICAL PERFORMANCE:**
 4-1. CURRENT RATING: 5A
 VOLTAGE RATING: 20V
 4-2. INSULATION RESISTANCE: 100MΩ MIN
 4-3. DIELECTRIC WITHSTAND VOLTAGE: AC 100V FOR 1 MINUTE.
 4-4. LOW CONTACT RESISTANCE: INITIAL 40MΩ
 AFTER 50MΩ
- 5. ENVIRONMENTAL PERFORMANCE:**
 OPERATING TEMPERATURE: -30°C~+80°C.
 6. I.R. REFLOW:
 THE PEAK TEMPERATURE ON THE BOARD SHALL
 BE MAINTAINED FOR 10 SECONDS AT 260°C.

5	OUTER SHELL	SUS304 T=0.25MM	NI 40U"MIN	1PCS
4	INNER SHELL	SUS304 T=0.30MM	NI 40U"MIN	1PCS
3	SHIELDING PLATE	SUS301 T=0.15MM	N/A	1PCS
2	CONTACT	C2680 T=0.15MM	Mating area: 1u" Au Solder Tails: C/F Underplate: 80u"Min Ni overall	2SET
1	INSERT MOLDING	LCP UL94V-0	BLACK	1PCS

产品图

深圳市鑫风雷电子有限公司
 Shenzhen xinfenglei Electronic Co., Ltd

公差一览表		单位		制图		产品料号	
TOLERANCE UNLESS OTHERWISE		UNITS		DRAWING		PRODUCT PART NO.	
X	±0.30	X	±5°	王冠	00206-UCAF010-A		
X	±0.25	X	±2°	雷永健			
XX	±0.30	XX	±1°	审核			
XXX	±0.15	XXX	±0.5°	核准			
		日期	2009/10/20	雷永健		角法	版本
		DATE		APPROV		VIEW	VER

RoHS

客户图

目錄
MAPX

變更內容
MODIFICATION

日期
DATE

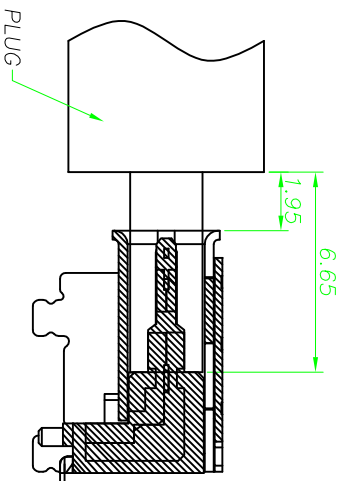
A0

NEW

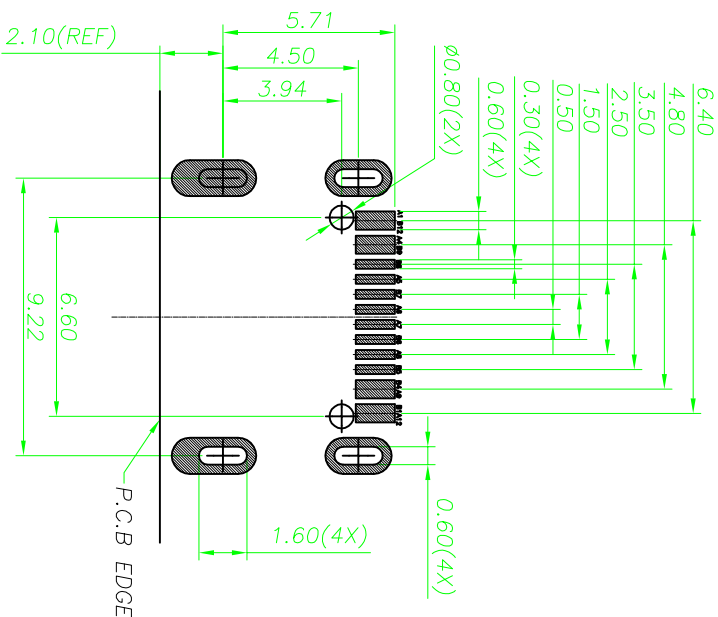
09-10-20

USB TYPE-C PIN ASSIGNMENTS

PIN NUMBER	SIGNAL NAME	PIN NUMBER	SIGNAL NAME
A1	GND	B12	GND
A4	VBUS	B9	VBUS
A5	CC1	B8	SBU2
A6	Dp1	B7	Dn2
A7	Dn1	B6	Dp2
A8	SBU1	B5	CC2
A9	VBUS	B4	VBUS
A12	GND	B1	GND



AFTER MATING
SCALE 1:1



RECOMMEND P.C.B LAYOUT(COMPONENT SIDE)
TOLERANCE FOR PCB LAYOUT IS ± 0.05

产品图

PRODUCT CHART DWG

公差一览表

TOLERANCE UNLESS OTHERWISE

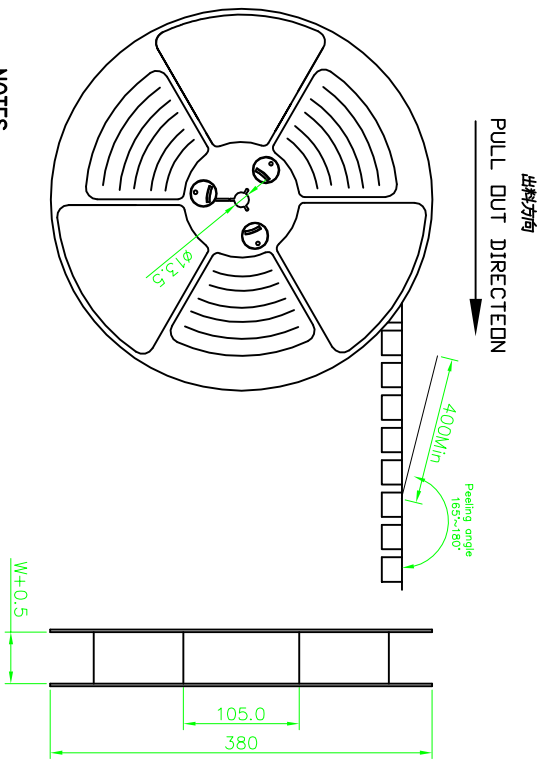
TOLERANCE	UNITS	SCALE
X	±0.30	±5°
X	±0.25	±2°
.XX	±0.30	±1°
.XXX	±0.15	±0.5°

深圳市鑫风雷电子有限公司
Shenzhen xinfenglei Electronic Co., Ltd

单位 UNITS	MM	制图 DRAWING	王冠	产品料号 PRODUCT PART NO.	00206-UCAF010-A
比例 SCALE	1:1	审核 CHKD	雷永健	产品名称 PRODUCT NO.	TYPE C 16P母座加高1.9 L=8.0
日期 DATE	2009/10/20	核准 APPD	雷永健	角法 VIEW	版本 VER
					A0

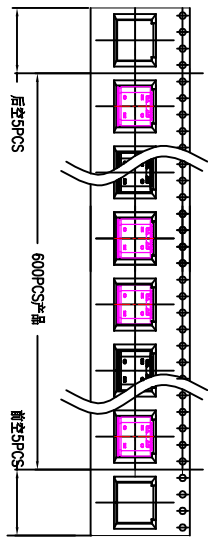
RoHS 客户图

目錄 MAPX A0	變更內容 MODIFICATION NEW	日期 DATE 09-10-20
------------------	-----------------------------	------------------------

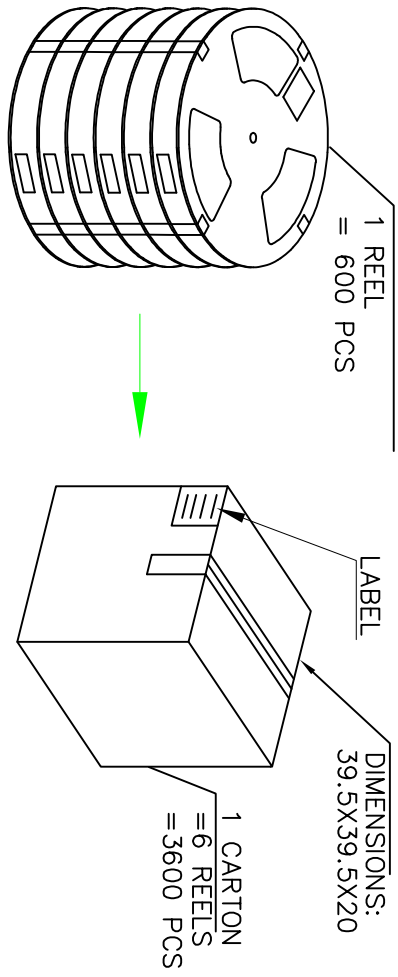
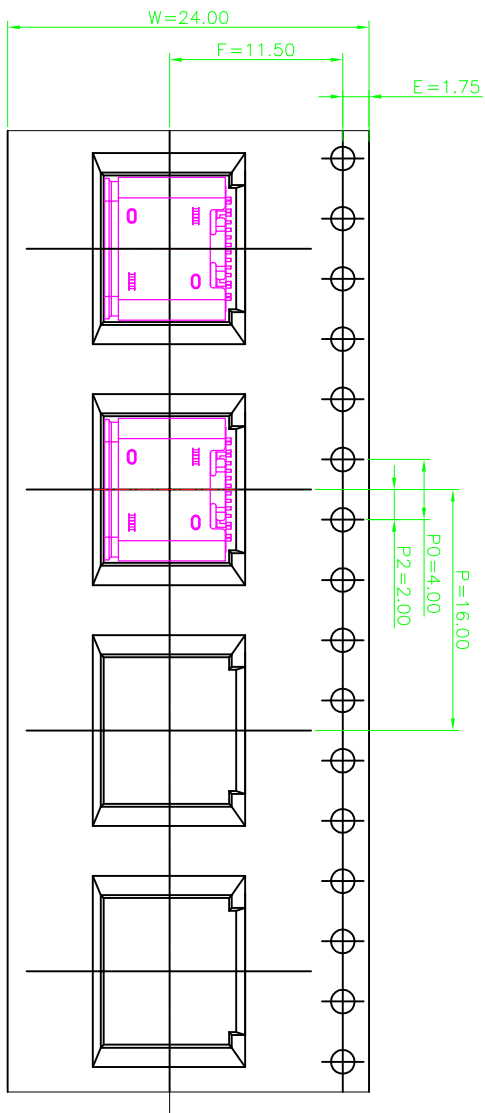


NOTES

1. 帶子引導長度
LEAD TAPE LENGTH
出料方向
PULL OUT DIRECTION



2. 上帶 剝離力為: 0.1~1.3N(10.2gf~130gf)
PEELING OFF FORCE OF TOP TAPE: 0.1~1.3N(10.2gf~130gf)
出貨運輸過程中一定注意:
卷帶在運輸過程中不能散開
PEELING OFF SHOULD NOT BE ALLOWED DURING TRANSPORTATION



包裝規格表 Carton (The detail of the packing)

包裝數量 (Packing Capacity)	重量 Weight (Kg)
pcs/box boxes/Carton	數量 Weight (Kg)
600 6	N.W./Pcs 3600
	N.W./Box ---
	G.W./Box ---

產品圖

PRODUCT CHART DWG

公差一覽表

TOLERANCE UNLESS OTHERWISE	單位 UNITS	比例 SCALE	日期 DATE
X	±0.30	X'	±5'
X	±0.25	X'	±2'
XX	±0.30	XX'	±1'
XXX	±0.15	XXX'	±0.5'

深圳市鑫風雷電子有限公司
Shenzhen xinfenglei Electronic Co., Ltd

制圖 DRAWING	王冠	產品料號 PRODUCT PART NO.	00206-UCAF010-A
審核 CHKD	雷永健	產品名稱 PRODUCT NO.	TYPE C 16P母座加高1.9 L=8.0
核准 APRD	雷永健	角法 VIEW	
日期 DATE	2009/10/20	版本 VER	A0