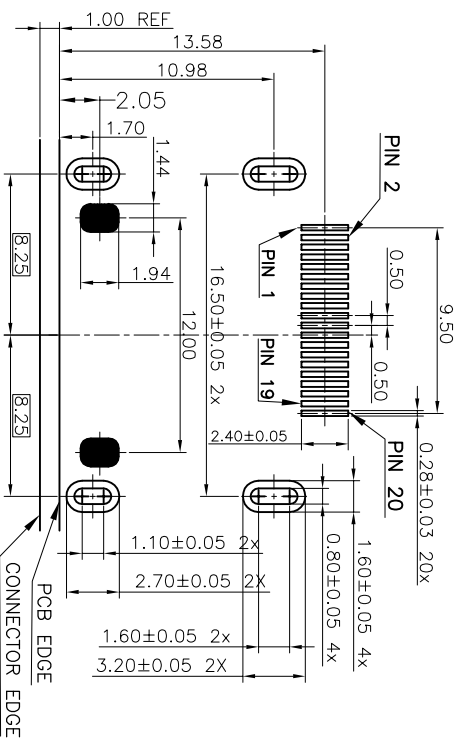
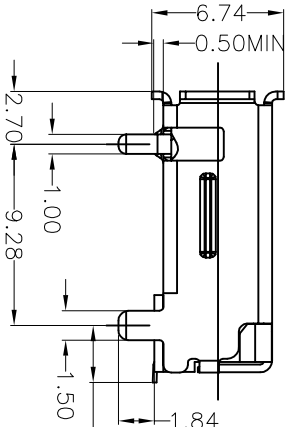
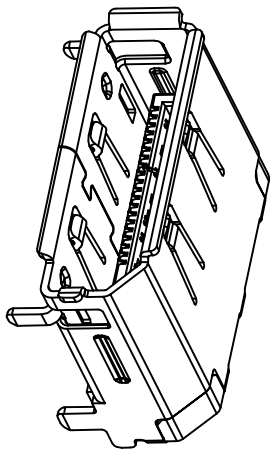
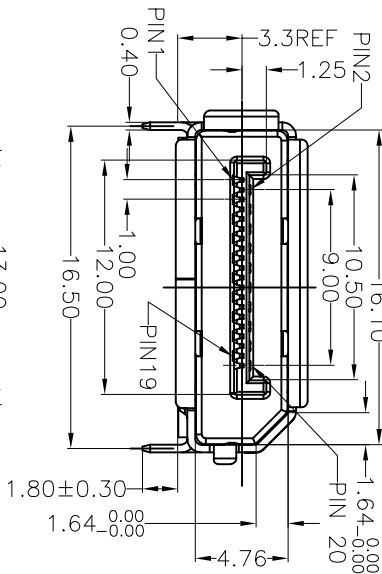
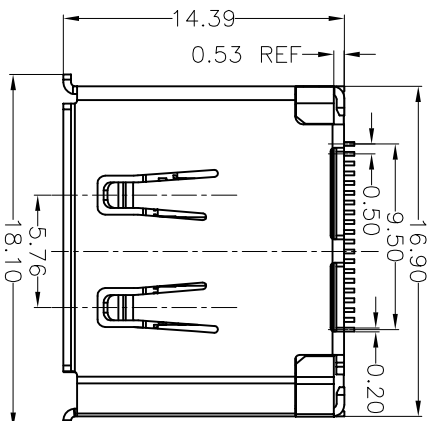


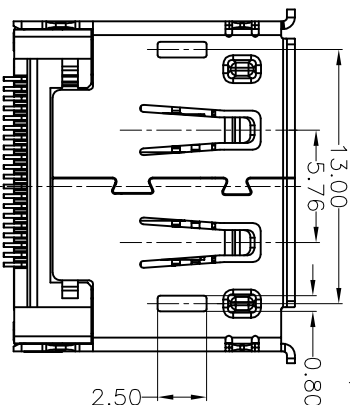
ROHS 客户图



RECOMMENDED P.C.B. LAYOUT (THICKNESS=1.60mm)
TOLERANCE UNSPECIFIED ±0.05mm

- NOTE:
- MECHANICAL:
 - INSERTION FORCE: 4.5kgf MAX
 - WITHDRAW FORCE: 1kgf-4kgf
 - ELECTRICAL:
 - CONTACT CURRENT RATING: 0.5A MAX
 - VOLTAGE RATING: 40V AC (RMS)
 - DIELECTRIC WITHSTANDING VOLTAGE: 500 V AC FOR 1 MINUTE
 - INSULATION RESISTANCE: 100 MEGOHMS MIN
 - ENVIRONMENTAL:
 - OPERATING TEMPERATURE: -25~+85°C
 - SALT SPRAY: 48H

PART NO.:	11015-DPAF002-X	HOUSING BLACK LCP CONTACT & SHELL BRASS TAPE REEL PACKING
20	G2680 F0.20mm	CONTACT AREA: GOLD FLASH; SOLDER TAIL: MATTED TIN
1	LCP E130 UL94V-0	COLOR: BLACK
1	G2680 T: 0.4mm	PLATED: NICKEL OVER ALL
QTY'S	SPECIFICATION	FINISHING
		HOUSING ②
		SHELL ①
		PART ITEM



产品图

PRODUCT CHART DWG

公差一览表

TOLERANCE UNLESS OTHERWISE	UNIT	MM
X	±0.30	±5°
X	±0.25	±2°
XX	±0.30	XX°
XXX	±0.15	XXX°

深圳市鑫风雷电子有限公司
Shenzhen xinfenglei Electronic Co., Ltd

单位	MM	制图	王冠	产品料号	11015-DPAF002-X
比例	1:1	审核	雷永健	产品名称	DP 20P母座上型SMT 反向
日期	2009/10/20	核准	雷永健	联系方式	mailbox: sale1@xfll.com.com
			Leiyongjian	www.xfll.com.com	