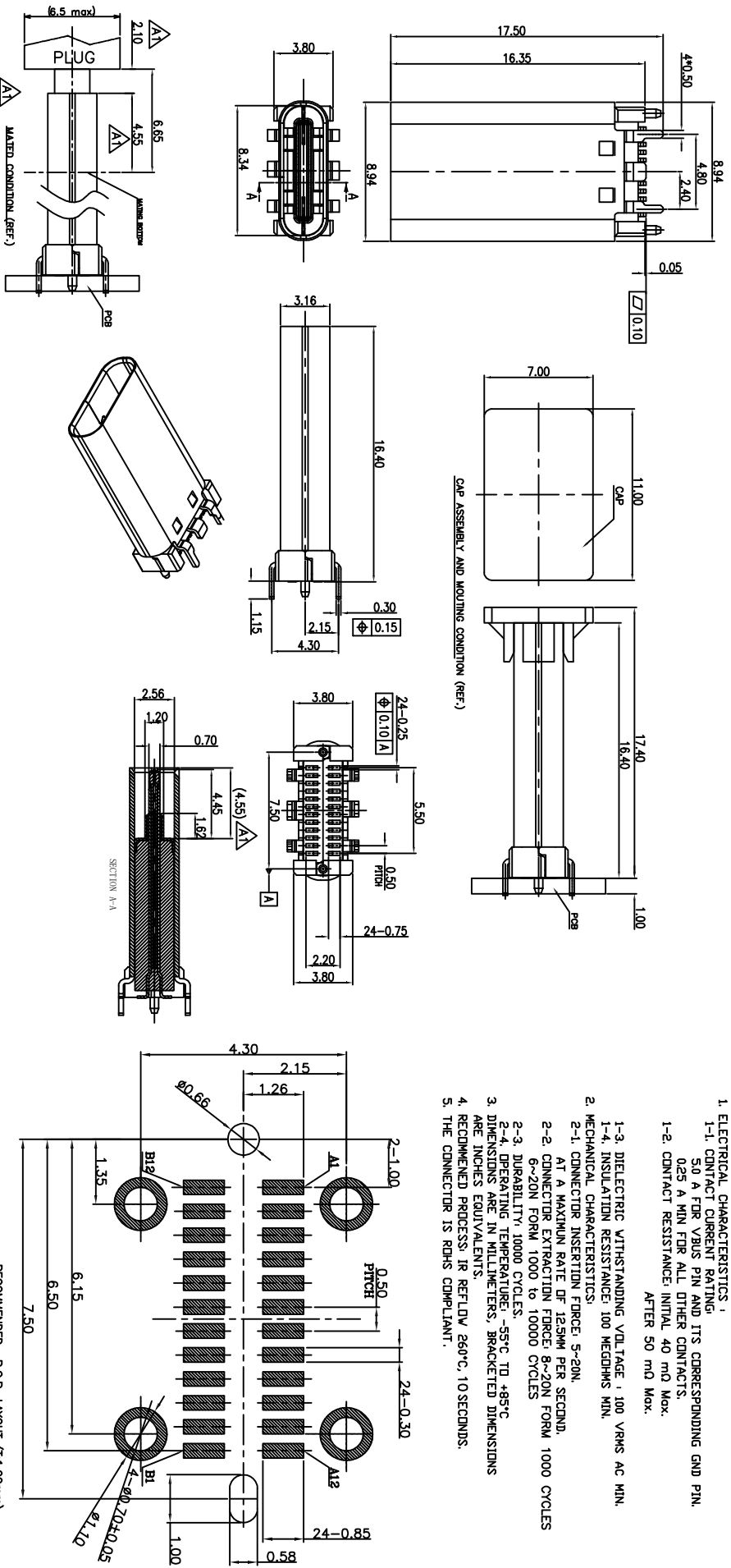


目錄 MAPX A0	變更內容 MODIFICATION NEW	日期 DATE 09-10-20
------------------	-----------------------------	------------------------

- NOTES:
- ELECTRICAL CHARACTERISTICS:
 - CONTACT CURRENT RATING: 5.0 A FOR VBUS PIN AND ITS CORRESPONDING GND PIN. 0.25 A MIN FOR ALL OTHER CONTACTS.
 - CONTACT RESISTANCE: INITIAL 40 mΩ Max. AFTER 50 mΩ Max.
 - DIELECTRIC WITHSTANDING VOLTAGE: 100 VRMS AC MIN.
 - INSULATION RESISTANCE: 100 MEGOHMS MIN.
 - MECHANICAL CHARACTERISTICS:
 - CONNECTOR INSERTION FORCE: 5-20N, AT A MAXIMUM RATE OF 125MM PER SECOND.
 - CONNECTOR EXTRACTION FORCE: 8~20N FORM 1000 CYCLES 6~20N FORM 1000 TO 10000 CYCLES
 - DURABILITY: 10000 CYCLES.
 - OPERATING TEMPERATURE: -55°C TO +85°C DIMENSIONS ARE IN MILLIMETERS, BRACKETED DIMENSIONS ARE INCHES EQUIVALENTS.
 - RECOMMENDED PROCESS: IR REFLUX 260°C, 10 SECONDS.
 - THE CONNECTOR IS ROHS COMPLIANT.



PIN	SIGNAL NAME	PIN	SIGNAL N
A1	GND	B12	GND
A2	SSTXp1	B11	SSRXp1
A3	SSTXn1	B10	SSRXn1
A4	VBUS	B9	VBUS
A5	CC1	B8	SBU2
A6	Dp1	B7	Dn2
A7	Dn1	B6	Dp2
A8	SBU1	B5	CC2
A9	VBUS	B4	VBUS
A10	SSRXp2	B3	SSTXp2
A11	SSRXn2	B2	SSTXn2
A12	GND	B1	GND

ITEM	PART NAME	QTY	MATERIAL
①	TOP SHELL	1 PCS	STAINLESS
②	SHELL	1 PCS	STAINLESS
③	HOUSING	1 PCS	TERMOPLASTIC
④	SHIELDING PLATE	1 PCS	STAINLESS
⑤	BOTTOM CONTACT	1 SET	COPPER ALLOY
⑥	TOP CONTACT	1 SET	COPPER ALLOY

产品图

深圳市鑫风雷电子有限公司
Shenzhen xinfenglei Electronic Co., Ltd

单位	MM	制图	王冠	产品料号	18003-UCAP002-X
比例	1:1	审核	雷永健	产品名称	TYPE C 24P母座180度SMT H=16.4
日期	2009/10/20	核准	雷永健	角法	版本
				VIEW	A0