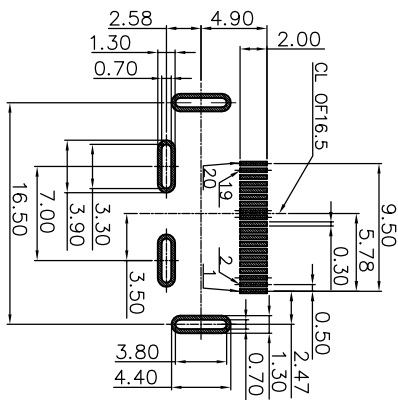
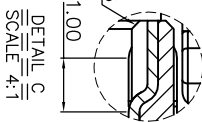
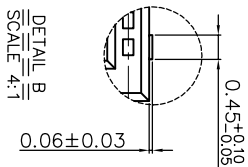
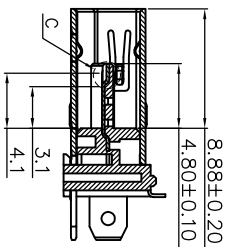
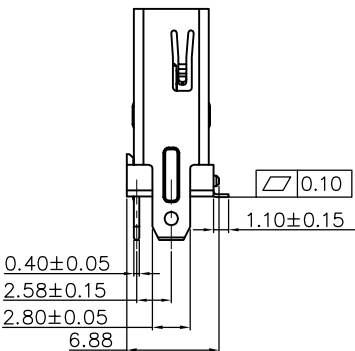
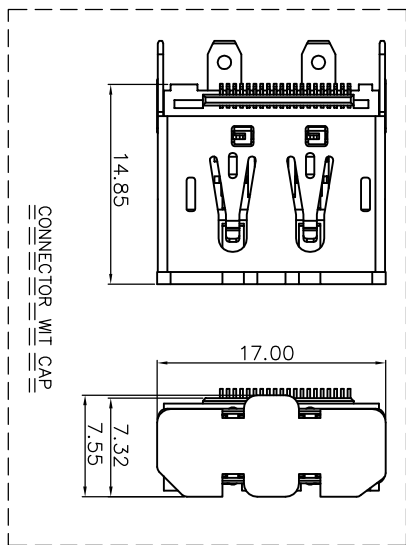
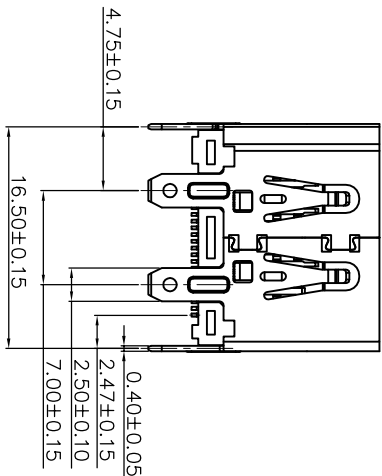
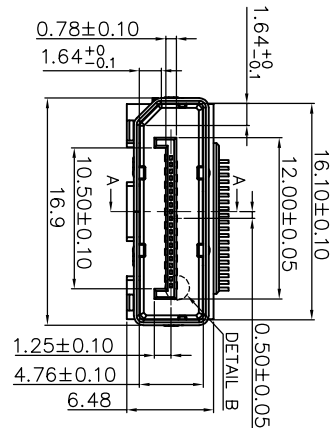
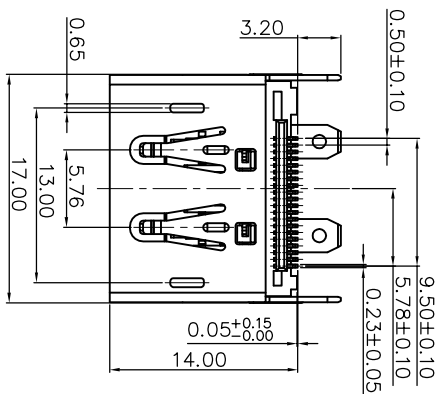


# ROHS

# 客户图



- MATERIALS**
- 1-HOUSING: L-C.P. (UL 94V-0), BLACK
  - 2-TERMINAL: BRASS (C2680), GOLD FLASH PLATING ON CONTACT AREA, MATTE TIN PLATING ON SOLDER TAIL, UNDER NICKEL PLATING OVER ALL.
  - 3-SHELL: S50C, NICKEL PLATING
- SPECIFICATION**
- 1-CURRENT RATING : 0.5 A MAX.
  - 2-ELECTRIC WITHSTANDING VOLTAGE : 500V AC R.M.S. FOR ONE MINUTE
  - 3-INSULATION RESISTANCE : 100M OHMS MIN.
  - 4-CONTACT RESISTANCE : 50m OHMS MAX.
  - 5-OPERATING TEMPERATURE : -20C TO +85C.
  - 6-INSERTION FORCE : 4.5Kgf MAX.
  - 7-EXTRACTION FORCE : 1.0~4.0Kgf MIN.
  - 8-SALT SPRAY : 24 HOURS PASS.
  - 9-REFLOW SOLDERING(SMD COMPONENT) OVEN TEMPERATURE: 260C. 5SEC
  - 10-TEMPERATURE: 260C. 5SEC

RECOMMENDED P.C.B LAYOUT(TOP VIEW)  
TOLERANCE: ±0.05

### 产品图

## 深圳市鑫风雷电子有限公司

公差一览表		单位		制图		产品料号	
TOLERANCE UNLESS OTHERWISE	UNITS	MM	DRAWING	王冠	PRODUCT PART NO.	19011-DPAF003-A	Displayport 母180度SMT96壳脚长3.2 H=14
X	±0.30	X'	±5'	审核	产品名称		
X	±0.25	X'	±2'	核准	产品编号		
XX	±0.20	XX'	±1'	日期	核法		
XXX	±0.15	XXX'	±0.5'	DATE	版本		
				2009/10/20	VER		

目錄	变更内容	日期
MAPX	MODIFICATION	DATE
A0	NEW	09-10-20