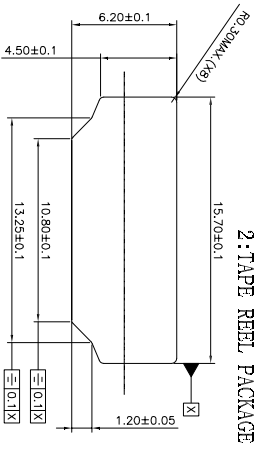
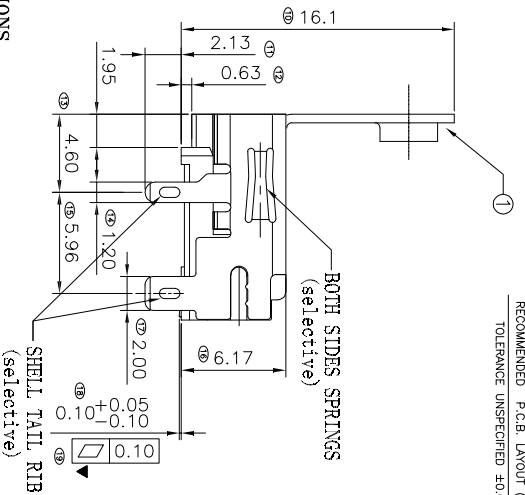
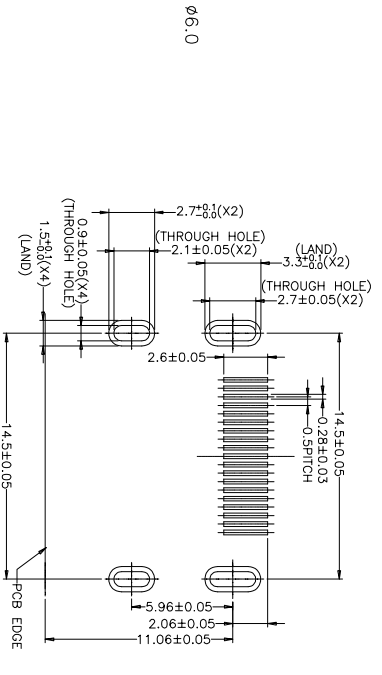
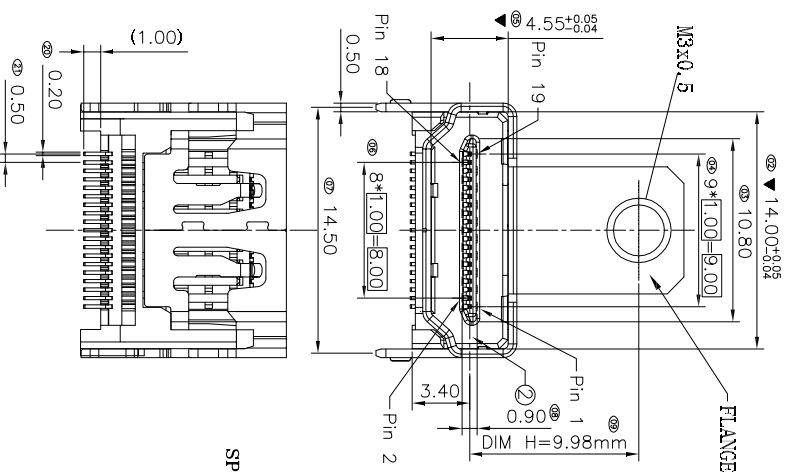
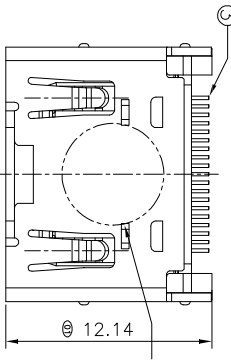


RoHS 客户图



- SPECIFICATIONS**
1. OPERATING CURRENT: 0.5A MAX.
 2. OPERATION TEMPERATURE: -25°C TO +85°C
 3. DIELECTRIC WITHSTANDING VOLTAGE: 500volts AC BETWEEN ADJACENT TERMINAL (UNMATE) 300volts AC BETWEEN ADJACENT TERMINAL (MATE)
 4. INSULATION RESISTANCE: 100Mohm MIN. (UNMATED); 10Mohm MIN. (MATED)
 5. HDMI SPECIFICATION COMPLIANCE

- 1: A型: HDMI SERIAL
- 2: MALE & FEMALE
- 0: FEMALE
- 1: MALE
- 3: SHELL MATERIAL BOTH SIDES SPRINGS
- 9: COPPER, WITHOUT BOTH SIDES SPRINGS
- 5: SPCC, WITH BOTH SIDES SPRINGS
- 4: SHELL: SELECTIVE SHELL TAIL RIB
- 12: WITH SHELL TAIL RIB
- 13: WITHOUT SHELL TAIL RIB

- 5: 电镀
- 1: GOLD FLASH 2: 3u" GOLD
- 3: 5u" GOLD 4: 10u" GOLD
- 5: 15u" GOLD 6: 30u" GOLD
- 6: 1: RoHS Compliant
- 7: 包装方式
- 1: TRAY PACKAGE
- 2: TAPE REEL PACKAGE

①	CONTACTS	19	COPPER ALLOY, GOLD PLATED OVER NICKEL ON CONTACT AREA AND 100u" MIN. TIN PLATED OVER NICKEL ON SOLDER TAILS
②	HOUSING	1	THERMOPLASTIC UL94V-0
③	SHELL	1	COPPER ALLOY OR SPCC/NICKEL PLATED
ITEM	NAME	Q'TY	NOTES

深圳市鑫风雷电子有限公司

公差一览表		单位		MM	
TOLERANCE UNLESS OTHERWISE		UNITS		MM	
X	± 0.30	X	$\pm 5'$	比例	
X	± 0.25	X	$\pm 2'$	SCALE	
XX	± 0.30	XX	$\pm 1'$	日期	
XXX	± 0.15	XXX	$\pm 0.5'$	DATE	
制图		王冠		产品料号	
DRAWING		DRAFTING		PRODUCT PART NO.	
审核		雷永健		产品名称	
CHECK		APPROV		HDMI A TYPE母座四脚SMT带螺丝孔H=6.1	
核准		雷永健		角法	
APPR		APPR		VIEW	
日期		2009/10/20		版本	
DATE		DATE		VER	
				A0	