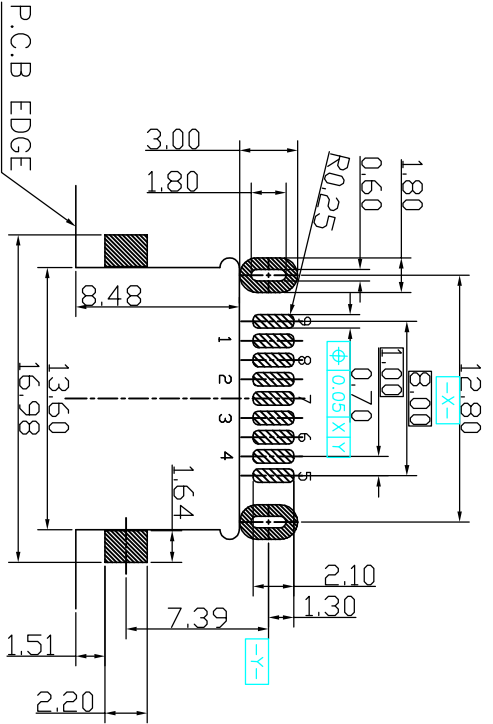
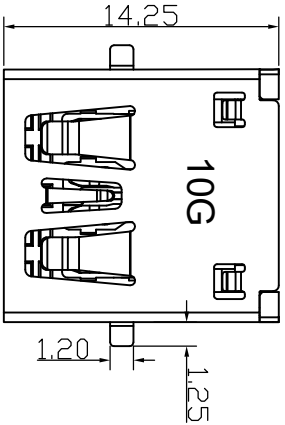
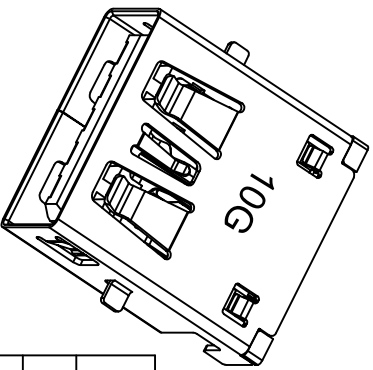
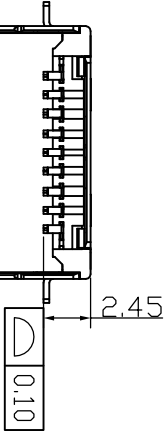
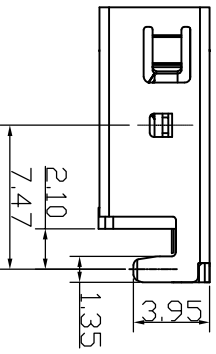
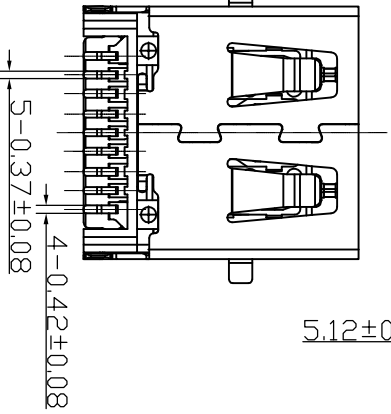
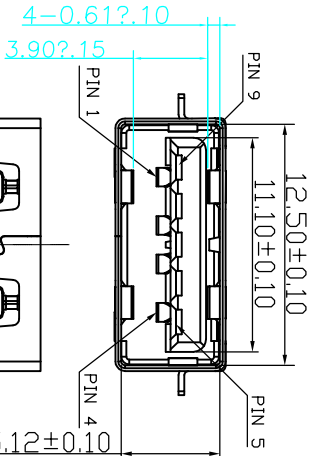


ROHS

客户图



P.C.B. EDGE  
RECOMMEND P.C.B LAYOUT (THICKNESS 1.2mm)  
(COMPONENT SIDE) TOLERANCE: 0.05mm



目錄 MAPX A0	變更內容 MODIFICATION NEW	日期 DATE 19-10-20
------------------	-----------------------------	------------------------

- NOTE:  
1 MATERIAL:  
1.1 INSULATOR HIGH TEMPERATURE PLASTIC UL 94 V-0;BLUE  
1.2 CONTACT: COPPER ALLOY CT=0.20mm)  
1.3 SHELL: SUS (T=0.30mm)  
2 ELECTRICAL CHARACTERISTICS;  
2.1 CONTACT RESISTANCE: 40mΩ Max  
2.2 CONTACT CURRENT RATING: 1.5A  
2.3 DIELECTRIC WITHSTANDING VOLTAGE: 500 V R.M.S.  
2.4 INSULATION RESISTANCE: 100 MEGOHMS Min  
2.5 OPERATING TEMPERATURE: -40° C ~ 85° C  
3 MECHANICAL CHARACTERISTICS:  
3.1 MATING FORCE: 35 N Max  
3.2 UNMATED FORCE: 10 N Min INITIAL; 8 N Min AFTER TEST  
3.3 DURABILITY: 5,000 CYCLES  
4. PLATING:  
4.1 TERMINAL CONTACT: GOLD PLATING ALL OVER 50μ" MIN NICKEL AND 80μ" MIN TIN ALL OVER 50μ" MIN NICKEL ON SOLDER AREA  
4.2 SHELL: 80μ" MIN. NICKEL ALL OVER  
4.3 Part number description:

PART NO: 8003F-0000003-X

SERIE: USB3.0

Receptacle  
serial number  
Variable

Pin #	SIGNAL NAME	DESCRIPTION	MATING SEQUENCE
1	VBUS	POWER	SECOND
2	D-	USB 2.0 DIFFERENTIAL PAIR	THIRD
3	D+	DIFFERENTIAL PAIR	THIRD
4	GND	GROUND FOR POWER RETURN	SECOND
5	SDA_SSRX-	SUPER SPEED RECEIVER DIFFERENTIAL PAIR	LAST
6	SDA_SSRX+	DIFFERENTIAL PAIR	LAST
7	GND_DRAIN	GROUND FOR SIGNAL RETURN	
8	SDA_SSTX-	SUPER SPEED TRANSMITTER DIFFERENTIAL PAIR	
9	SDA_SSTX+	DIFFERENTIAL PAIR	
	Shell	SHELL CONNECTOR METAL SHELL	FIRST

产品图

PRODUCT CHART DWG

公差一览表

TOLERANCE UNLESS OTHERWISE SPECIFIED	公差	公差	公差
X	±0.30	X	±5°
XX	±0.25	X	±2°
XXX	±0.20	XX	±1°
	±0.15	XXX	±0.5°

深圳市鑫风雷电子有限公司

Shenzhen xinfenglei Electronics Co., Ltd

单位 UNITS	MM	制图 DRAWING	王冠 Wangguan	产品料号 PRODUCT PART NO.	8003F-0000003-X
比例 SCALE	1:1	审核 CHECK	雷永健 Lei Yongjian	产品名称 PRODUCT NO.	USB3.0母座沉板3.3H-2.45 1-14.25
日期 DATE	2009/10/20	核准 APPRO	雷永健 Lei Yongjian	联系方式 Contact/Info	mailto:sale1@xfll.com www.xfll.com.com

此图由深圳鑫风雷电子有限公司

THIS IS PROPRIETARY TO XINFENGLI ELECTRONIC CO.,LTD AND SHOULD NOT BE USED WITHOUT WRITTEN PERMISSION