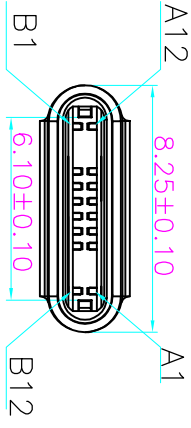
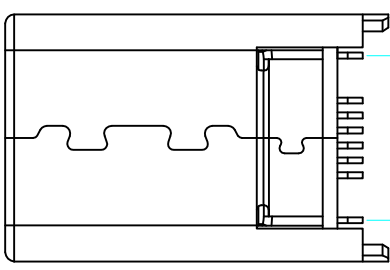
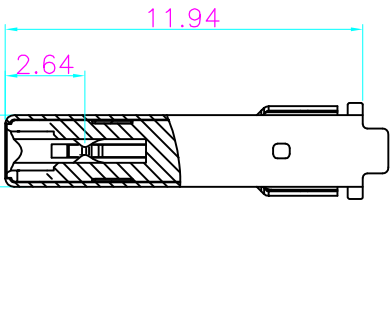
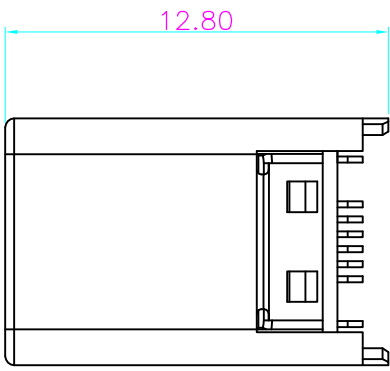
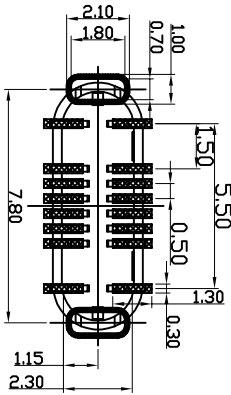
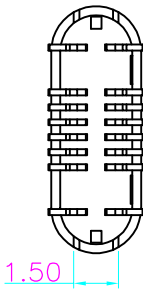


# RoHS

# 客户图

1 2 3 4 5 6 7 8 9 10

目錄 MAPX A0	設定內容 MODIFICATION NEW	日期 DATE 09-10-20
------------------	-----------------------------	------------------------



- NOTES:
- MECHANICAL:
    - MATING FORCE: 5-20N
    - UNMATING FORCE: 8-20N
    - DURABILITY: 10000 CYCLES MIN.
  - ELECTRICAL:
    - CURRENT: 5.0A MAX
    - VOLTAGE: 20V MAX
    - WITHSTANDING VOLTAGE: 100V AC
    - CONTACT RESISTANCE: 40 mΩ MAX INITIAL;  
50 mΩ MAX AFTER 10000 CYCLES
    - ENVIRONMENTAL  
OPERATING TEMPERATURE RANGE -30°C ~ +80°C

A1	GND	B12	GND
A2	B11	B10	
A3			
A4	VBUS	B9	VBUS
A5	CCI	B8	SBU2
A6	DP1	B7	DN2
A7	DN1	B6	DP2
A8	SBU1	B5	CC2
A9	VBUS	B4	VBUS
A10		B3	
A11	GND	B2	
A12	GND	B1	GND
PIN	SIGNAL NAME	PIN	SIGNAL NAME

PART NO.: 8001M-1600001-X

SERISE: TYPE C  
 PLUG  
 serial number  
 Variables

### 产品图

PRODUCT CHART DWG

### 公差一览表

TOLERANCE UNLESS OTHERWISE	公差
X	±0.30
XX	±0.25
XXX	±0.15

深圳市鑫风雷电子有限公司  
 Shenzhen xinfenglei Electronics Co., Ltd

单位 UNITS	MM	制图 DRAWING	王冠 Wangguan	产品料号 PRODUCT PART NO.	8001M-1600001-X
比例 SCALE	1:1	审核 CHECK	雷永健 Lei Yongjian	产品名称 PRODUCT NO.	TYPE C 16P公头180度SMT H=11.94
日期 DATE	2009/10/20	核准 APPD	雷永健 Lei Yongjian	联系方式 Mailbox/Weib	mailto:sale1@xfll.com www.xfll.com.cn