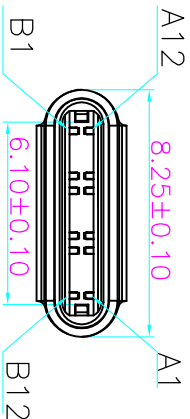
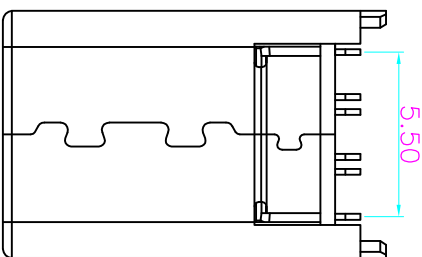
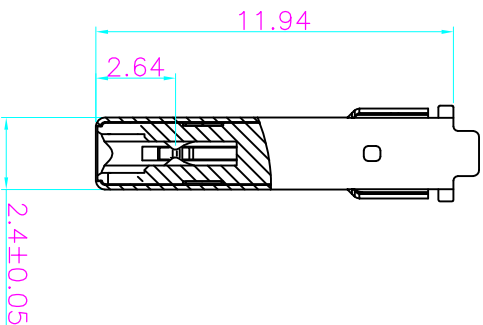
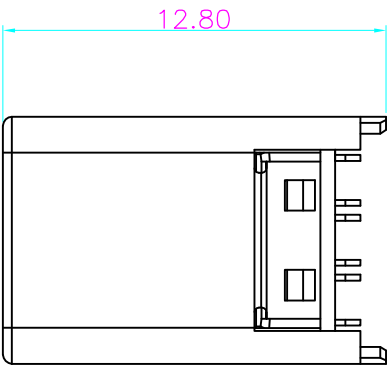
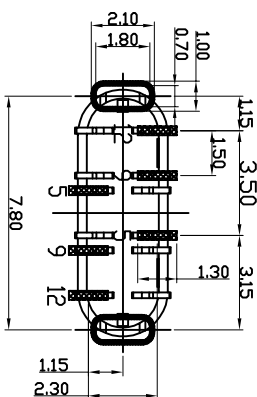
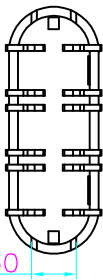


# RoHS 客户图



目錄 MAPX	变更内容 MODIFICATION	日期 DATE
A0	NEW	09-10-20

- NOTES:
- MECHANICAL:
    - MATING FORCE: 5-20N
    - UNMATING FORCE: 8-20N
    - DURABILITY: 10000 CYCLES MIN.
  - ELECTRICAL:
    - CURRENT: 5.0A MAX
    - VOLTAGE: 20V MAX
    - WITHSTANDING VOLTAGE: 100V AC
    - CONTACT RESISTANCE: 40 mΩ MAX INITIAL;
    - 50 mΩ MAX AFTER 10000 CYCLES
  - ENVIRONMENTAL
    - OPERATING TEMPERATURE RANGE -30°C ~ +80°C

A5	CC1	B12	GND
A9	VBUS	B9	VBUS
A12	GND	B5	CC2
PIN	SIGNAL NAME	PIN	SIGNAL NAME

PART NO.: 8001M-0600001-X

SERISE: TYPE C PLUG  
 serial number  
 Variables

产品图 PRODUCT CHART DWG		深圳市鑫风雷电子有限公司 Shenzhen xinfenglei Electronics Co., Ltd	
公差一览表 TOLERANCE UNLESS OTHERWISE		单位 UNITS	制图 DRAWING
X	±0.30	X	王冠 Wangguan
XX	±0.25	X	审核 SHEN
XX	±0.20	XX	雷永健 Lei Yongjian
.XXX	±0.15	XXX	雷永健 Lei Yongjian
		比例 SCALE	产品料号 PRODUCT PART NO.
		1:1	8001M-0600001-X
		日期 DATE	产品名称 PRODUCT NO.
		2009/10/20	TYPE C 6P公头180度SMT H=11.94
			联系方式 MAILBOX/WEB
			mailto:sale1@xfll.com www.xfll.com.com