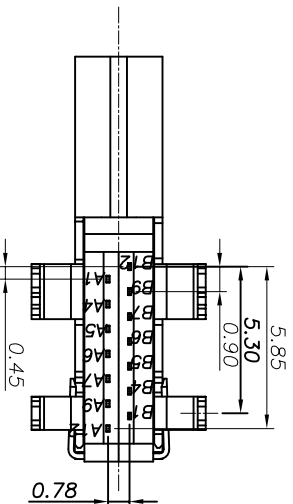
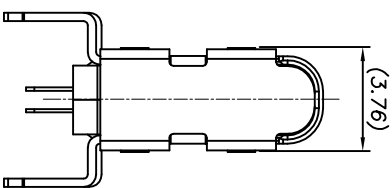
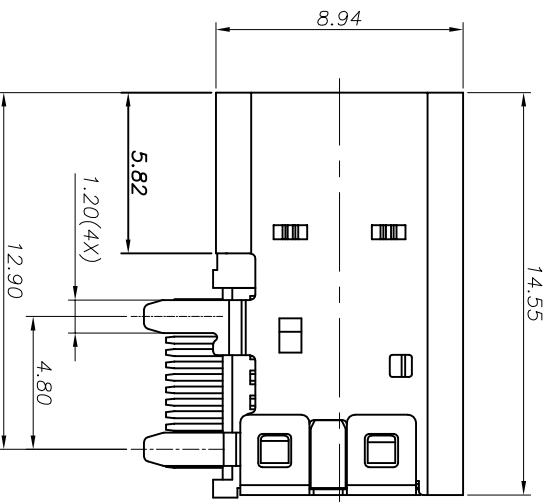
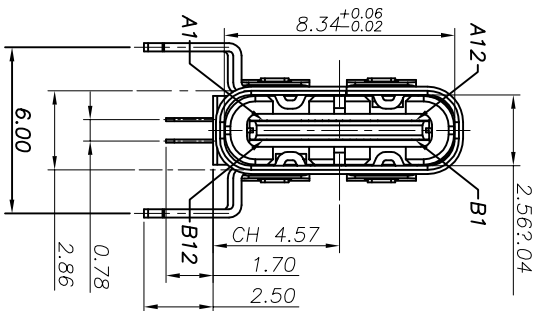
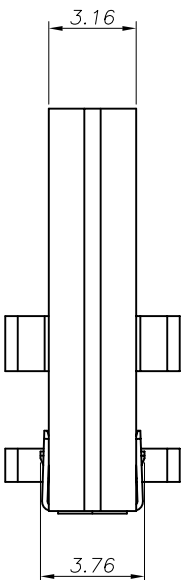


ROHS 客户图



目錄 MAPX	变更内容 MODIFICATION	日期 DATE
A0	NEW	09-10-20

NOTE:
1.MATERIAL SPECIFICATION:

- 1.HOUSING:HIGH TEMPERATURE RESISTANT PLASTIC,UL94 V-0.
- 2.TERMINAL: COPPER ALLOY
- 3.MID PLATE: STAINLESS STEEL
- 4.FRONT SHELL: STAINLESS STEEL
- 5.COVER: STAINLESS STEEL

2.PLATING SPECIFICATION:

- 2-1.TERMINAL:
Ni 50u" MIN. UNDER PLATED OVER ALL.
Au PLATED ON THE FUNCTIONAL AREA OF CONTACT.
(GOLD PLATING THICKNESS FOLLOW THE P/N)
- 2-2.FRONT SHELL:
PLATING SPECIFICATIONS OF THE SOLDER AREA FOLLOW THE P/N
- 2-3.MID PLATE&COVER:
Ni 30u" MIN. UNDER PLATED OVER ALL.
CLEAR ONLY

3.MECHANICAL PERFORMANCE,

- 3-1.INSERTION FORCE: 0.5~2.0kgf.
- 3-2.REMOVAL FORCE: 0.8kgf~2.0kgf.
- 3-3.DURABILITY: 10000 CYCLES.

4.ELECTRICAL PERFORMANCE,

- 4-1. VOLTAGE RATING:5 V DC/AC (RMS. max)
CURRENT RATING:5 AMPS. FOR TOTAL VBUS/GND PINS;
1.25AMPS FOR CC PIN,0.25 AMPS. FOR ALL OTHER CONTACT.
- 4-2. LCR:
VBUS & GND PINS AND OTHER PINS: 40mΩ/PIN MAX.
SHIELD: 50mΩ/MAX.
LCR MAX. CHANGE OF ALL PINS: 10mΩ.

4-3.INSULATION RESISTANCE: 100MΩ MIN

4-4.DIELECTRIC WITHSTAND VOLTAGE,AC 100V FOR 1 MINUTE.

5. ENVIRONMENTAL PERFORMANCE:

- 6.1R REFLOW:
OPERATING TEMPERATURE: -25#~+85#H.
THE PEAK TEMPERATURE ON THE BOARD SHALL BE MAINTAINED FOR 10 SECONDS AT 260°C.

PART NO: 8001F-1400002-C

SERISE: TYPE C

Receptacle

serial number

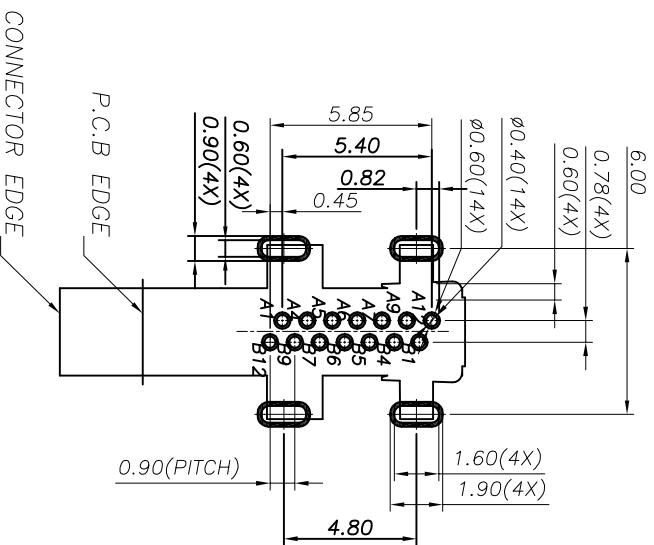
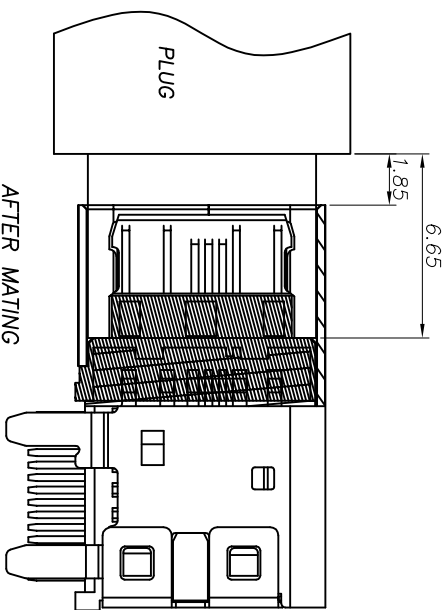
Variable

产品图
PRODUCT CHART DWG
公差一览表

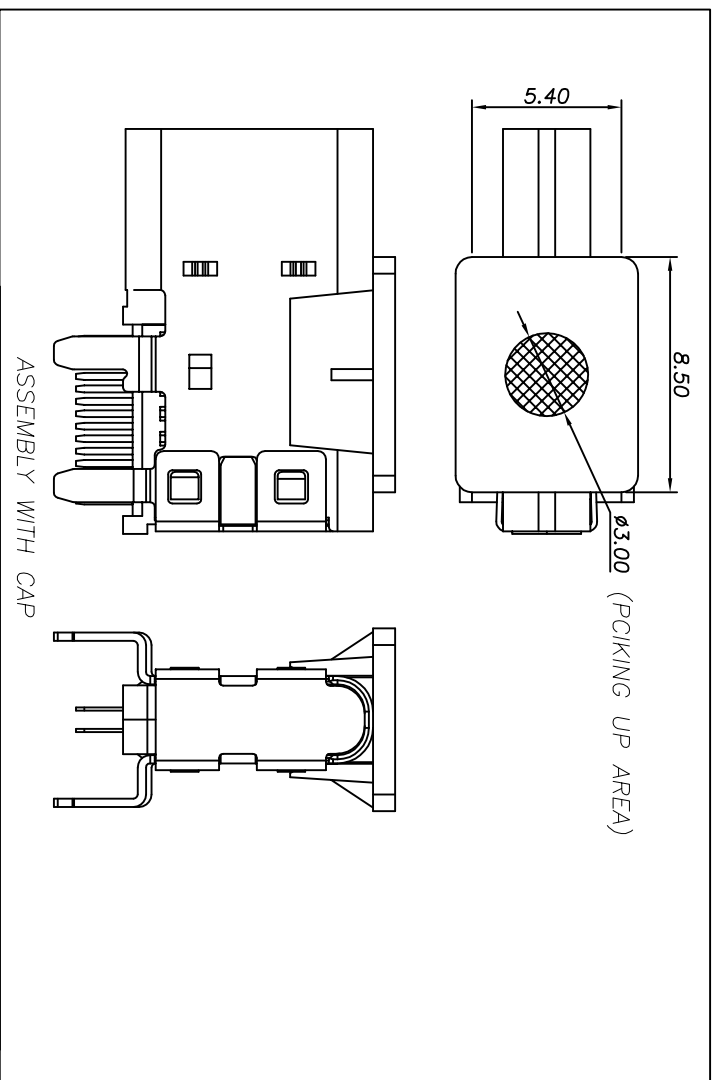
公差一览表	单位	MM	制图	王冠	产品料号	8001F-1400002-C
TOLERANCE UNLESS OTHERWISE	UNITS	MM	DRAWING	审核	PRODUCT PART NO.	
X ±0.30	X'	±5'	比例	1:1	SCALE	
X ±0.25	X'	±2'	核准	雷永德	PRODUCT NO.	TYPE C 14P 侧插母座K脚铁壳
XX ±0.30	XX'	±1'	日期	2009/10/20	APPROVAL	版本
XXX ±0.15	XXX'	±0.5'	DATE		VIEW	A0

深圳市鑫风雷电子有限公司
Shenzhen xinfenglei Electronic Co., Ltd

RoHS 客户图



CONNECTOR EDGE
RECOMMENDED PCB LAYOUT(TOP VIEW)
THICKNESS: 1.62; 1.0MM; DEFAULT TOLERANCE: ±0.05



USB TYPE-C PIN ASSIGNMENTS

PIN NUMBER	SIGNAL NAME	PIN NUMBER	SIGNAL NAME
A1	GND	B12	GND
A4	VBUS	B9	VBUS
A5	CC1	B7	Dn2
A6	Dp1	B6	Dp2
A7	Dn1	B5	CC2
A9	VBUS	B4	VBUS
A12	GND	B1	GND

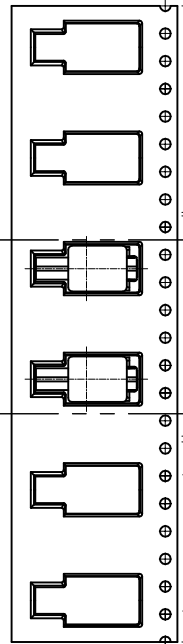
产品图
公差一览表
Shenzhen xinfenglei Electronic Co., Ltd

公差一览表	单位	MM	制图	王冠	产品料号	8001F-1400002-C
TOLERANCE UNLESS OTHERWISE	UNITS		DRAWING		PRODUCT PART NO.	
X ±0.30	X'	±5'	审核	雷永健	产品名称	TYPE C 14P 侧插母座K脚铁壳
.X ±0.25	.X'	±2'	核准	雷永健	PRODUCT NO.	
.XX ±0.30	.XX'	±1'	日期	2009/10/20	角法	
.XXX ±0.15	.XXX'	±0.5'	DATE	APPD	版本	A0

目录	变更内容	日期
MAPX	MODIFICATION	DATE
A0	NEW	09-10-20

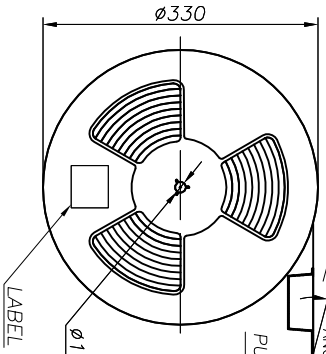
RoHS 客户图

REEL OFF SECTION (15 POCKETS) 300PCS PULL OUT DIRECTION (15 POCKETS)

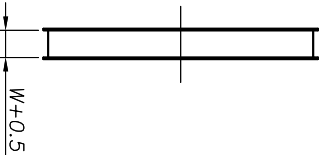


SEE DETAIL X

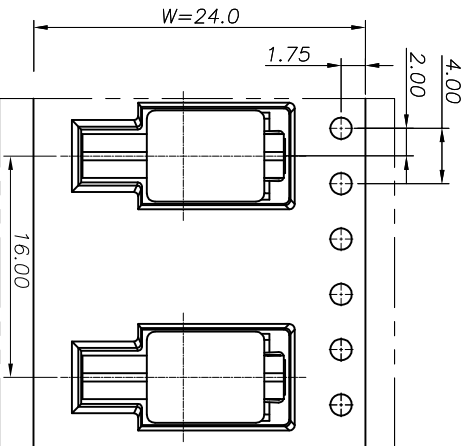
PEELING DIRECTION
PEELING ANGLE 165°~180°



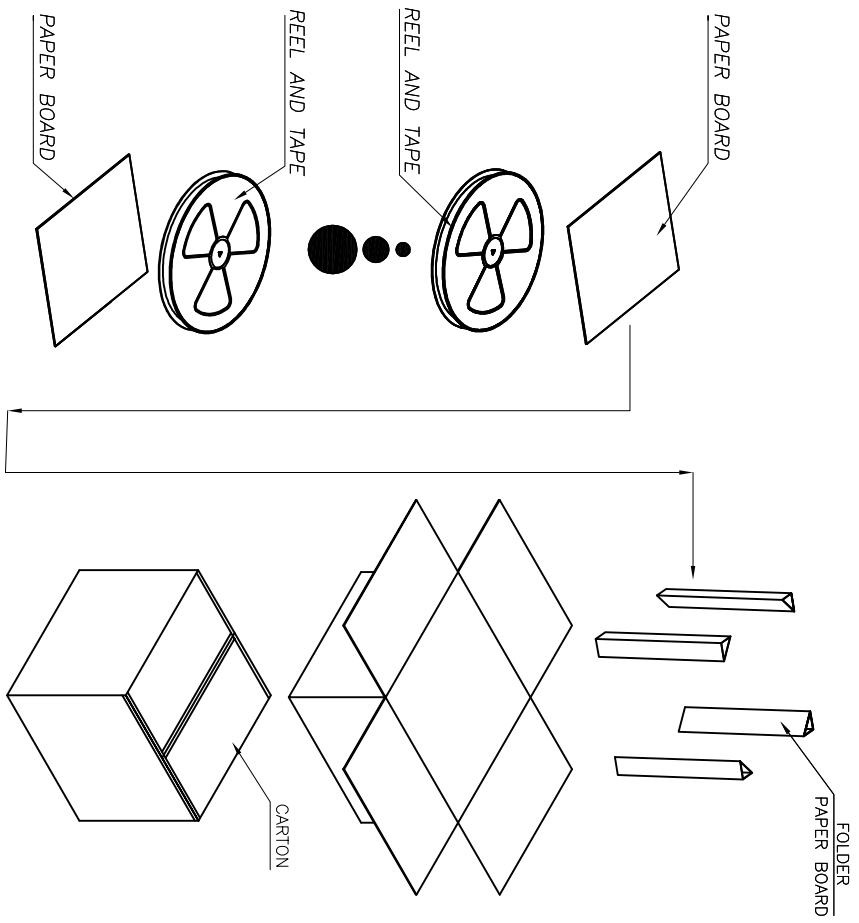
PULL OUT DIRECTION



REEL OFF DIRECTION



PULL OUT DIRECTION



CONNECTOR (PCS)	REEL	CARTON
	300	2400

深圳市鑫风雷电子有限公司
Shenzhen xinfenglei Electronic Co., Ltd

PRODUCT CHART DWG		单位		MM		制图		王冠		产品料号		8001F-1400002-C	
公差一览表		UNITS		MM		DRAWING		审核		雷永德		产品名称	
TOLERANCE UNLESS OTHERWISE		SCALE		1:1		CHD		核准		雷永德		TYPE C 14P 侧插母座K脚铁壳	
X ±0.30		X'		±5'		日期		2009/10/20		角法		版本	
X ±0.25		X''		±2'		APPD		APPD		角法		版本	
XX ±0.30		XX'		±1'		DATE		2009/10/20		角法		版本	
XXX ±0.15		XXX'		±0.5'		DATE		2009/10/20		角法		版本	

此图由产品制作教育版制作

由Autodesk教育版产品制作