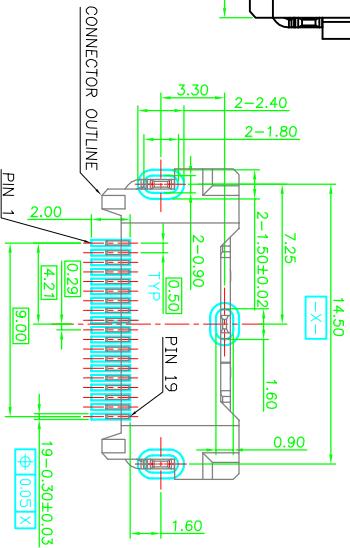
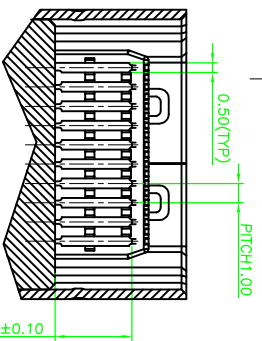
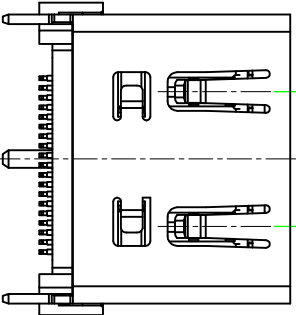
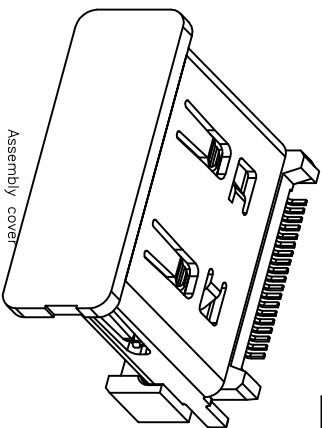
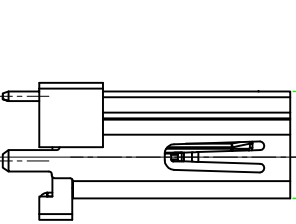
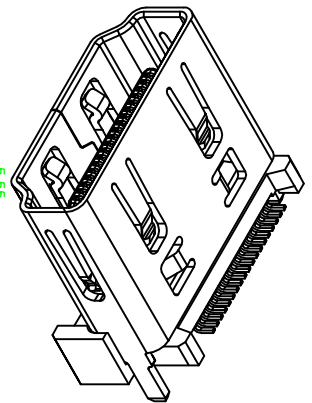
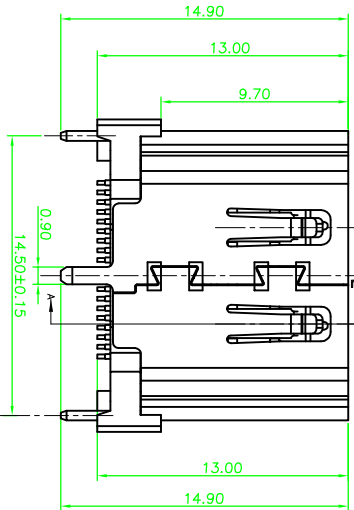
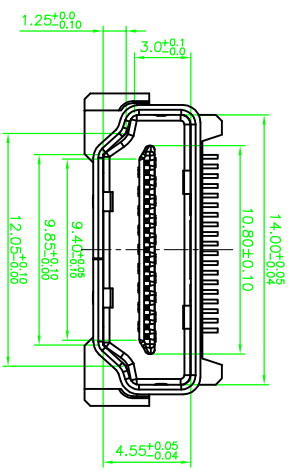
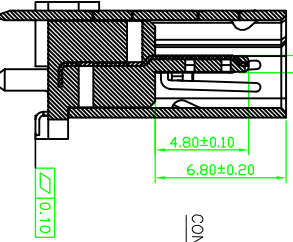


ROHS 客户图



RECOMMENDED P.C.B. LAYOUT (11.20-1.60mm)
TOLERANCE UNSPECIFIED ±0.05mm



SECTION-B-B

SECTION-A-A

产品图

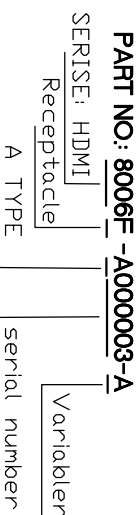
PRODUCT CHART DWG

公差一览表

TOLERANCE UNLESS OTHERWISE	X	X'	X''	X'''
XXX	±0.15	±0.20	±0.25	±0.5

深圳市鑫风雷电子有限公司
Shenzhen xinfenglei Electronics Co., Ltd

单位 UNITS	MM
比例 SCALE	1:1
日期 DATE	2009/10/20



PART NO: 8006F-A000003-A

PIN	Signal Assignment	PIN	Signal Assignment
1	TMDS Data2+	2	TMDS Data2 Shield
3	TMDS Data2-	4	TMDS Data1+
5	TMDS Data1 Shield	6	TMDS Data1-
7	TMDS Data0+	8	TMDS Data0 Shield
9	TMDS Data0-	10	TMDS Clock+
11	TMDS Clock Shield	12	TMDS Clock-
13	CEC	14	Utility
15	SCL	16	SDA
17	DDC/CEC Ground	18	+5V Power
19	Hot Plug Detect		

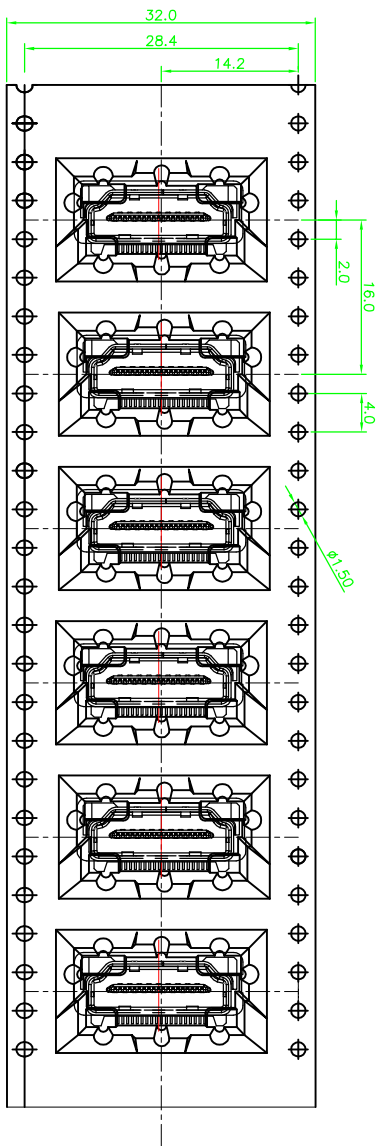
- NOTES:
- MATERIAL:
 - 1-1 HOUSING: LCP WITH 30% G/F UL 94V-0 COLOR: BLACK.
 - 1-2 CAP: LCP WITH 30% G/F UL 94V-0 COLOR: BLACK.
 - 1-3 TERMINAL: COPPER ALLOY T=0.20mm
 - 1-4 SHELL: SPC/ COPPER ALLOY T=0.50mm
 - PLATING:
 - 2-1 TERMINAL: (SEE P/N) GOLD PLATED ON CONTACT AREA AND 100μ" MIN. MATTE-TIN ON SOLDER TAIL, WITH ENTIRE CONTACT UNDERPLATED 80μ" MIN. NICKEL.
 - 2-2 SHELL: 50μ" MIN. NICKEL PLATED.
 - 3-1 INSERTION FORCE: 4.5kgf MAX REMOVAL FORCE: 1kgf MIN; 4.0kgf MAX DURABILITY: 5000 CYCLES
 - ELECTRICAL PERFORMANCE:
 - 4-1 Current Rating: 0.5A
 - 4-2 Voltage Rating: 40V AC
 - 4-3 CONTACT RESISTANCE: INITIAL 30mΩ MAX. AFTER TEST: 10 mΩ MAX
 - 4-4 DIELECTRIC STRENGTH: UNMATED CONNECTORS APPLY 500V AC MATED CONNECTOR APPLY 300V AC
 - 4-5 INSULATION RESISTANCE: 100 MEGAΩHS MIN. (UNMATED) 10 MEGAΩHS MIN. (MATED)
 - ENVIRONMENTAL PERFORMANCE:
 - OPERATING TEMPERATURE: -25°C~+85°C
 - SALT SPRAY: 2:4H

1 2 3 4 5 6 7 8 9 10

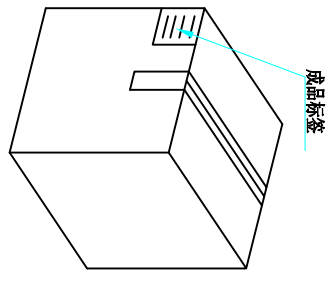
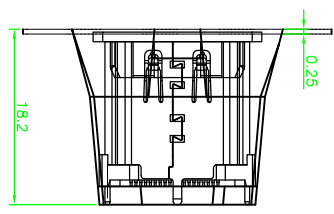
ROHS

客户图

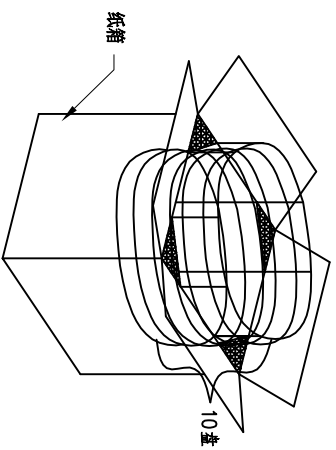
目錄 MAPX A0	變更內容 MODIFICATION NEW	日期 DATE 09-10-20
------------------	-----------------------------	------------------------



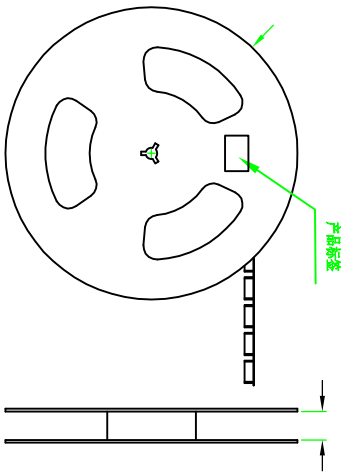
NO.1



成品标签
纸箱规格: 39.5*39.5*38cm
NO.4



NO.3



NO.2

1. 包装要求:
- 1.1 每卷包装300pcs, 卷带前 后各空出10pcs位置;
 - 1.2 每10盘放一箱, 共计3ksets;
 - 1.3 纸箱外贴上标签

备注:

- 1. 若有未装满之零数, 必须用泡棉塞满。
- 2. 针对于包装方式可根据客户要求包装。

公差一览表		单位		比例		日期	
TOLERANCE UNLESS OTHERWISE		UNITS		SCALE		DATE	
X	±0.30	X'	±5'	1:1	2009/10/20		
X	±0.25	X'	±2'				
.XX	±0.20	.XX'	±1'				
.XXX	±0.15	.XXX'	±0.5'				

PRODUCT CHART DWG	产品图	制图	王冠	产品料号	8006F-A000003-A
Shenzhen xinfenglei Electronics Co., Ltd	深圳市鑫风雷电子有限公司	审核	雷永健	产品名称	DOMI A TYPE 19P 母座80度立式SMT 1#13.0 脚99片
		核准	雷永健	联系方式	mailbox: sale1@xfll.com.com
		Appd	Leiyongjian	联系方式	www_xfll.com.com