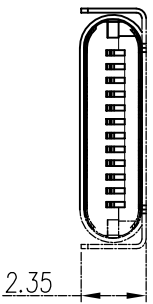
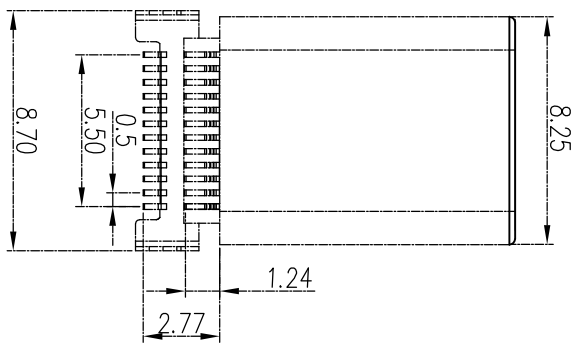
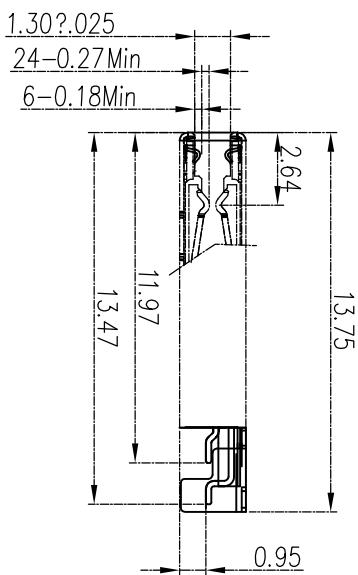
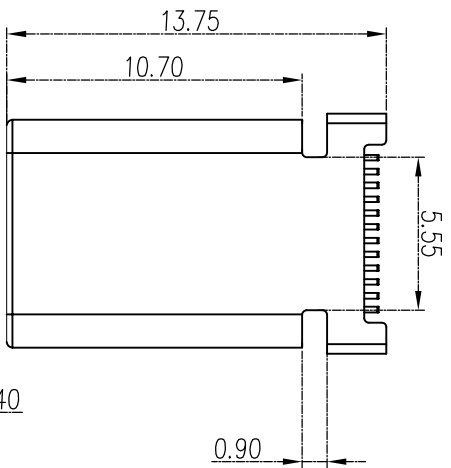
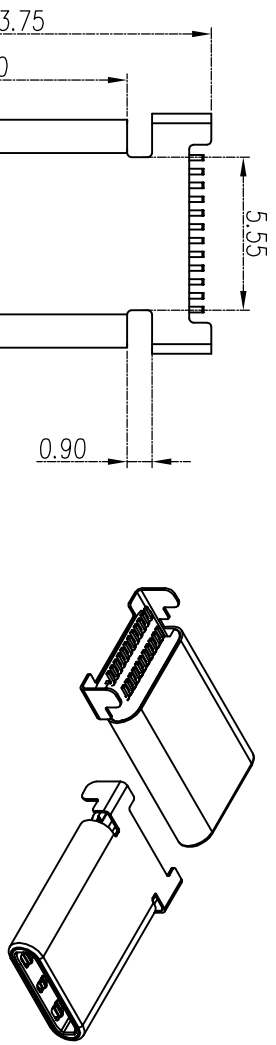


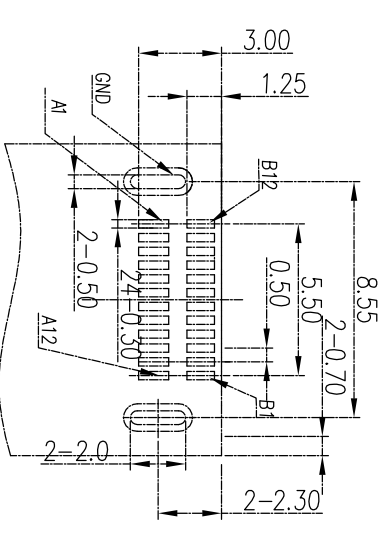
# RoHS 客户图

目錄 MAPX	变更内容 MODIFICATION	日期 DATE
A0	NEW	09-10-20



- NOTE:
- 1.MATERIAL:
- 1.1 INSULATOR: HIGH TEMPERATURE PLASTIC UL 94 V-0;
  - 1.2 CONTACT: COPPER ALLOY(T=0.20mm)
  - 1.3 SHELL: STEEL(T=0.15mm)
- 2.ELECTRICAL CHARACTERISTICS:
- 2.1 CONTACT RESISTANCE: 40mΩ Max FOR INITIAL, 10mΩ CHANGE AFTER TEST. MEASURE AT 20mV, 100mA.
  - 2.2 CONTACT CURRENT RATING: 5A Max FOR VBUS/GND PIN; 0.9A Max FOR Other PIN.
  - 2.3 DIELECTRIC WITHSTANDING VOLTAGE: 100V AC R.M.S.
  - 2.4 INSULATION RESISTANCE 100MΩ Min
  - 2.5 OPERATING TEMPERATURE: -40C~85C
- 3.MECHANICAL CHARACTERISTICS:
- 3.1 MATING FORCE: 5~20 N.
  - 3.2 UNMATED FORCE: 6~20N AFTER TEST
  - 3.3 DURABILITY: 10,000 CYCLES, 500 CYCLES/H
- 4.PLATING
- CONTACT: CONTACT AREA PLATING Au 1~30u", SOLDER AREA PLATING 80~120u" MATTING Sn.
- SHELL/SPRING/BUCKLE:20u" Min PLATING OVER ALL

A12	A11	A10	A9	A8	A7	A6	A5	A4	A3	A2	A1	
GND	Rx2	Rx2	-	Vbus	SBUS1	D-	D+	CC	Vbus	TX1-	TX1+	GND
GND	TX2+	TX2-	-	Vbus	Vscom1	-	-	SBUS2	Vbus	Rx1-	Rx1+	GND
B1	B2	B3	B4	B5	B6	B7	B8	B9	B10	B11	B12	



Recommended P.C.B Layout  
Tolerance ±0.05

产品图 PRODUCT CHART DWG		深圳市鑫风雷电子有限公司 Shenzhen xinfenglei Electronics Co., Ltd	
公差一览表 TOLERANCE UNLESS OTHERWISE		单位 UNITS	MM
X	±0.30	X	±5°
X	±0.25	X	±2°
XX	±0.20	XX	±1°
XXX	±0.15	XXX	±0.5°
日期 DATE		2009/10/20	
制图 DRAWING		王冠 Wangguan	产品料号 PRODUCT PART NO
审核 CHECK		雷永健 Lei Yongjian	产品名称 PRODUCT NO
批准 APPD		雷永健 Lei Yongjian	联系方式 Mailbox: sale1@xfll.com.com www.xfll.com.com
			8001M-2400037-X