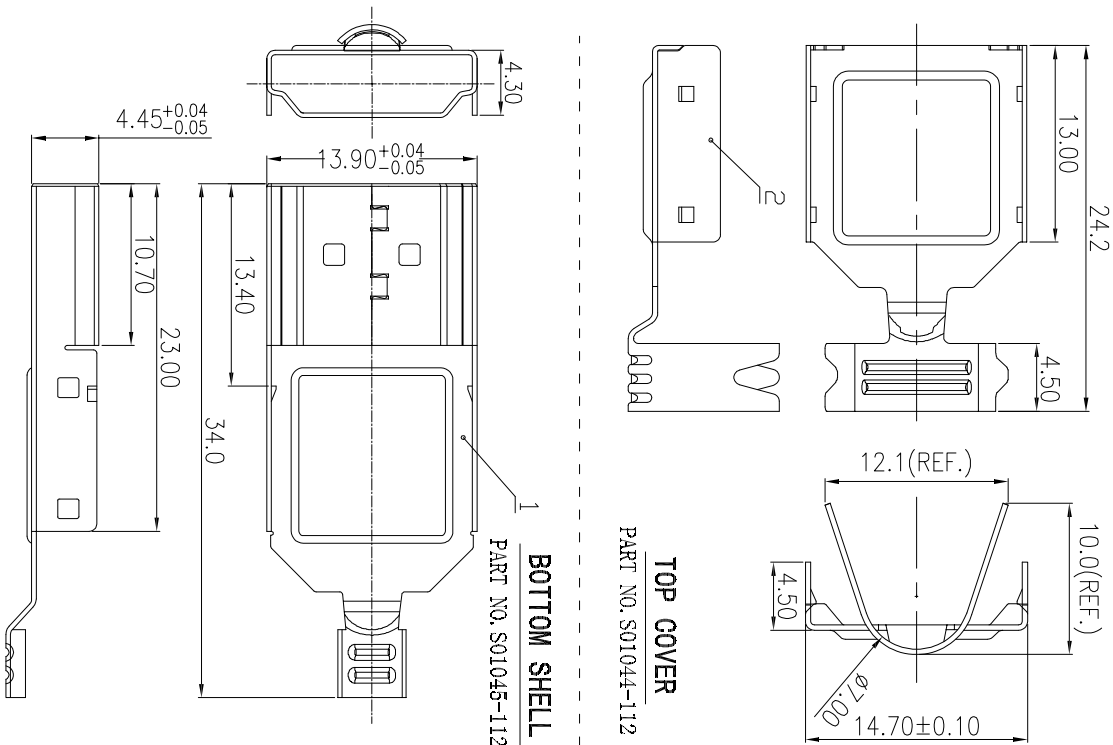
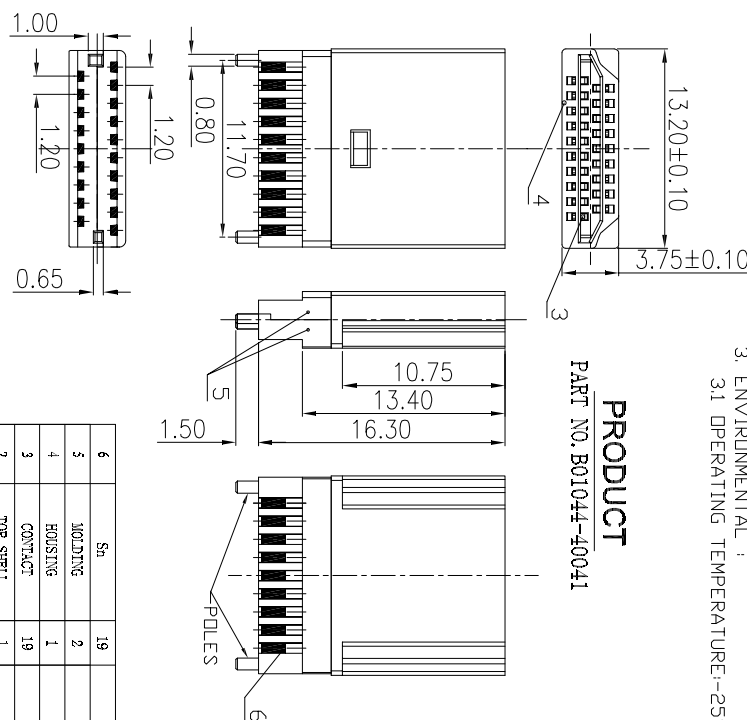


RoHS 客户图



TOP COVER
PART NO. S01044-112

BOTTOM SHELL
PART NO. S01045-112



PRODUCT
PART NO. B01044-40041

- NOTE:
- MECHANICAL :
 - INSERTION FORCE :44.1 N(4.5kgf) Max.
 - WITHDRAWAL FORCE :9.8 N(1.0kgf) Min. ,39.2N(4.0kgf) Max.
 - ELECTRICAL :
 - CONTACT CURRENT RATING: 0.5A MIN.
 - VOLTAGE RATING :40V AC (rms)
 - WITHSTANDING VOLTAGE: 500 VAC FOR 1 MINUTE.
 - INSULATION RESISTANCE: 100 MEGOHMS MIN.
 - CONTACT RESISTANCE: 30 MILLIOHMS MAX.
 - ENVIRONMENTAL :
 - OPERATING TEMPERATURE:-25°C TD +85°C

ITEM	PART NAME	QTY.	MATERIAL	REMARK
1	BOTTOM SHELL	1	COPPER ALLOY & SPEC	INFORM & GOLD PLATED
2	TOP SHELL	1	SPEC	INFORM PLATED
3	CONTACT	19	COPPER ALLOY	INSERTION AND WITHDRAW FORCE TESTED IN THE SOURCE AREA
4	HOUSING	1	LCP, BLACK	
5	MOUNTING	2	LCP, BLACK	
6	Sn	19	Sn	

深圳市鑫风雷电子有限公司

公差一览表 TOLERANCE UNLESS OTHERWISE SPECIFIED		单位 UNITS	比例 SCALE	日期 DATE	制图 DRAWING	审核 CHKD	核准 APPD	产品料号 PRODUCT PART NO.	产品名称 PRODUCT NO.	角法 VIEW	版本 VER
X	±0.30	X'	±5'		王冠	雷永健	雷永健	00507-HDMIAM2-X	HDMI A TYPE公头长体三件套L-34	⊕	A0
XX	±0.25	X''	±2'								
XXX	±0.30	XX'	±1'								
XXX	±0.15	XXX'	±0.5'	2009/10/20							