

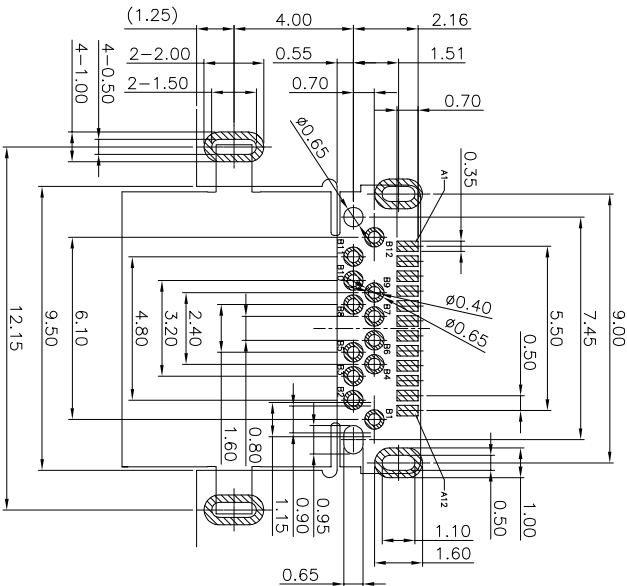


1 2 3 4 5 6 7 8 9 10

# RoHS

## 客户图

目錄 MAPX	變更內容 MODIFICATION	日期 DATE
A0	NEW	09-10-20



RECOMMEND P.C.B LAYOUT(COMPONENT SIDE)  
TOLERANCE FOR PCB LAYOUT IS ± 0.05  
KEEP OUT AREA

USB TYPE-C FULL-FEATURED RECEPTACLE INTERFACE PIN ASSIGNMENTS

PIN	Signal Name	Description	PIN	Signal Name	Description
A1	GND	Ground return	B12	GND	Ground return
A2	SS1Txp1	Positive half of first SuperSpeed TX differential pair	B11	SSRxp1	Positive half of first SuperSpeed RX differential pair
A3	SS1Txm1	Negative half of first SuperSpeed TX differential pair	B10	SSRkm1	Negative half of first SuperSpeed RX differential pair
A4	Vbus	Bus Power	B9	Vbus	Bus Power
A5	CC1	Configuration Channel	B8	SBR2	Sideband Use (SBU)
A6	Dp1	Positive half of the USB 2.0 differential pair-Position 1	B7	Dn2	Negative half of the USB 2.0 differential pair-Position 2
A7	Dn1	Negative half of the USB 2.0 differential pair-Position 1	B6	Dp2	Positive half of the USB 2.0 differential pair-Position 2
A8	SBU1	Sideband Use (SBU)	B5	CC2	Configuration Channel
A9	Vbus	Bus Power	B4	Vbus	Bus Power
A10	SSRkm2	Negative half of second SuperSpeed RX differential pair	B3	SS1Txm2	Negative half of second SuperSpeed TX differential pair
A11	SSRxp2	Positive half of second SuperSpeed RX differential pair	B2	SS1Txp2	Positive half of second SuperSpeed TX differential pair
A12	GND	Ground return	B1	GND	Ground return

### 产品图

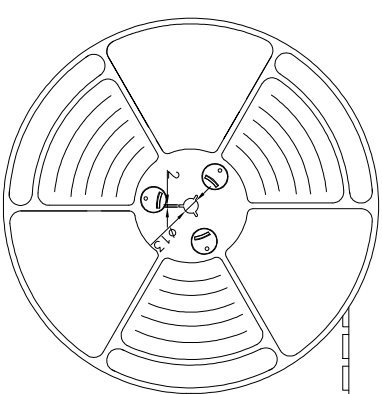
PRODUCT CHART DWG

### 深圳市鑫风雷电子有限公司

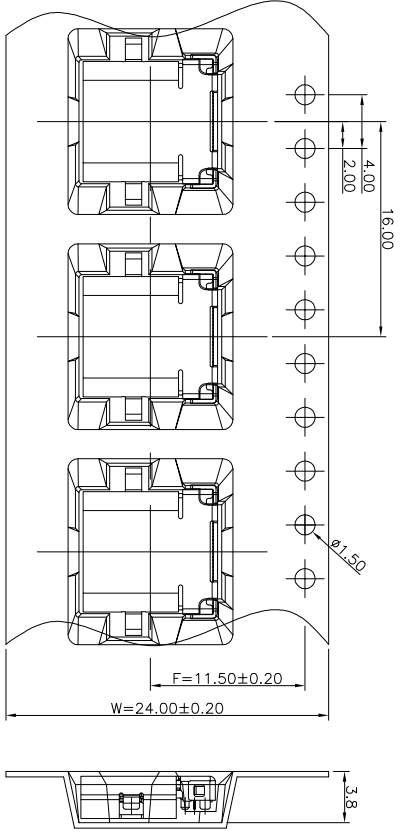
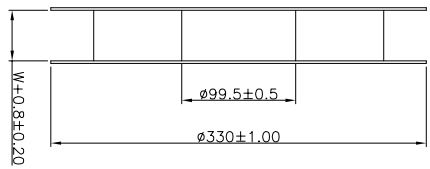
公差一览表 TOLERANCE UNLESS OTHERWISE SPECIFIED		单位 UNITS	MM	制图 DRAWING	王冠	产品料号 PRODUCT PART NO.	19012-UCAF005-A
X	±0.30	X'	±5'	审核 CHKD	雷永健	产品名称 PRODUCT NO.	TYPE C 24PIN 母座 2.7X2.0 垂直插孔 间距0.6 1.8-65 (带A)
.XX	±0.20	.XX'	±2'	核准 APPD	雷永健	角法 VIEW	
.XXX	±0.15	.XXX'	±0.5'	日期 DATE	2009/10/20	版本 VER	A0

# RoHS 客户图

目錄 MAPX	變更內容 MODIFICATION	日期 DATE
A0	NEW	09-10-20

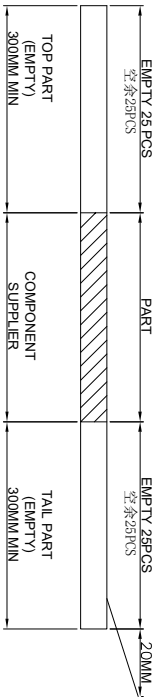


出料方向  
PULL OUT DIRECTEON

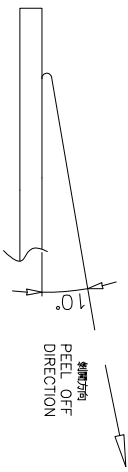


### NOTES

- 帶子引導長度  
LEAD TAPE LENGTH  
出料方向  
PULL OUT DIRECTEON



- 上帶 剝力為: 0.1~1.3N(10.2gf~130gf)  
PEELING OFF FORCE OF TOP TAPE:0.1~1.3N(10.2gf~130gf)  
出貨運輸過程中一定注意:  
THIS REQUIREMENT SHOULD BE APPLIED AT SHIPMENT:  
卷帶在運輸過程中不能散開  
PEELING OFF SHOULD NOT BE ALLOWED DURING TRANSPORTATION



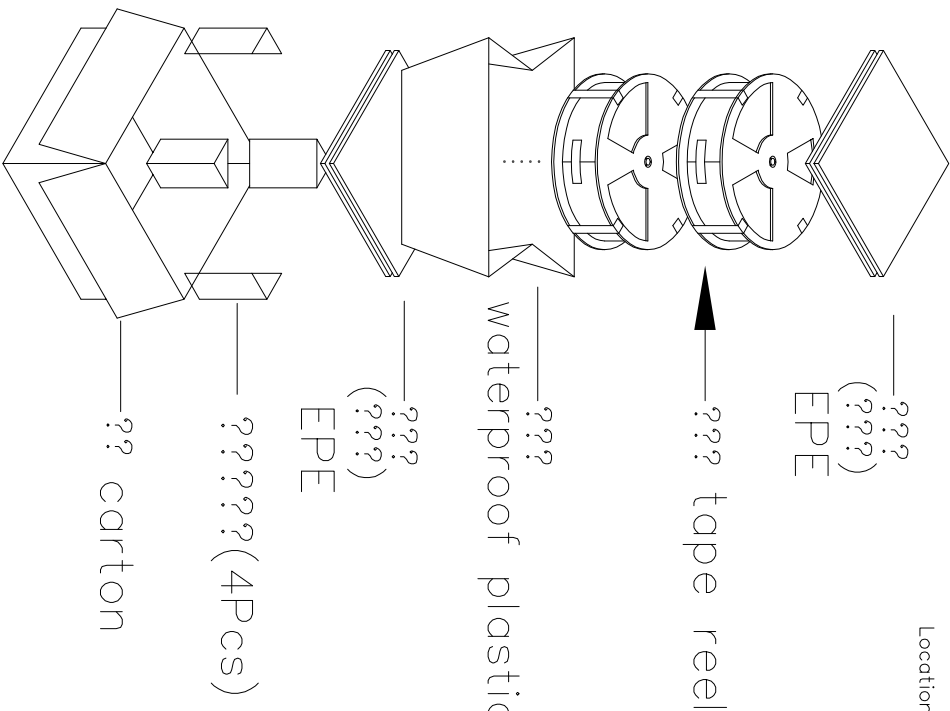
### 產品圖

## 深圳市鑫风雷电子有限公司

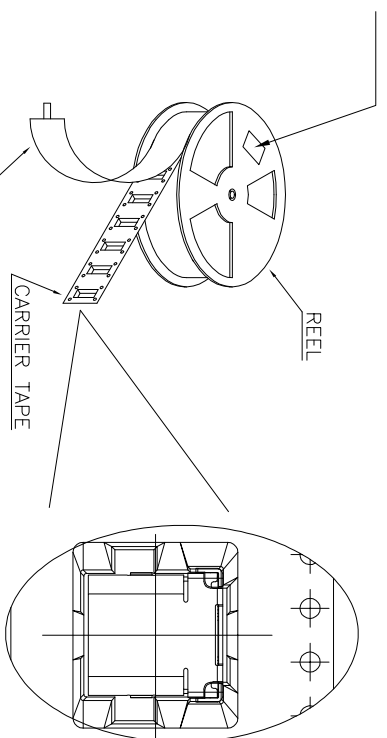
公差一览表 TOLERANCE UNLESS OTHERWISE		單位 UNITS	MM	制圖 DRAWING	王冠	產品料號 PRODUCT PART NO.	19012-UCAF005-A
X	±0.30	X'	±5'	審核 CHECK	雷永健	產品名稱 PRODUCT NO.	TYPE C 24P 帶殼 2.7 2X 2X 帶殼 0.6 1.8-65 (帶殼)
XX	±0.20	XX'	±2'	核准 APPR	雷永健	角法 VIEW	版本 VER
XXX	±0.15	XXX'	±0.5'	日期 DATE	2009/10/20		A0

# RoHS 客户图

目錄 MAPX A0	設定內容 MODIFICATION NEW	日期 DATE 09-10-20
------------------	-----------------------------	------------------------



at small positioning hole of the carrier tape side).  
 Location of label sticking (label



NOTE:  
 1. 每捲包裝數量及每箱裝箱數量如左下表格。  
 Packing qty of each reel & carton as below table shown.

2. 以上膠帶覆蓋下包裝帶經包裝機熱熔包裝 Use cover tape to cover and hot melt machine to seal up.
3. 每個紙箱放2個珍珠棉 Every carton use 2pcs EPE.
4. 將裝滿產品的卷盤放入紙箱並以膠帶封口 Put reels in the carton and use adhesive tape to seal up.

1000	10	10000 PCS	-- KG	-- KG
PCS/ REEL	REELS/ CARTON	QUANTITY	GROSS WEIGHT	NET WEIGHT

產品圖 PRODUCT CHART DWG		單位 UNITS		MM	制圖 DRAWING	王冠	產品料號 PRODUCT PART NO.	19012-UCAF005-A
公差一覽表 TOLERANCE UNLESS OTHERWISE		X	±0.30	X	±5°	審核 CHKD	產品名稱 PRODUCT NO.	TYPE C 24Pin 磁珠 2.7KΩ 表面貼片電阻 0603 (帶A)
		XX	±0.20	XX	±2°	核准 APPD	角法 VIEW	
		.XXX	±0.15	XXX	±0.5°	日期 DATE	版本 VER	
						2009/10/20		A0

## 深圳市鑫風雷電子有限公司